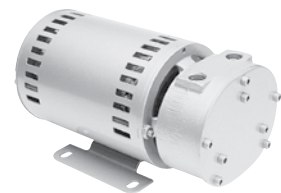
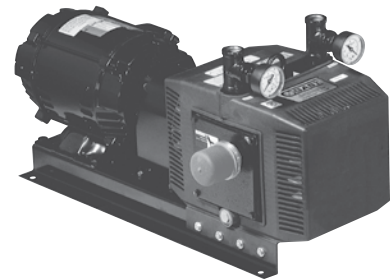


Rotary Vane Compressors and Vacuum Pumps



The Gast Group Difference

For over 90 years, Gast Manufacturing has been providing innovative air solutions to a broad breadth of customers. With the relatively recent addition of JUN-AIR, we have expanded our capabilities and formed, “The Gast Group.” Together, our diverse engineering background and pneumatic experience allow us to provide both component and system solutions to meet all of your pneumatic needs. And, all backed by our strong commitment to quality and customer support.

Products for Almost Any Application – Worldwide

We offer an extensive and versatile line of air-moving products, including vacuum pumps, compressors, air motors, gearmotors, vacuum generators, and regenerative blowers. We design and build these components for original equipment manufacturers worldwide, but we also develop complete pneumatic solutions to solve tough customer challenges.

To ensure fast, efficient delivery of products, Gast has a vast network of sales representatives/distributors throughout the United States and the world. Plus, we maintain direct sales and service facilities in Europe, Hong Kong, and Shanghai, China.

Unparalleled Design Expertise

Unlike other manufacturers, who might expect you to modify your pneumatic system to fit their available product(s), Gast is committed to finding the right product to meet your specific needs. If we don't have a high-quality, off-the-shelf product to fit your existing application or meet your anticipated needs, we'll propose customized cost-effective design options that will serve your special requirements. We can even develop and produce your complete pneumatic system for you.

Our experienced Research and Development engineers and Product engineers work together to analyze customer needs and use computer-aided design to generate timely solutions for air-handling problems. The design team has one goal: to create problem-solving solutions that capitalize on the latest available technology, meet all application requirements, and benefit from cost-effective production methods. The end result: products and solutions that are the best value in the marketplace for our customers.

A Lasting Commitment to Quality

We invest heavily in both equipment and people to maintain the consistent quality for which our products are known worldwide, and we have done so since day one. As early as 1983, we implemented a total quality process designed to ensure the quality of our products. In keeping with that tradition, Gast has achieved ISO 9001 certification, making us a member of the elite group of manufacturing companies in the world to receive that certification.

European Community Directives

With extensive sales outside the United States, Gast has pledged to conform to the European Community Directives. These directives contain essential requirements concerning health, safety, environment, and consumer protection for all products targeted for the European Community market. Currently, all Gast products available for sale in the European Community are in compliance with the Machinery, Low Voltage, and Electromagnetic Compatibility Directives.

Pictorial and dimensional data is subject to change without notice. The information presented is based on technical data and test results of nominal units. It is believed to be accurate and is offered as an aid in the selection of Gast products. It is the user's responsibility to determine suitability of the product for intended use and the user assumes all risk and liability whatsoever in connection therewith. Environmental and application conditions may affect advertised life.

Why use a Rotary Vane Pump?

Rotary Vane vacuum pumps and compressors have certain significant advantages. In addition to providing smooth, pulse-free air flow without receiver tanks, they are compact (or equivalently offer high flow capacities for a given size), are simple and economical to install and operate, have low starting and running torque requirements, produce minimal noise or vibrations, are capable of long, service-free life, and are easily serviced.

If these features are what you need in your pneumatic application, a Gast Rotary Vane model can provide you the right solution.

Reliable

The moving parts consist of an actuating rod supported by two special synthetic rubber diaphragms. They oscillate laterally, permitting a minimum of 30,000 hours of continuous operation on many models. Other than the occasional filter cleaning, operation is virtually maintenance-free. Replacement parts come in a cassette.

Quiet

Sound insulation was a prime consideration in the design of the pneumatic circuit and mechanical section. The result: a surprisingly low operating noise level – as low as 38 dB(a).

Energy Efficient

Operation is based upon the principles of electromagnetic oscillation. It eliminates the need for sliding parts, minimizing power consumption.

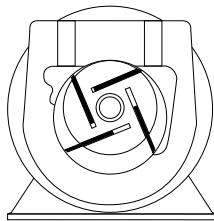
Clean Air

Because there are no sliding parts there is no need for lubrication. An added advantage: the exhausted air is always clean and particle-free.

Smooth Flow

Uniform exhaust rate and minimal pulsation make the Linear products ideal for applications requiring consistent air pressure and supply.

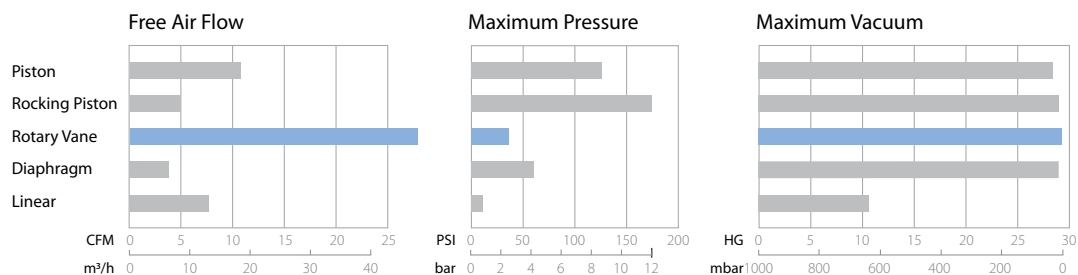
How Does a Rotary Vane Pump Work?



Pumping action is produced by a series of sliding, flat vanes as they rotate in a cylindrical housing. As the diagram shows, an eccentrically mounted rotor turns and the individual vanes slide in and out of their slots by centrifugal and pressure-loading forces. This creates a series of air compartments of unequal volume against the wall of the housing. These compartments get larger during the suction part of the cycle, creating vacuum at the intake port and smaller during the discharge portion of the cycle, creating pressure at the exhaust port.

The vacuum and pressure flows are free of pulsation because the inlet and exhaust ports do not have valves, and the air is moved continuously rather than intermittently.

Gast Rotary Vane and Vacuum Pumps Performance*



*Shown here are performance ranges of our positive displacement models. Performance shown on inside charts is for continuous operation. Higher performance is possible on an intermittent basis (10 min. on/10 min. off) for some of the models listed. Please consult our Factory.

Rotary Vane Performance Overview

MODEL/SERIES	POWER RATING @ 60 Hz		FREE AIR FLOW				MAXIMUM PRESSURE		MAXIMUM VACUUM		Page No.
	hp	kW	CFM		m ³ /h		psi	bar	inHg	mbar	
			50 Hz	60 Hz	50 Hz	60 Hz					
Motor Mounted											
1531	1/10		1.25	.15		2,5	15	1,0	20	335	7
0532	1/15	0,05	.29	.6	0,49	1,0	15	1,0	20	335	8
1032	1/15	0,05	.92	1.1	1,56	1,9	10	0,7	20	335	8
1532	1/10	0,07	1.3	1.5	2,2	2,5	10	0,7	20	335	8
2032	1/8	0,09	2.0	2.4	3,4	4,1	10	0,7	26	133	10
3032	1/6	0,12	2.4	2.6	4,1	4,4	10	0,7	26.5	116	10
0211	1/6	0,12	1.1	1.3	1,9	2,2	20	1,4	20	335	12
0323-1423 (6 models)	1/4-1	0,19-0,56	2.7-11.5	3.2-13	4,6-19,5	5,4-22	10	0,7	26.5	116	14-17
AT Series	1/4	0,19	3.8-4.8	—	—	6,5-8.2	5	0,4	24	150	18
2070	2	1,5	16	20	27	34	--	--	25	167	20
Separate Drive											
0533	1/15	0,05	.5	.6	0,85	1,0	15	1,0	20	335	22
1033	1/10	0,07	.9	1.1	1,53	1,9	15	1,0	20	335	22
1034	.18	0,13	—	1.6	—	2,7	10	0,7	20	335	23
1534	.18	0,13	—	2.2	—	3,7	10	0,7	20	335	23
0240-0740	1/4-1/3	0,19-0,25	1.5-4.9	1.9-6.0	2,5-8,3	3,2-10	10	0,7	20	335	25
0465	1/4	0,19	3.4	4.0	5,8	6,8	—	—	28	65	28
0765	1/3	0,25	5.0	6.0	8,5	10	—	—	28	65	28
1550	3/4	0,56	11.5	14.5	19,5	24,7	15	1,0	20	335	29
1065-2565	1/2-1 1/2	0,37-1,1	7.3-16.5	8.5-21	12-28	14,4-35,7	25	1,7	28	65	31
2067-2567	1-1 1/2	0,75-1,1	14-17	17-21	24-29	29-35,7	15	1,0	28	65	33-36
2080-4080	2-5	1,5-3,7	20-37	25-45	34-63	42-76	15	1,0	25	167	38
3040	2	1,5	31	40	53	68	10	0,7	20	335	41
4565	3	2,2	36	47.5	61	80,1	15	1,0	25	167	44
5565	3	2,2	45	55	76	93,5	—	—	20	335	46
6066	5	3,7	45	55	76	93,5	15*	1,0	25	167	47
1290**	10	7,5	—	112	—	190	20	1,4	—	—	49

*Standard model performance. Soil sparging model capable of 20 psi.

**Soil sparging model.

Catalog Performance Specifications

The specifications listed are that of a unit at sea level with an ambient temperature of 70°F (21°C), operating with normal electrical current conditions. The figures stated in this catalog are nominal approximations for models without accessories. Intake filters and exhaust mufflers, and the accumulation of contaminants in them during operation, will decrease the flow of air as well as the achievable pressure.

The units that we list in this catalog are a small portion of what we actually make. Those listed are considered “standard units” and are normally available from stock in small quantities. Variations are produced for many customers and by passing on to us the application specifications we might find an existing unit that fits your requirement. If we don’t and the quantity is sufficient, we will design a “special unit” for the application.

Pictorial and dimensional data is subject to change without notice.

The information presented in this catalog is based on technical data and test results of nominal units. It is believed to be accurate and is offered as an aid in the selection of Gast products. It is the user’s responsibility to determine suitability of the product for intended use and the user assumes all risk and liability whatsoever in connection therewith.

Typical Applications



Environmental Applications

- Air sampling
- Breathing air supply
- Sewage aeration
- Soil sparging



Medical Applications

- Dental surgical suction
- Dental vacuum mixers
- Medical aspiration
- Circulation therapy



Graphic Arts Applications

- Envelope openers
- Collating inserters
- Vacuum frames



Other Applications

- Pond aeration
- Vacuum hold-down
- Vacuum forming
- Air bearings
- Oil atomization
- Food processing
- Laboratory vacuum
- Milking equipment



Unit Life Expectancy

Many variables determine the life expectancy of a unit. Among them are:

1. Ambient temperature
Gast's units operate best within a temperature range of 32 °F (0 °C) to 100 °F (38 °C). Lower temperatures affect a unit's ability to start and higher temperatures affect its life. Contact the factory for authorization of unusual ambient conditions.
2. Duty level
3. Operating cycle
4. Operating speed
5. Condition of air handled
 - Cleanliness
 - Humidity
 - Heat
 - Chemical vapors present (corrosive, noncorrosive)
6. Unit maintenance
 - Lubrication (if required)
 - Filter maintenance
 - Muffler maintenance

Electric Motors

All electric motors supplied with Gast vacuum pumps are designed to operate at plus or minus 10% of nameplate voltage. Motors to meet special requirements are available upon request. Various brand-name motors are furnished on any model at the discretion of Gast.

Starting Under Load

Rotary vane units will start under load. The vanes permit the internal chamber of the unit to bleed off during the cycle. At start-up, the pump is not subjected to full load until enough centrifugal force has been attained to throw the vanes out against the body. By that time, the motor has gained enough momentum to continue its cycle without stress.

Continuous vs. Intermittent Operation

Continuous vs. intermittent duty usually must be considered. Our definition of intermittent duty is 10 minutes or less on and 10 minutes or more off. Please note that when you refer to performance curves in this catalog, the solid line indicates continuous operation, while the dashed line shows intermittent duty.

European Community's Machinery Directive

Given its international perspective, Gast has also pledged to conform to the European Community's Machinery Directive, a safety certification program for all products targeted for marketing in the European Community. Currently, all Gast products sold in the European Community are in compliance and include a Declaration Certificate.



Model 1531 Series (Ac & 12 Volt)

20 inHg max. vacuum
1.5 CFM open flow
10 psi max. pressure

Product Features

- Oilless operation
- Motor mounted
- Rugged construction/low maintenance
- Essentially pulse-free service

Includes

- Muffler/filter AA922H
- Thermal protector (on AC models only)

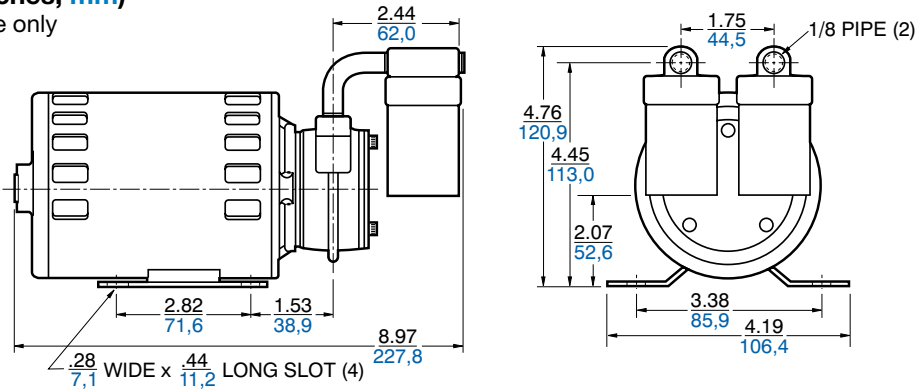
Recommended Accessories

- Vacuum relief valve Aa204
- Vacuum gauge Aa641
- Pressure relief valve Aa203
- Pressure gauge Aa644b
- Repair kit K219

Product Dimensions (inches, mm)

Dimensions are for reference only

Model 1531 (AC Motor)



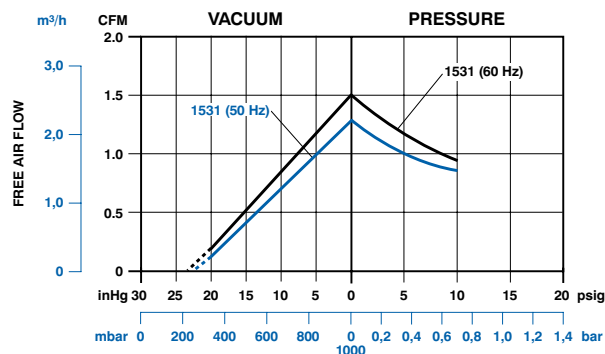
Product Specifications

Note: All models listed can be used as either a vacuum pump or compressor.

Model Number	Motor	RPM			HP	kW	Thermal Protector	Net Weight	
		60 cycle	50 cycle					lbs	kg
1531-107B-G288X	100-110/100-115-50/60-1	3450	2850		1/10	0,07	•	8	3,6
1531-107B-G617	12 Volt DC		3450		1/8	0,09	•	9	4,1
1531-107B-G289X	220-240/230-50/60-1	3450	2850		1/10	0,07	•	7	3,2
1531-107B-G557X†	115-60/50-1	3450	2850		1/10	0,07	•	7	3,2

†Includes 10 ft. cord and switch.

Product Performance





0532 DC



1032 AC



Units shown without sound attenuator.

Only AC motor options shown.

Note: Sound attenuator adds approximately 1" (25,4 mm).

Model 0532 series

20 inHg max. vacuum
0.6 CFM open flow
15 psi max. pressure

Model 1032 series

20 inHg max. vacuum
1.1 CFM open flow
10 psi max. pressure

Model 1532 series

20 inHg max. vacuum
1.5 CFM open flow
10 psi max. pressure

Product Features

- Oilless, pulse-free operation
- Motor mounted
- Low noise levels

Includes

- Low and high speed motor options
- Internal sound suppression/filtration
- Thermal protector (on AC Models only)
- Capacitor (unattached)
- On board controls for motor commutation on 24V BLDC 0532
- External cooling fan on low speed 1032 (unattached)
- Sound attenuator VG2016 (unattached)

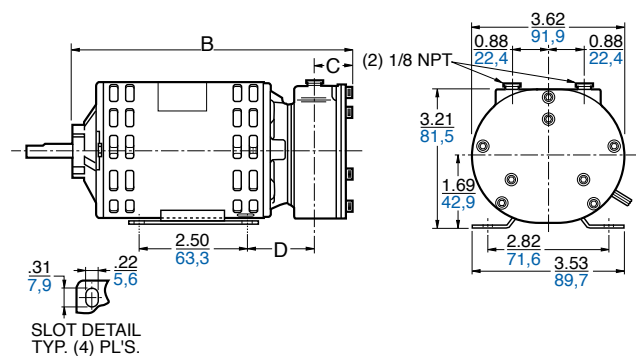
Recommended Accessories

- Vacuum relief valve AA204
- Vacuum gauge AA641
- Pressure relief valve AA203
- Pressure gauge AA644B
- Repair kit K494A (0532), K497 (1032/1532)

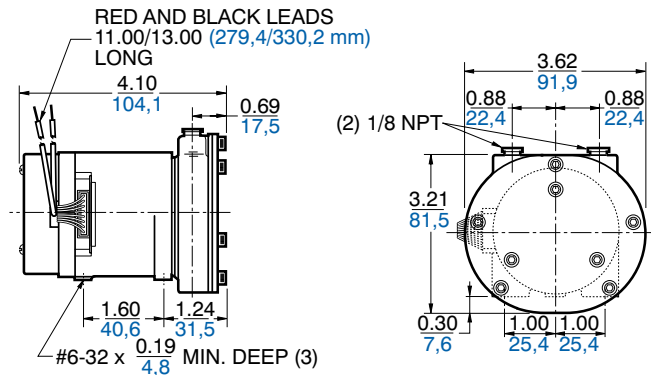
Product Dimensions (inches, mm)

Dimensions are for reference only

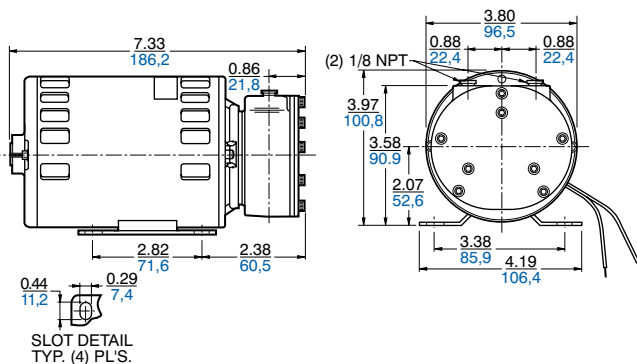
Models 0532, 1032



Model 0532 24V BLDC



Model 1532



Product Specifications

Model	B	C	D	Model	B	C	D
0532	166,6	17,5	33,5	0532	6.56	0.69	1.32
1032	176,0	22,1	38,4	1032	6.93	0.87	1.51

Product Specifications

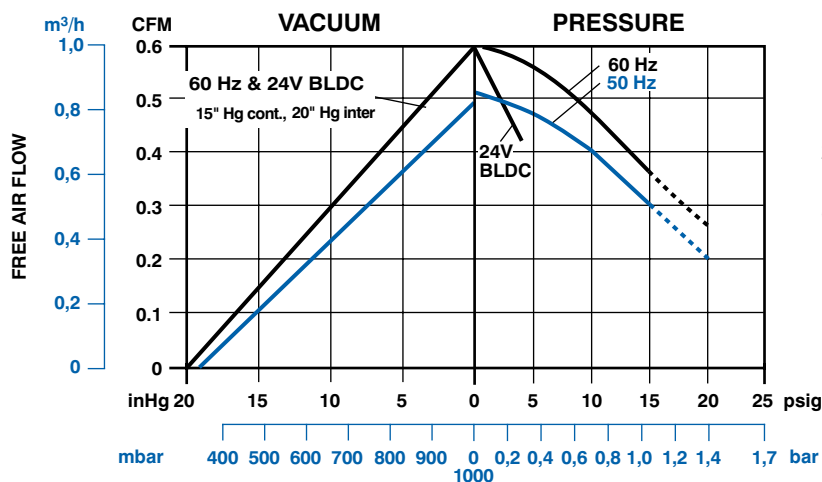
Note: All models listed can be used as either a vacuum pump or compressor.

Model Number	Motor	RPM		HP	kW	Thermal Protector	Net Weight	
		60 cycle	50 cycle				lbs	kg
0532-101-G621X	110/115-50/60-1	3450	2850	1/15	0,05	•	7	3,2
0532-101-G563B	24V BLDC	variable		1/30	0,02		4.5	2,1
1032-101-G619X	100-110/100-115-50/60-1	3450	2850	1/15	0,05	•	8	3,6
1032-101-G618X	220-240/230-50/60-1	3450	2850	1/15	0,05	•	8	3,6
1532-101-G288X	100-110/100-115-50/60-1	3450	2850	1/10	0,07	•	8	3,6
1532-101-G289X	220-240/230-50/60-1	3450	2850	1/10	0,07	•	8	3,6
1532-701-RM012*	220/240-50-1 IP44	—	2850	1/10	0,07	•	8	3,6

*Available only in Europe.

Product Performance

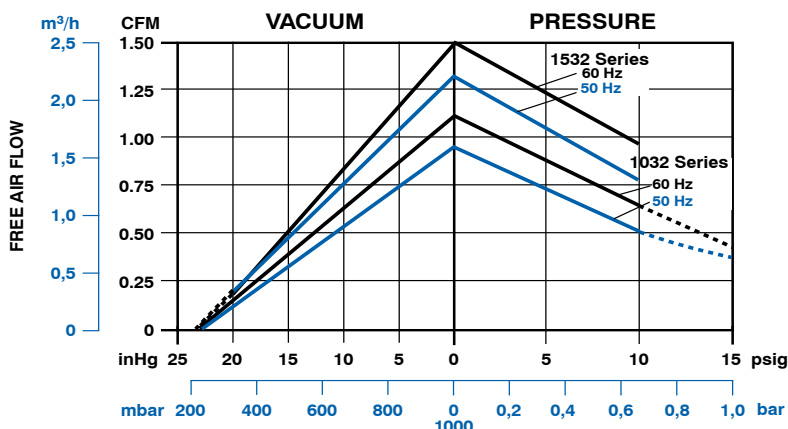
0532 Series



Note:

24V BLDC performance is at approximately 3400 RPM.
Operation beyond 4000 RPM is not recommended.

1032, 1532 Series





Units shown without sound attenuator.

Model 2032 series

26 inHg max. vacuum
2.4 CFM open flow
10 psi max. pressure

Model 3032 series

26.5 inHg max. vacuum
2.6 CFM open flow
10 psi max. pressure

Product Features

- Oilless, pulse-free operation
- Motor mounted
- Low noise levels

Includes

- Internal sound suppression/filtration
- Thermal protector (on all AC Models)
- Capacitor (unattached)
- Motor controls on 24V BLDC (unattached)
- Sound attenuator AK840A (unattached)

Recommended Accessories

- Vacuum relief valve AA204 or AA840A
- Vacuum gauge AA640
- Pressure relief valve AA600 or AA203
- Pressure gauge AA644B
- Repair kit K442A (2032), K554 (3032)

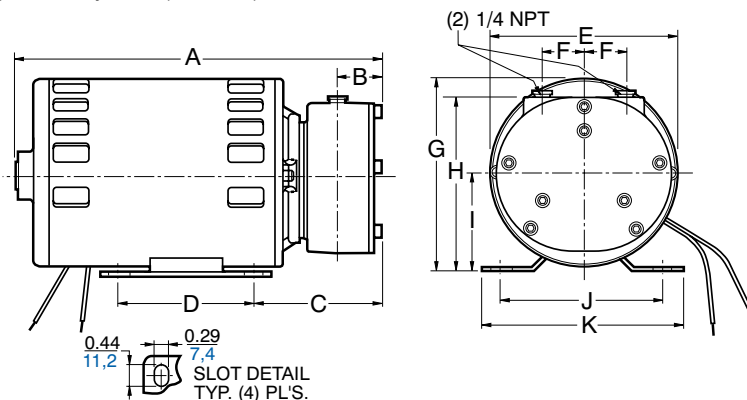
Product Dimensions (inches, mm)

Dimensions are for reference only

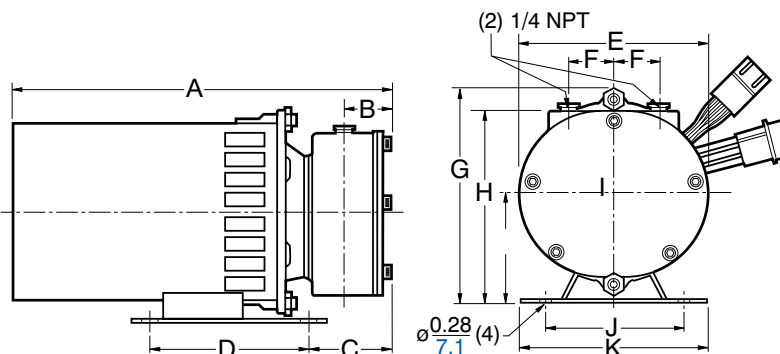
Model	A	B	C	D	E	F	G	H	I	J	K
2032	192,3	23,6	66,5	71,6	98,0	22,4	101,6	91,4	52,6	85,9	106,4
2032	7.57	.93	2.62	2.82	3.86	.88	4.00	3.60	2.07	3.38	4.19
2032 24V BLDC	182,9	23,6	40,1	76,2	91,9	22,4	102,6	91,2	52,6	66,8	89,4
2032 24V BLDC	7.20	.93	1.58	3.00	3.62	.88	4.04	3.59	2.07	2.63	3.52
2032 12V DC	201,7	23,6	58,4	71,6	99,6	22,4	103,1	90,9	52,3	85,8	106,4
2032 12V DC	7.94	.93	2.30	2.82	3.92	.88	4.06	3.58	2.06	3.38	4.19
3032	179,8	26,4	69,9	71,6	98,0	22,4	101,6	93,7	52,6	85,8	104,6
3032	7.08	1.04	2.75	2.82	3.86	.88	4.00	3.69	2.07	3.38	4.12

Note: Sound attenuator adds approximately 1.25" (31,8 mm) to dimension H.

Models 2032, 3032



Model 2032 24V BLDC Motor controls not shown.



Product Specifications

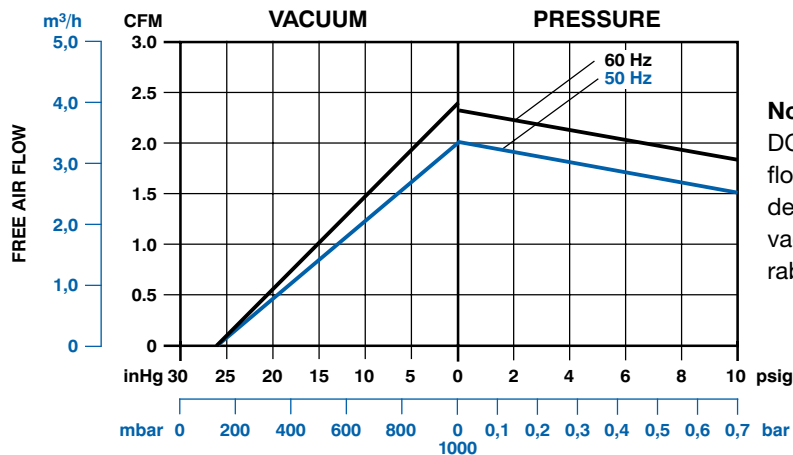
Note: All models listed can be used as either a vacuum pump or compressor.

Model Number	Motor	RPM		HP	kW	Thermal Protector	Net Weight	
		60 cycle	50 cycle				lbs	kg
2032-101-G616X	220-240/230-50/60-1	3450	2850	1/8	0,09	•	9	4,1
2032-101-G644	24V BLDC	variable		1/8	0,09		9	4,1
2032-101-G617	12V	3000		1/8	0,09		10	4,5
3032-101A-G609X	100-110/100-115-50/60-1	3450	2850	1/6	0,12	•	10	4,5
3032-701-RM112*	220/240-50-1 IP44	—	2850	1/6	0,12	•	10	4,5

*Available only in Europe.

Product Performance

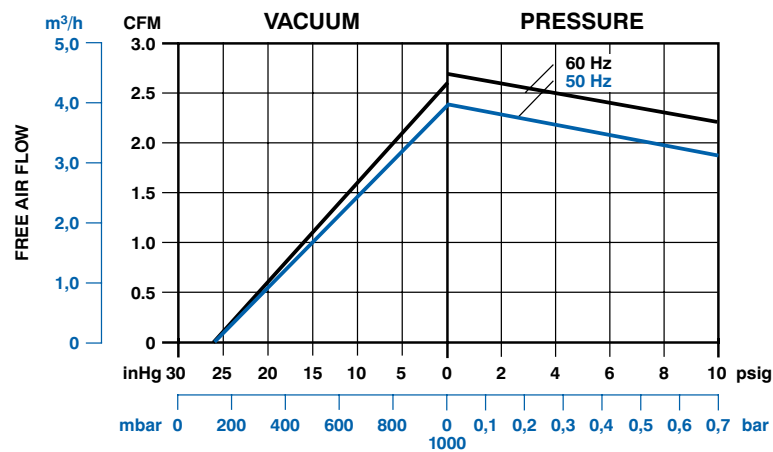
Model 2032

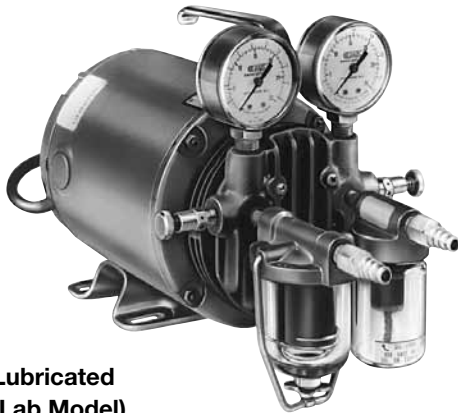


Note:

DC models can achieve open flows between 1.25 and 1.85 CFM depending on varying RPM. max. vacuum and pressure is comparable to AC models.

Model 3032





**Lubricated
(Lab Model)**



Oilless Version

Model 0211 Series

Lubricated:

20 inHg max. vacuum
20 psi max. pressure
1.3 CFM open flow

Oilless:

20 inHg max. vacuum
15 psi max. pressure
1.1 CFM open flow

0211 Lab Model

Lubricated:

Specially accessorized for
laboratory use
20 inHg max. vacuum
20 psi max. pressure
1.3 CFM open flow

Product Features

- Lubricated or oilless operation
- Motor mounted
- Rugged construction/low maintenance
- Essentially pulse-free service
- Built-in pressure relief valve on standard units (Non-Lab Models)

Includes

Lubricated Standard Models:

- Muffler V425B
- Filter/oiler AA680K

Oilless Standard Models:

- Muffler/filter AA617G (2)

Lab Models (Lubricated):

- Gauges – Vacuum AA640, Pressure AA644B
- Hose barbs AA254C
- Regulators AA986B
- Carrying handle AC174
- Cord with on/off switch AA896
- Foot support assembly AC136
- Oiler/filter AA680J
- Muffler AB580B

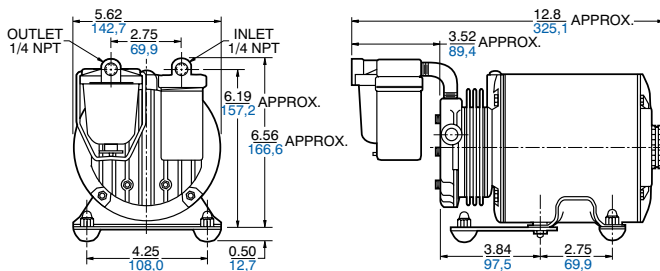
Recommended Accessories

- Vacuum relief valve AA840A
- Vacuum gauge AA640 (Standard models)
- Pressure gauge AA644B (Standard models)
- Oil AD220
- Repair kit K216 (Lubricated vacuum models)
- Repair kit K217 (Lubricated pressure plus lab models)
- Repair kit K218 (Oilless, pressure or vacuum)

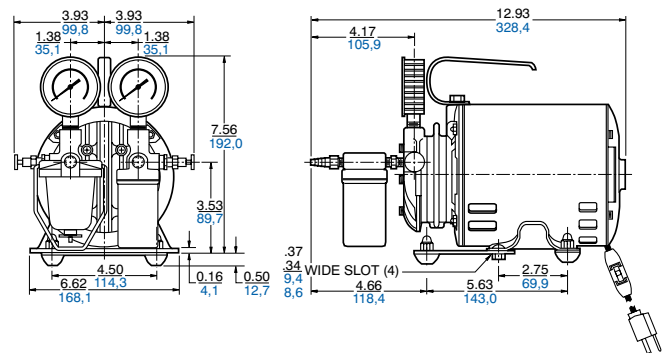
Product Dimensions (inches, mm)

Dimensions are for reference only

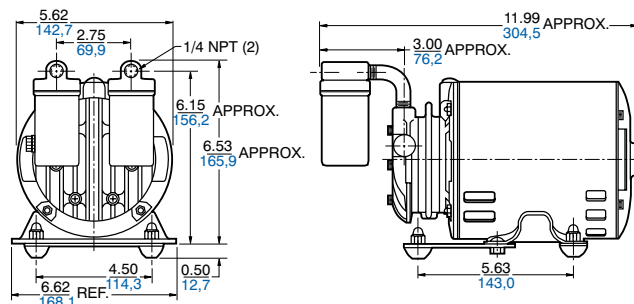
Lubricated Version



Lab Model (Lubricated)



Oilless Version



Product Specifications

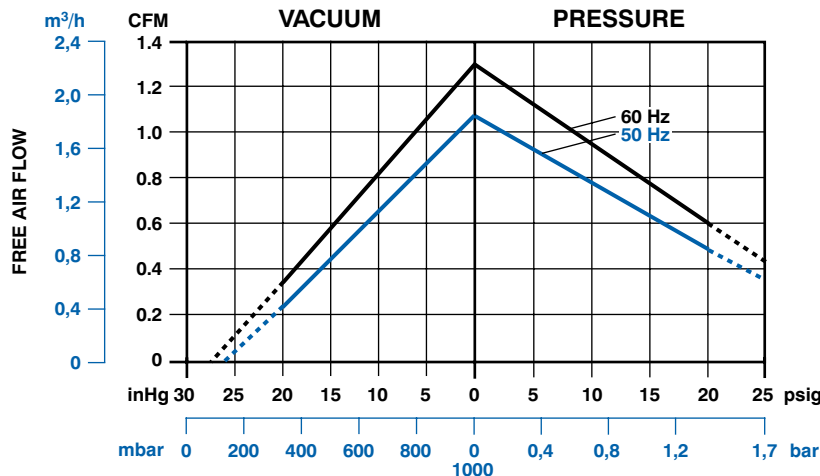
Note: V/P= can be used as vacuum pump or compressor, P= pressure model, V= vacuum model.

Model Number	Motor	RPM		HP	kW	Net Weight	
		60 Hz	50 Hz			lbs	kg
LUBRICATED							
0211-P3B-G8CX (P)	115-60-1	1725	—	1/6	0,12	19	8,6
0211-V36A-G8CX (V)	115-60-1	1725	—	1/6	0,12	19	8,6
0211-V36A-G230CX (V)	220-50-1	—	1425	1/6	0,12	19	8,6
0211-V45F-G8CX (V)	115-60-1	1725	—	1/6	0,12	19	8,6
0211-V45F-G230CX (V/P)*	220-50-1	—	1425	1/6	0,12	19	8,6
OILLESS							
0211-103A-G8CX (V/P)	115-60-1	1725	—	1/6	0,12	17	7,7
0211-103A-G230CX (V/P)	220-50-1	—	1425	1/6	0,12	17	7,7

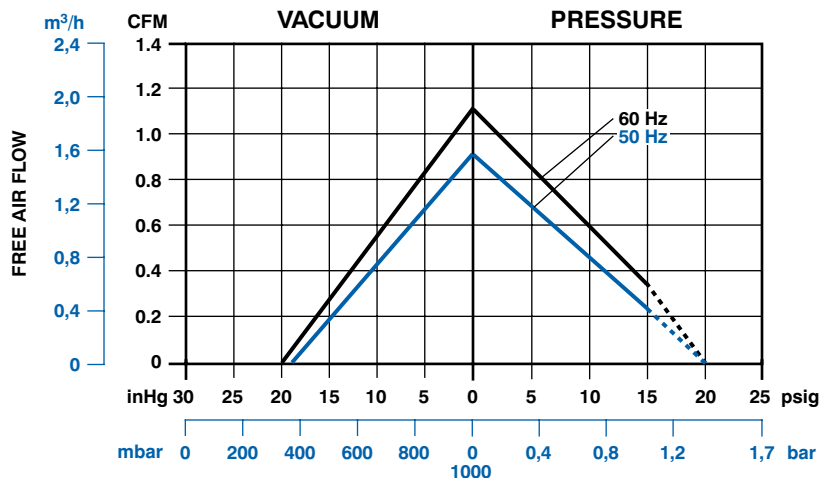
*Lab Model

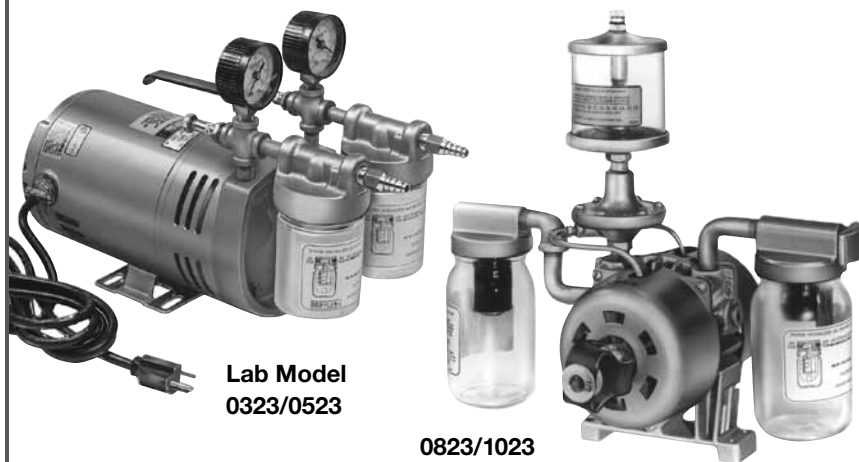
Product Performance

Lubricated Models



Oilless Models





Lab Model
0323/0523

0823/1023

Model 0323 Series (Vacuum Model)

25.0 inHg max. vacuum
3.2 CFM open flow

0323 Lab Model (Vacuum or Pressure)

Specially accessorized for laboratory use
25.0 inHg max. vacuum or 10 psi max. pressure
3.2 CFM open flow

Model 0523 Series (Vacuum Model)

26.5 inHg max. vacuum
4.5 CFM open flow

0523 Lab Model (Vacuum or Pressure)

Specially accessorized for laboratory use
26.0 inHg max. vacuum or 10 psi max. pressure
4.5 CFM open flow

Model 0823 Series (Vacuum Model)

26.5 inHg max. vacuum
8.0 CFM open flow

Model 1023 Series (Vacuum Model)

26.5 inHg max. vacuum
0.0 CFM open flow

Includes

- Foot support assembly AC136 (0323/0523) – Vacuum models
- Thermal protector (on Single Phase Units only)
- Oiler assembly AA930A (0323/0523) – Vacuum models
- Constant level oiler AD125K (0823/1023)
- Oil reservoir AD117 (0823/1023)
- Filter V400G (0323/0523), AB599 (0823/1023)
- Muffler V425K (0323/0523), AB599C (0823/1023)

Lab Models:

- Gauges – Vacuum AA640, Pressure AA644B
- Hose barbs AA254D
- Regulators AA986A
- Carrying handle AC174
- Cord with on/off switch AA896
- Foot support assembly AC136
- Muffler AB609B
- Filter AB609D
- Oiler assembly AA930B

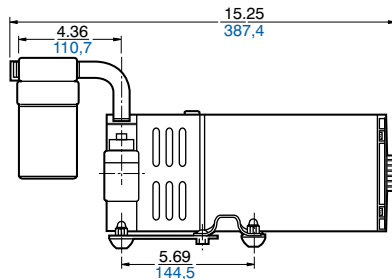
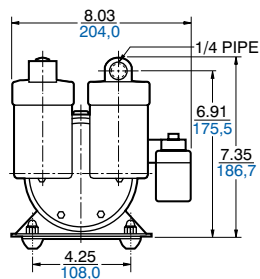
Recommended Accessories

- Vacuum relief valve AA840A
- Vacuum gauge AA640
- Oil AD220
- Repair kit K485 (0323/0523) – Vacuum models
- Repair kit K486 (0823/1023)
- Repair kit K556 (0323/0523) – Lab models

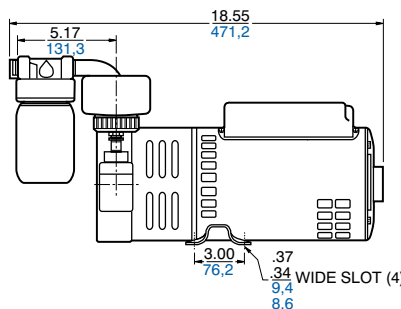
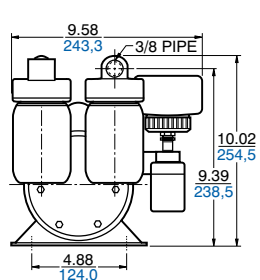
Product Dimensions (inches, mm)

Dimensions are for reference only

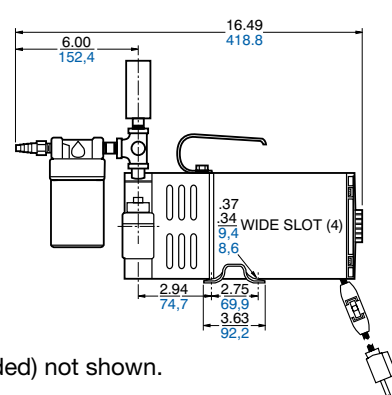
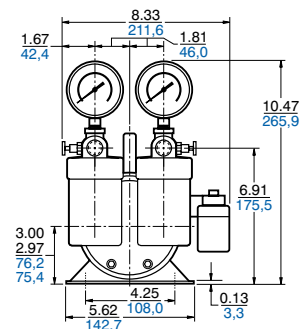
Models 0323/0523



Models 0823/1023



Lab Models 0323/0523



Note: Foot assembly (included) not shown.

Product Specifications

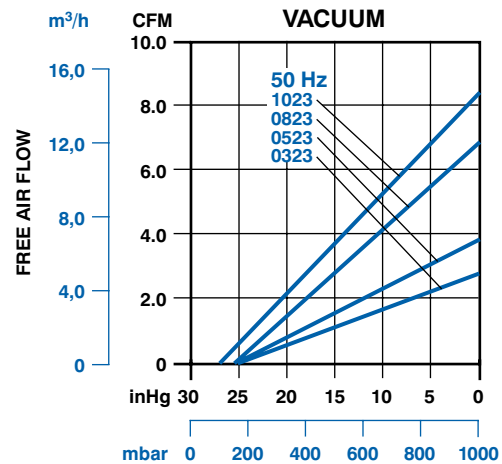
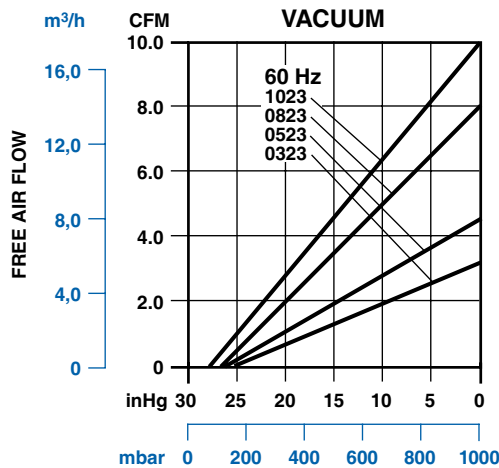
Note: All models listed below are vacuum models only except for the V4 (lab models) which are set up for vacuum or pressure.

Model Number	Motor	RPM		HP	kW	Thermal Protector	Foot Assy.	Net Weight	
		60 cycle	50 cycle					lbs	kg
0323-V3-SG588DX	100-110/220-240; 100-115/208-230-50/60-1	1725	1425	1/4	0,19	•	•	33	14,9
0323-V4-SG588DX*	100-110/220-240; 100-115/208-230-50/60-1	1725	1425	1/4	0,19	•	•	35	15,8
0523-V3-SG588DX	100-110/220-240; 100-115/208-230-50/60-1	1725	1425	1/4	0,19	•	•	33	14,9
0523-V803-G588DX*	110-120/220-240-50/60-1	1725	1425	1/4	0,19	•	•	34	15,3
0523-V4-SG588DX*	100-110/220-240; 100-115/208-230-50/60-1	1725	1425	1/4	0,19	•	•	35	15,8
0823-V2-SG608X	100-110/220-240; 100-115/208-230-50/60-1	1725	1425	3/4	0,56	•	•	54	24,3
1023-V2-SG608X	100-110/220-240; 100-115/208-230-50/60-1	1725	1425	3/4	0,56	•	•	54	24,3
1023-V2-G279	208-220/440-50/60-3	1725	1425	3/4	0,56			54	24,3

*Lab Models

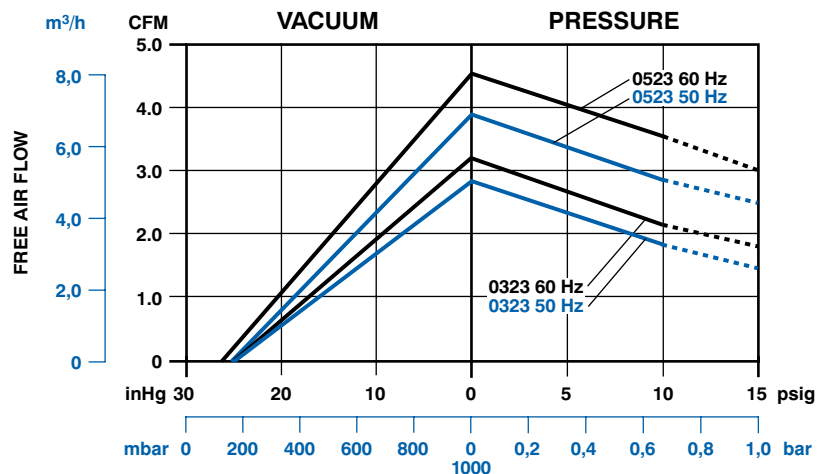
Product Performance

Vacuum Models



Lab Models

Note: Performance shown is for operation as a vacuum pump or compressor, not combined.





0323/0523

Model 0323 Series

- 25 inHg max. vacuum
- 3.2 CFM open flow
- 10 psi max. pressure
- 3.2 CFM open flow

Model 0523 Series

- 26 inHg max. vacuum
- 4.5 CFM open flow
- 10 psi max. pressure
- 4.5 CFM open flow

Model 0823 Series (Vacuum Model)

- 26 inHg max. vacuum
- 8.0 CFM open flow
- 10 psi max. pressure
- 8.0 CFM open flow

Model 1023 Series

- 26 inHg max. vacuum
- 10.0 CFM open flow
- 10 psi max. pressure
- 10.0 CFM open flow

Model 1423 Series

- 25 inHg max. vacuum
- 13.2 CFM open flow
- 10 psi max. pressure
- 13.5 CFM open flow

Product Features

- Oilless operation
- Motor mounted
- Rugged construction/low maintenance
- Essentially pulse-free service

Includes

- Thermal protector (on Single Phase Units only)
- Internal muffler and filter
- External muffler and filter (1423 Model)
- Silencer:
AK840A (0323)
AK840 (0523/0823/1023)
AC432 (1423 Models)
- Foot support assembly AC136 (0323/0523)

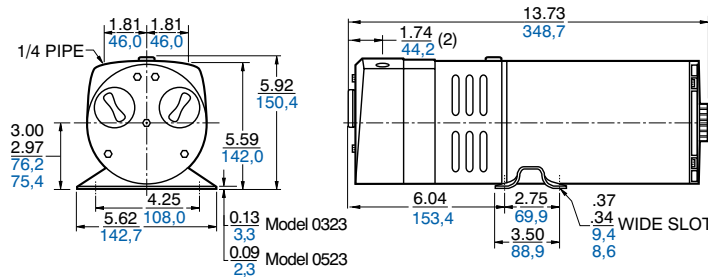
Recommended Accessories

- Vacuum relief valve AA840A (0523/0823/1023/1423)
- Pressure relief valve AA600
- Vacuum gauge AA640
- Repair kit K478 (0323/0523)
- Repair kit K479 (0823/1023)
- Repair kit K575A (1423)

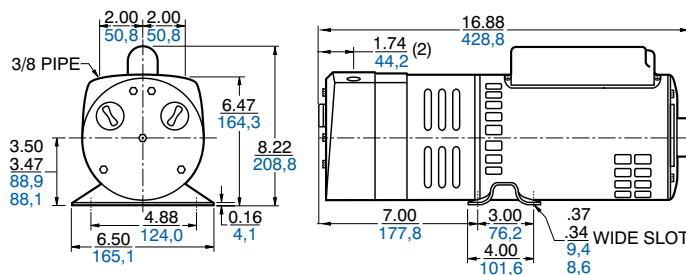
Product Dimensions (inches, mm)

Dimensions are for reference only

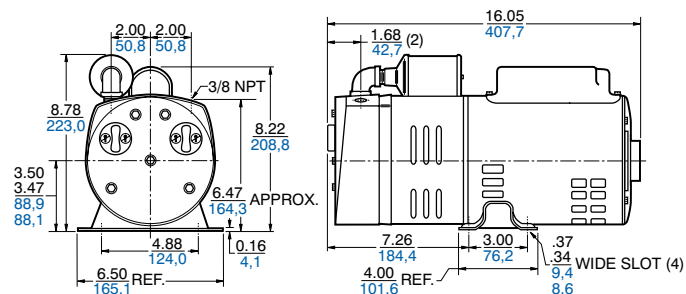
Models 0323/0523



Models 0823/1023



Model 1423

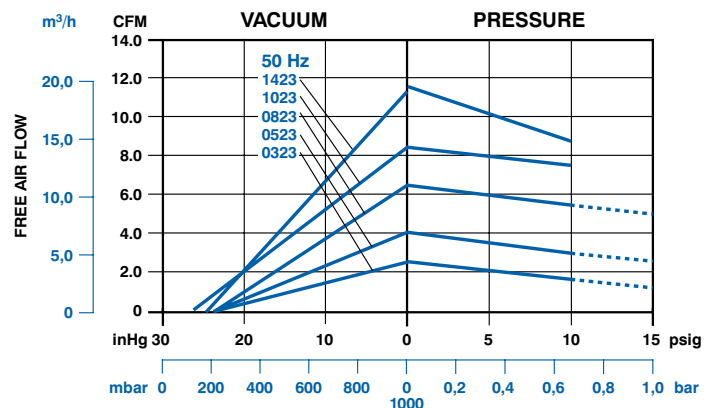
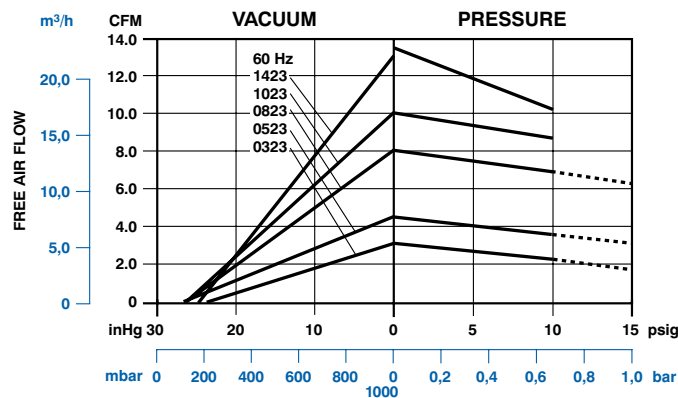


Product Specifications

Note: Models listed below are single function compressors or vacuum pumps except for D101Q models, which are dual function.

Model Number	Motor	RPM		HP	kW	Thermal Protector	Foot Assy.	Net Weight	
		60 cycle	50 cycle					lbs	kg
0323-101Q-SG588DX	100-110/220-240; 100-115/208-230-50/60-1	1725	1425	1/4	0,19	•	•	31	14,0
0523-101Q-SG588DX	100-110/220-240; 100-115/208-230-50/60-1	1725	1425	1/4	0,19	•	•	30	13,5
0523-V103-SG588DX	100-110/220-240; 100-115/208-230-50/60-1	1725	1425	1/4	0,19	•	•	30	13,5
0523-703Q-G588DX	110-120/220-240-50/60-1	1725	1425	1/4	0,19	•	•	32	14,4
0823-101Q-G279	208-220/440-60/50-3	1725	1425	3/4	0,56			47	21,2
0823-101Q-SG608X	100-110/220-240; 100-115/208-230-50/60-1	1725	1425	3/4	0,56	•		47	21,2
0823-V103-SG608X	100-110/220-240; 100-115/208-230-50/60-1	1725	1425	3/4	0,56	•		47	21,2
1023-101Q-SG608X	100-1210/220-240; 100-115/208-230-50/60-1	1725	1425	3/4	0,56	•		47	21,2
1023-101Q-G279	208-220/440-50/60-3	1725	1425	3/4	0,56			47	21,2
1023-703Q-G279	208-220/440-50/60-3	1725	1425	3/4	0,56			52	23,4
1023-V103-SG608X	100-110/220-240; 100-115/208-230-50/60-1	1725	1425	3/4	0,56	•		47	21,2
1023-703Q-ER80*	220-240/380-440-50/60-3 IP44	1725	1425	3/4	0,56			48	21,6
1423-101Q-G626X	100-110/200-220-240; 100-115/200-208-230-50/60-1	1725	1425	1	0,75	•		53	23,9
1423-101Q-G625	220-240-380-415; 230/460-50/60-3	1725	1425	1	0,75			53	23,9

Product Performance





Model AT03 Series

10 psi max. pressure continuous duty
3.7 CFM open flow

Model AT05 Series

10 psi max. pressure continuous duty
15 psi max. pressure intermittent duty
4.8 CFM open flow

Product Features

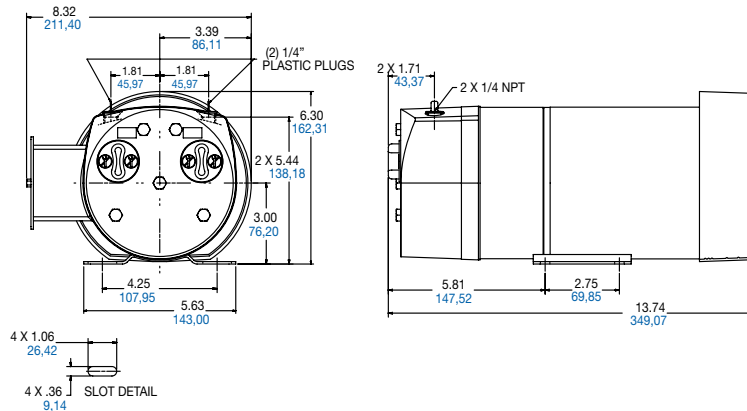
- Oilless operation
- Motor mounted
- New motor design
 - Totally Enclosed Fan Cooled (TEFC) motor offers better protection against environmental conditions.
- Improved mounting stability
- UL Recognized (pressure only)

Includes

- Thermal protector
- Internal muffler and filter
- External inlet filter

Product Dimensions (inches, mm)

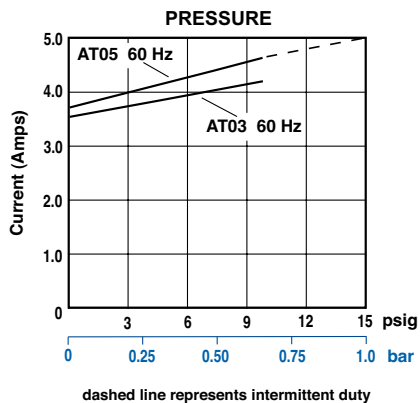
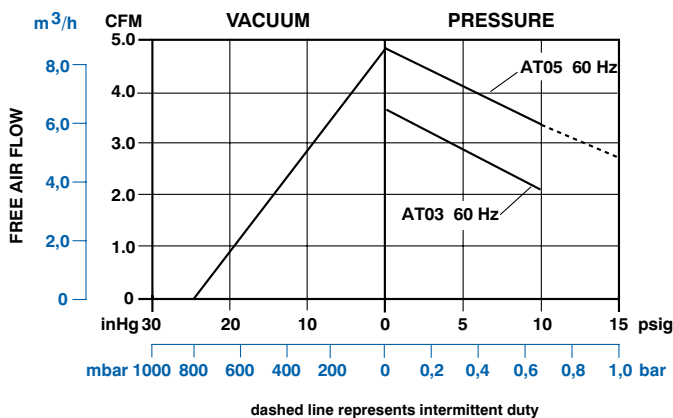
Dimensions are for reference only



Product Specifications

Model Number	Voltage/ Frequency/Phase	RPM	HP	kW	Rated Amps	Net Weight	
						lbs	kg
AT03-101-G215DX	115/60-1	1725	1/4	0,19	4.3	29.5	13,4
AT05-101-G215DX	115/60-1	1725	1/4	0,19	4.7	29.5	13,4

Product Performance





Model 1223-101Q-Sg608x

10 psi max pressure
25 inHg max vacuum
11.0 CFM open flow

Product Features

- Oilless operation
- Motor mounted
- Rugged construction/low maintenance
- Essentially pulse-free service

Includes

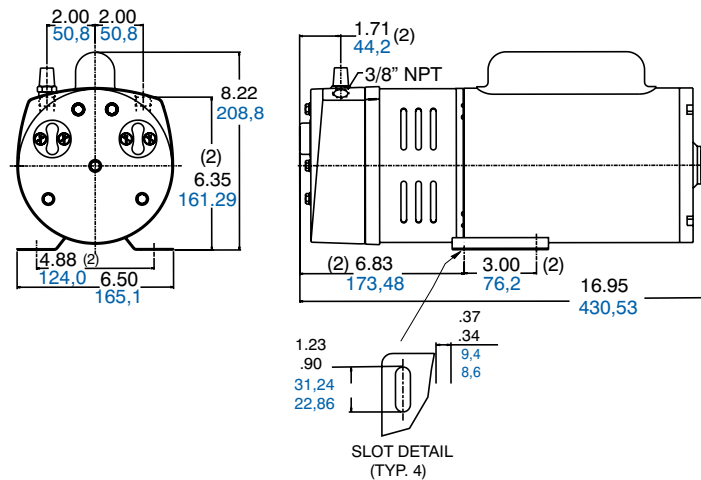
- Thermal protector (single phase units only)
- Internal muffler and filter
- External muffler and filter
- Silencer

Recommended Accessories

- Vacuum relief valve AA840A
- Vacuum gauge AA640
- Repair kit K479

Product Dimensions (inches, mm)

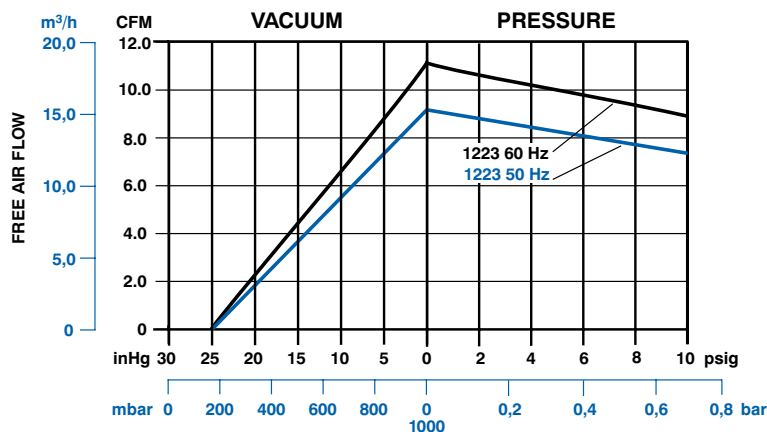
Dimensions are for reference only



Product Specifications

Model Number	Motor	RPM		HP	kW	Thermal protector	Net Weight	
		60 cycle	50 cycle				lbs	kg
1223-101Q-SG608X	100-115/208-230/60-1	1725	—	3/4	0,56	•	47	21,2
	100-110/220-240/50-1	—	1425					

Product Performance





Model 2070 Series

25.0 inHg max. vacuum
20.0 CFM open flow

Product Features

- Oilless operation
- Rugged construction/low maintenance
- Low noise

Includes

- Internal sound suppression
- Heavy duty internal filtration
- Vacuum gauge (AA640)
- Vacuum adjustable relief valve (AN226),

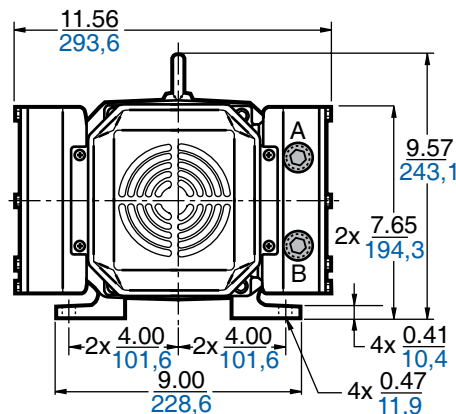
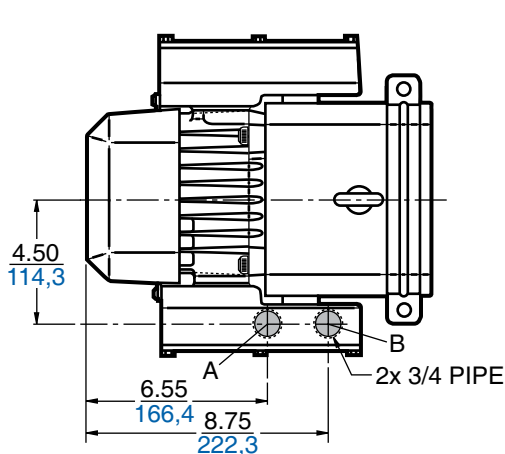
Recommended Accessories

- Gauges and relief valves for separate drive models. See above part numbers.
- Complete repair kit K560
- Filter/muffler kit K561
- Filter/muffler kit K563s

Units pictured without gauges.

Product Dimensions (inches, mm)

Dimensions are for reference only

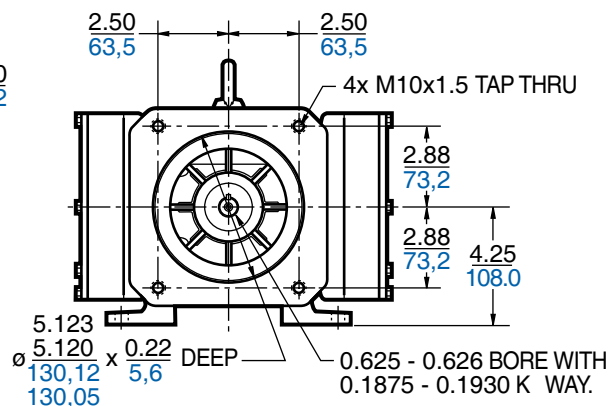
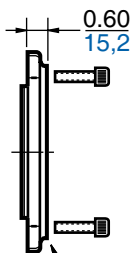
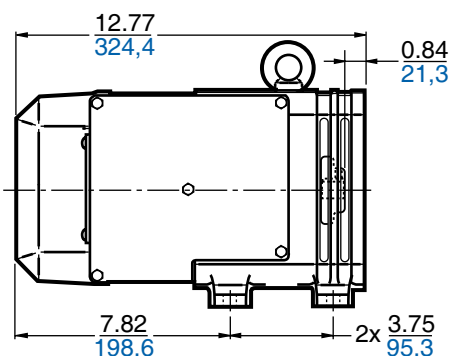


SHADED AREAS INDICATE DIFFERENCES BETWEEN DUAL AND SINGLE FUNCTION.

DUAL FUNCTION SHOWN (BOTH A & B)

SINGLE FUNCTION COMPRESSOR – A ONLY

SINGLE FUNCTION VACUUM – B ONLY



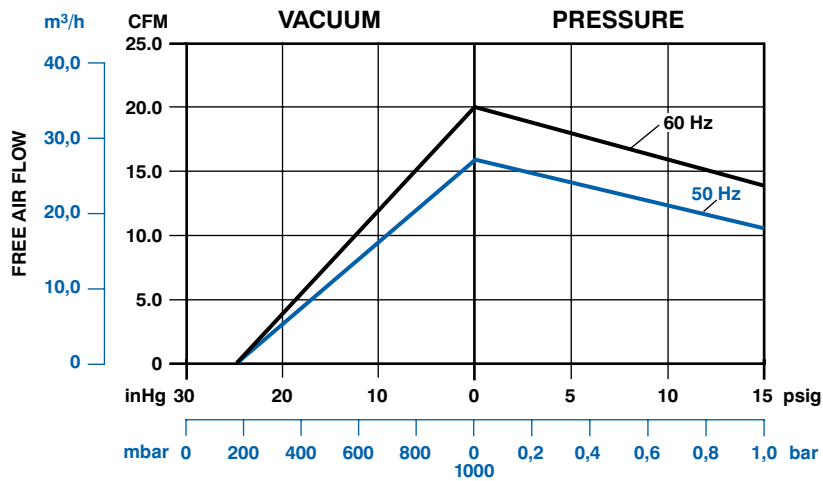
ADAPTOR AND 4x M10 FASTENERS INCLUDED (SHIPPED UNATTACHED)

ATTACH ADAPTOR TO MOTOR WITH (4) 3/8-16 SOCKET HEAD CAP SCREWS (NOT INCLUDED) AND THEN ATTACH THIS ASSEMBLY TO PUMP WITH (4) M10 FASTENERS (INCLUDED).

Product Specifications

Model Number	Motor	RPM		HP	kW	Net Weight	
		60 cycle	50 cycle			lbs	kg
2070-V119	Not included	1725	1425	1½	1,12	70	31,5
2070-V128-T903X	100-110/200-240; 100-115/200-230; 50/60-1	1725	1425	1½	1,12	100	45,0

Product Performance





Model 0533-103A

20 inHg max. vacuum
0.6 CFM open flow
15 psi max. pressure

Model 1033-102A

20 inHg max. vacuum
1.1 CFM open flow
10 psi max. pressure

Product Features

- Oilless operation
- Rugged construction/low maintenance
- Essentially pulse-free service

Includes

- Muffler AA922G
- Filter AA922H

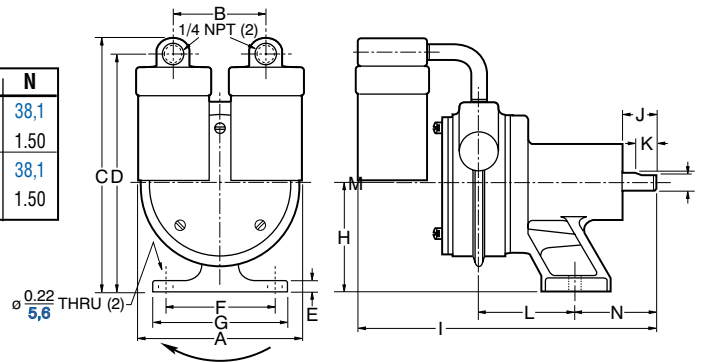
Recommended Accessories

- Vacuum relief valve AA204
- Vacuum gauge AA641
- Pressure relieve valve AA203
- Pressure gauge AA644B
- Coupling (.31" x .31") AE540E
- Repair kit K259 (0533), K219 (1033)

Product Dimensions (inches, mm)

Dimensions are for reference only

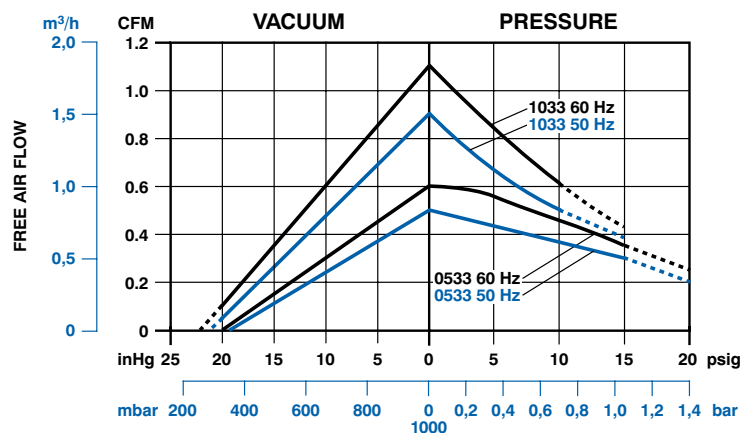
Model	A	B	C	D	E	F	G	H	I	J	K	L	M	N
0533	82,6	44,5	111,0	103,1	6,4	43,0	57,2	50,8	139,7	15,7	9,7	38,1	7,9	38,1
0533	3.25	1.75	4.37	4.06	.25	1.69	2.25	2.00	5.50	.62	.38	1.50	.31	1.50
1033	82,6	44,5	115,8	108,0	6,4	43,0	57,2	50,8	144,5	15,7	9,7	42,9	7,9	38,1
1033	3.25	1.75	4.56	4.25	.25	1.69	2.25	2.00	5.69	.62	.38	1.69	.31	1.50



Product Specifications

Model Number	RPM		HP	kW	Net Weight	
	60 cycle	50 cycle			lbs	kg
0533-103A	3450	2850	1/15	0,05	3	1,4
1033-102A	3450	2850	1/15	0,05	3	1,4

Product Performance





Net wt. 3 lbs (1,36 kg)

Model 1034-101

20 inHg max. vacuum
Flow to 1.57 CFM
10 psi max. pressure

Model 1534-101

20 inHg max. vacuum
Flow to 2.2 CFM
10 psi max. pressure

Product Features

- Oilless, pulse free operation
- Rugged construction/low maintenance
- Low noise levels
- Internal sound suppression/filtration
- Includes sound attenuator VG2016 (unattached)

Recommended Accessories

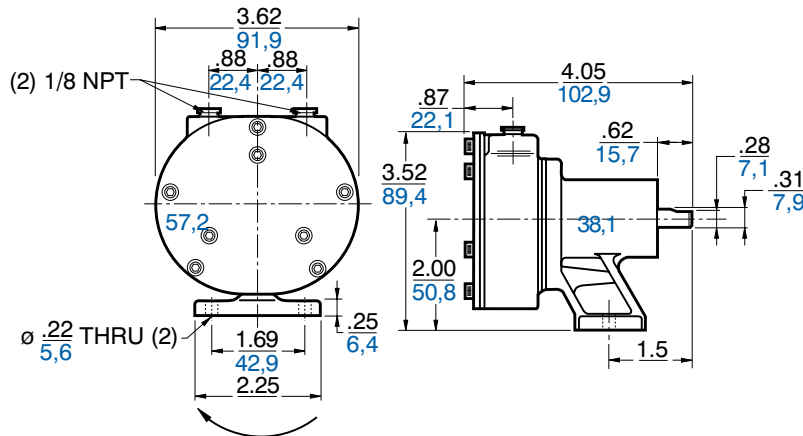
- Vacuum relief valve AA204
- Vacuum gauge AA641
- Pressure relieve valve AA203
- Pressure gauge AA644B
- Coupling (.31" x .31") AE540E
- Repair kit K497



Units shown without
sound attenuator.

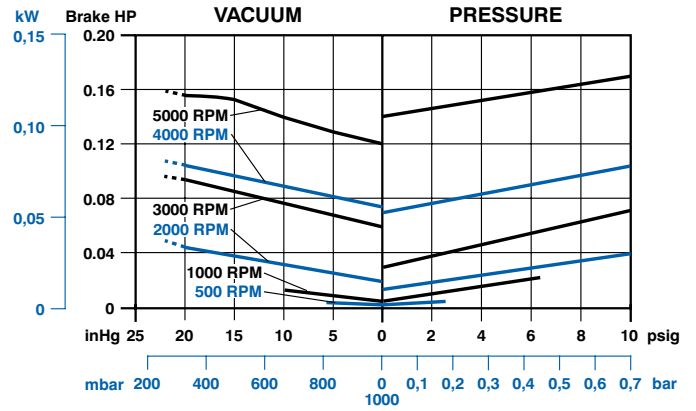
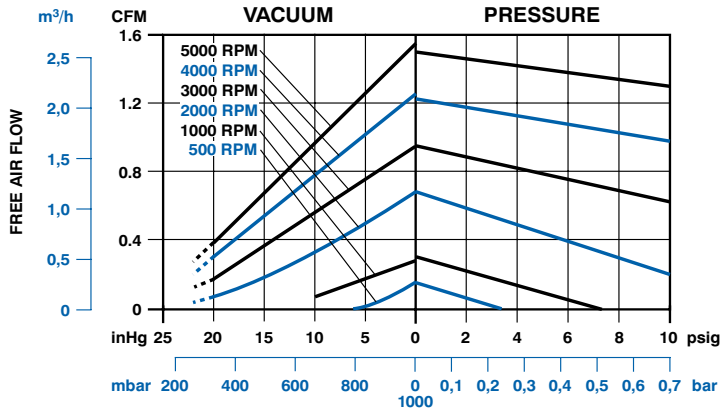
Product Dimensions (inches, mm)

Dimensions are for reference only

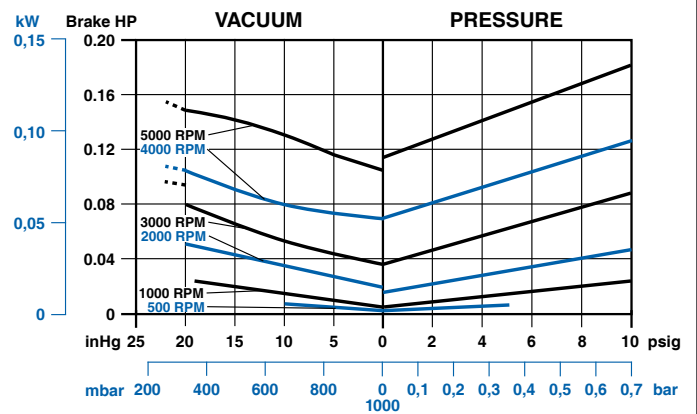
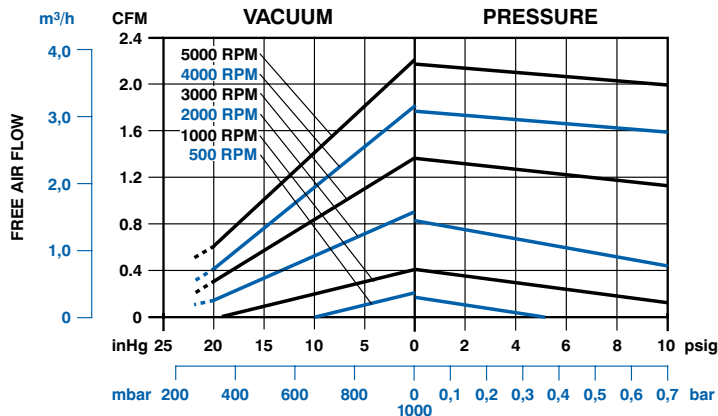


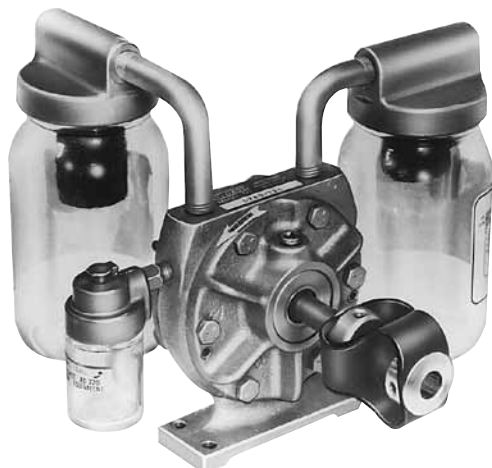
Product Performance

Model 1034



Model 1534





Lubricated Vacuum Pump



Oilless Compressor

Model 0240 Series

Lubricated:

15 inHg max. vacuum
1.9 CFM open flow
10 psi max. pressure

Model 0440 Series

Lubricated:

15 inHg max. vacuum
4.0 CFM open flow
10 psi max. pressure

Oilless:

20 inHg max. vacuum
4.0 CFM open flow
10 psi max. pressure

Model 0740 Series

Oilless:

20 inHg max. vacuum
6.0 CFM open flow
10 psi max. pressure

Product Features

- Lubricated or oilless operation
- Rugged construction/low maintenance
- Essentially pulse-free service

INCLUDES

Lubricated

- Oiler AA930B (0240/0440) AA930C (0740) – Vacuum pumps
- Oiler AA930F – Compressors
- Coupling assembly AE541A
- Muffler V425C (0240/0440), V500D (0740)
- Filter V400C (0240/0440)
- Filter B343B – Compressors

Oilless

- Muffler V425A (0240/0440), V525A (0740)
- Filter V400G (0240), V400C (0440), V500D (0740)
- Filter B343B – Vacuum pump and compressor
- Cooling fan (B340C)

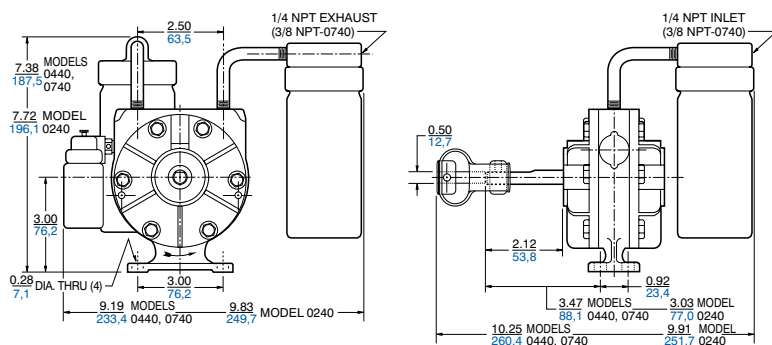
Recommended Accessories

- Base AB324 (0240), AB325 (0440/0740)
- Vacuum relief valve AA840A
- Vacuum gauge AA640
- Pressure relief valve AA205 (0240), AA600 (0440)
- Pressure gauge AA644B
- Coupling AE541A (.50" x .50") – Oilless models
- Coupling guard AE873
- Repair kit K225A (0240) K227A (0440), K229A (0740) – Oilless models
- Repair kit K224A (0240), K226A (0440), K228A (0740) – Lubricated models
- Oil AD220 – Lubricated models

Product Dimensions (inches, mm)

Dimensions are for reference only

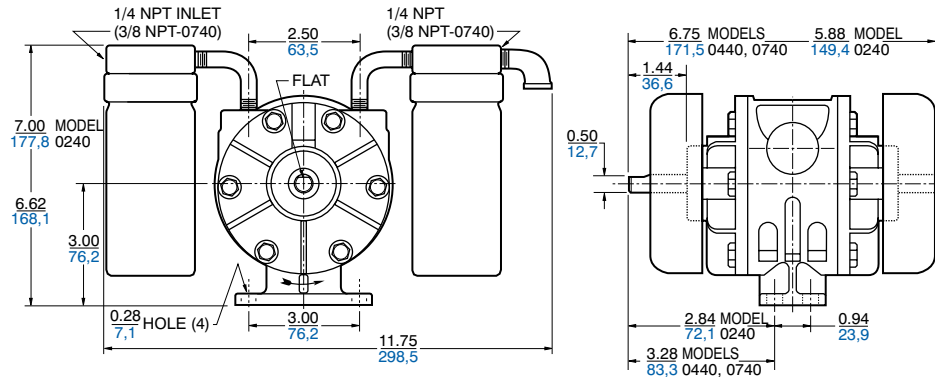
Lubricated Vacuum Pump



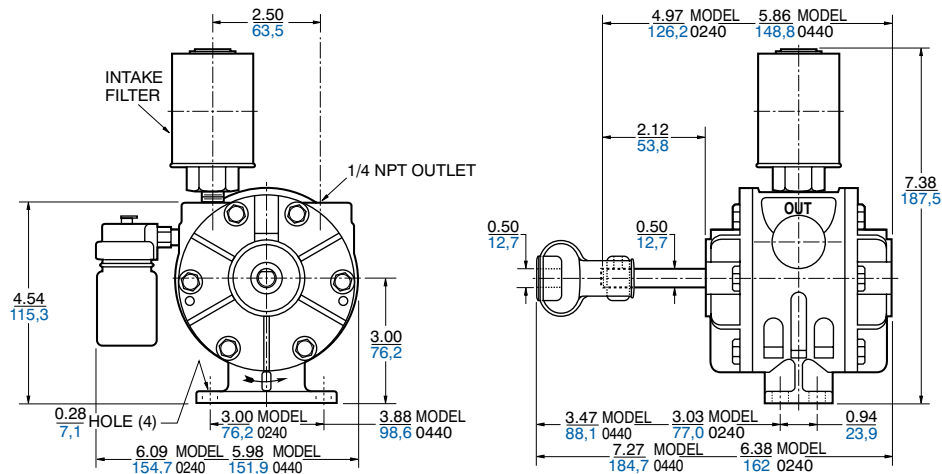
Product Dimensions (inches, mm)

Dimensions are for reference only

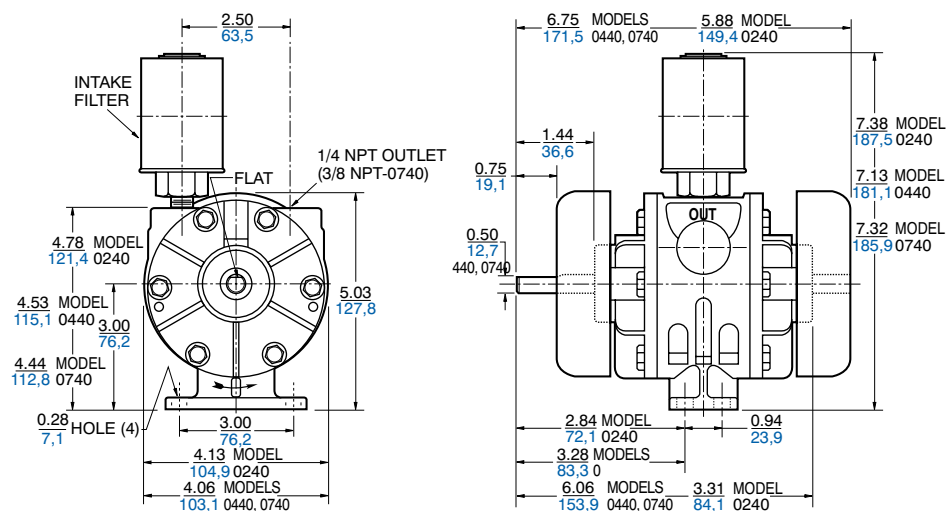
Oilless Vacuum Pump



Lubricated Compressor



Oilless Compressor



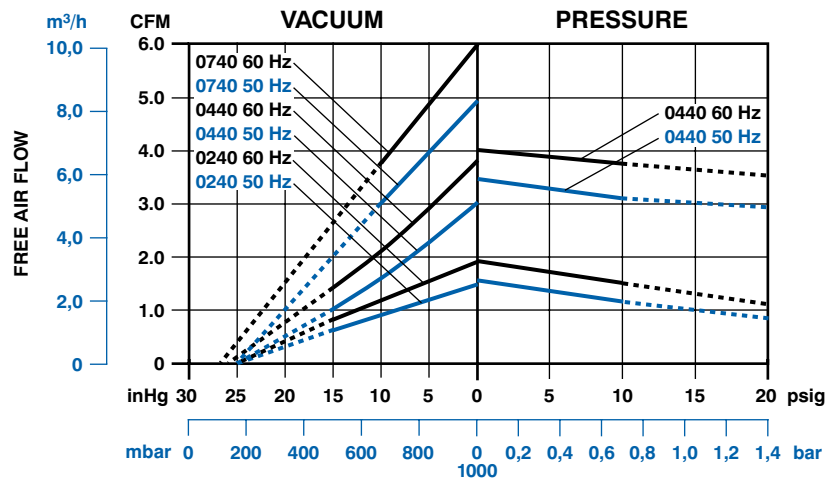
Product Specifications

Note: "P" models are pressure, "V" models are vacuum.

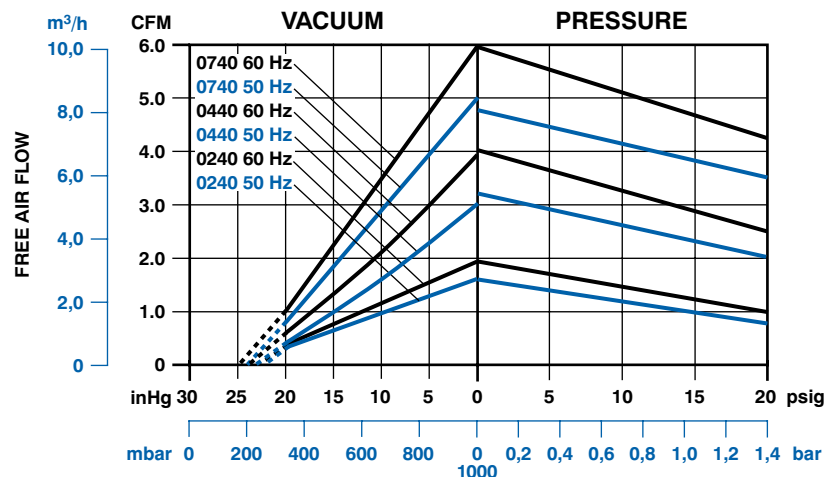
Model Number	Motor	RPM		HP	kW	Coupling Guard	Base	Coupling	Net Weight	
		60 cycle	50 cycle						lbs	kg
LUBRICATED										
0240-P10B	Not included	1725	1425	1/4	0,19				7	3,2
0240-V2C	Not included	1725	1425	1/4	0,19			•	9	4,1
0440-P11B	Not included	1725	1425	1/4	0,19				9	4,1
0440-V2C	Not included	1725	1425	1/4	0,19			•	11	5,0
0740-V2A	Not included	1725	1425	1/3	0,25			•	12	5,4
OILLESS										
0240-P103A	Not included	1725	1425	1/4	0,19				7	3,2
0240-V105A	Not included	1725	1425	1/4	0,19				10	4,5
0440-P103A	Not included	1725	1425	1/4	0,19				9,5	4,3
0440-V105A	Not included	1725	1425	1/4	0,19				12	5,4
0740-P106A	Not included	1725	1425	1/3	0,25				10	4,5
0740-P112B	Not included	1725	1425	1/3	0,25	•	•	•	16	7,2
0740-V104A	Not included	1725	1425	1/3	0,25				12	5,4
0740-V114B	Not included	1725	1425	1/3	0,25	•	•	•	20	9,0

Product Performance

Lubricated



Oilless





Model 0465 Series

28 inHg max. vacuum
4.0 CFM open flow

Model 0765 Series

28 inHg max. vacuum
6.0 CFM open flow

Product Features

- Lubricated operation
- Rugged construction/low maintenance
- Essentially pulse-free service

Includes

- Oiler
- Muffler V525
- Filter V500D
- Cooling fan B340C
- Coupling assembly AE541A (0465), AE541C (0765)

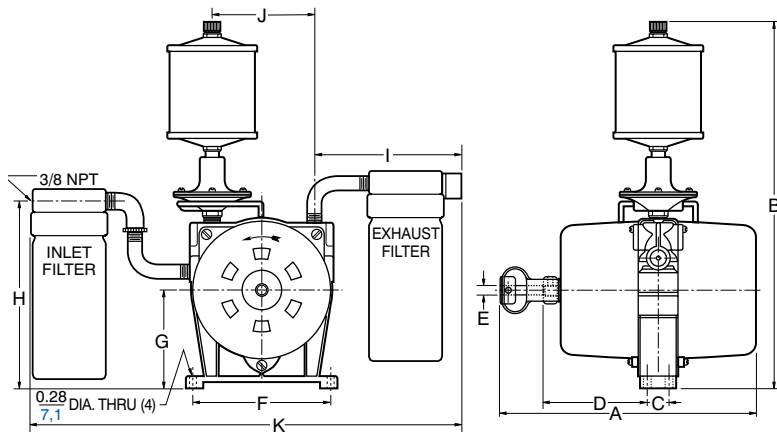
Recommended Accessories

- Base AB325
- Vacuum relief valve AA840A
- Vacuum gauge AA640
- Coupling guard AE873
- Oil AD220
- Repair kit K234 (0465), K235 (0765)

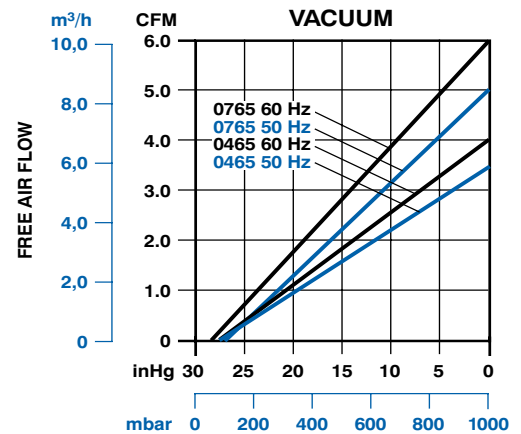
Product Dimensions (inches, mm)

Dimensions are for reference only

Model	A	B	C	D	E	F	G	H	I	J	K
0465	223,5	342,9	23,9	88,1	12,7	127,0	88,9	169,9	138,2	79,2	390,7
0465	8.80	13.50	.94	3.47	.50	5.00	3.50	6.69	5.44	3.12	15.38
0765	225,5	341,4	23,9	88,1	15,9	127,0	88,9	169,9	138,2	79,2	390,7
0765	8.88	13.44	.94	3.47	.625	5.00	3.50	6.69	5.44	3.12	15.38



Product Performance



Product Specifications

Model Number	Motor	RPM		HP	kW	Coupling Guard	Base	Thermal protector	Net Weight	
		60 cycle	50 cycle						lbs	kg
0465-V2B	Not included	1725	1425	1/4	0,19				15	6,8
0765-V6A	Not included	1725	1425	1/3	0,25				14	6,3
0765-V7C	Not included	1725	1425	1/3	0,25	•	•		19	8,6



Vacuum Pump

Model 1550 Series

20 inHg max. vacuum
14.5 CFM open flow
15 psi max. pressure

Product Features

- Oilless operation
- Pulley driven (multiple speeds possible)
- Rugged construction/low maintenance
- Essentially pulse-free service

Includes (On Standard Models)

- Filter AB600F (Vacuum pump)/AC433 (Compressor)
- Muffler AB600J (Vacuum pump)
- Cooling fan AC326C
- 5" P.D. pulley AB140

Recommended Accessories

- Base AB897A (Vacuum pump)/AB889A (Compressor)
- Belt guard AB332B (Vacuum pump)
- Belt guard AB334B (Compressor)
- Vacuum relief valve AA840A
- Pressure relief valve AA600
- Vacuum gauge AA640
- Pressure gauge AA644B
- Repair kit K231A
- Repair kit K234 (0465), K235 (0765)

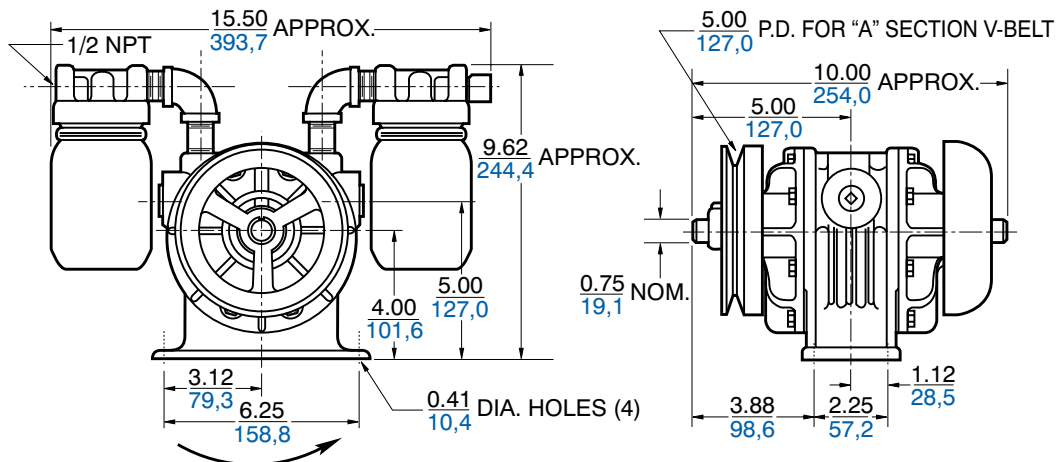


Compressor

Product Dimensions (inches, mm)

Dimensions are for reference only

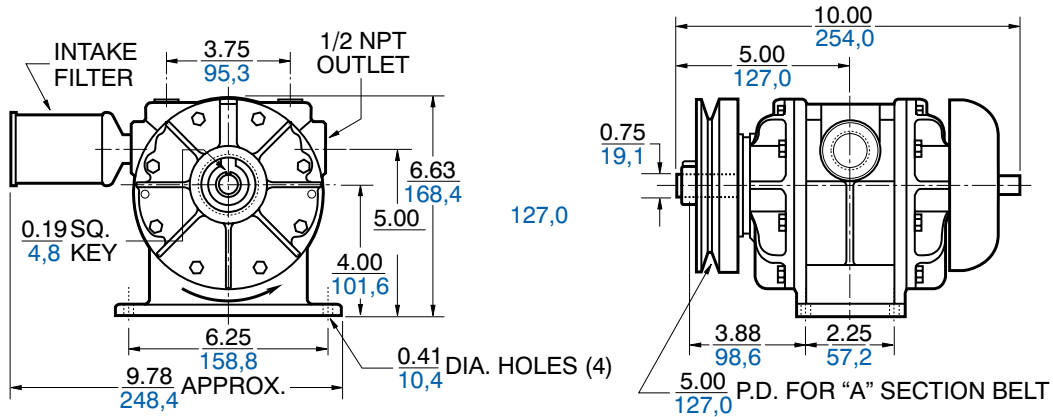
Vacuum Pump



Product Dimensions (inches, mm)

Dimensions are for reference only

Compressor



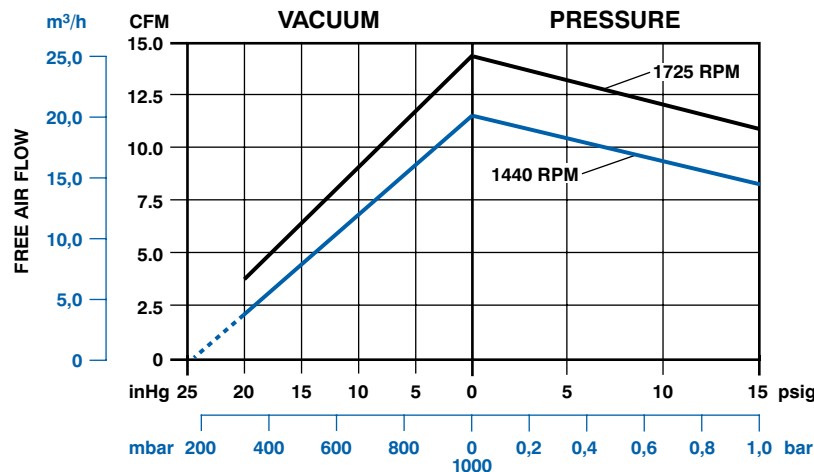
Product Specifications

Note: "P" models are pressure, "V" models are vacuum.

Model Number	Motor	Belt Guard	Base	Thermal Protector	RPM	HP	kW	Net Weight	
								lbs	kg
1550-P139B	—	—	—	—	1440	1	0,75	30	13,5
1550-P140J	—	•	•	—	1725	1 1/2	1,1	57	25,7
1550-141J-T336 (P)	230/460-60-3	•	•	—	1725	1 1/2	1,1	89	40,1
1550-P139B-SD110-1*	220/240-380/415-50-3 IP54	•	•	—	1725	1 1/2	1,1	89	40,1
1550-V136B	—	—	—	—	1725	3/4	0,56	33	14,9
1550-V137J	—	•	•	—	1440	1/2	0,37	52	23,4
1550-V138K-G34AX	115/230-60-1	•	•	•	1440	1/2	0,37	76	34,2
1550-V137K	—	•	•	—	1725	3/4	0,56	52	23,4
1550-V136B-SD100-1*	380/415-50-3	•	•	—	1725	1	0,75	80	36,0

*Available only in Europe.

Product Performance



Compressor



Model 1065 Series

28 inHg max. vacuum
8.5 CFM open flow
25 psi max. continuous pressure

Model 2065 Series

28 inHg max. vacuum
17.0 CFM open flow
15 psi max. continuous pressure

Model 2565 Series

28 inHg max. vacuum
21.0 CFM open flow
15 psi max. continuous pressure

Product Features

- Lubricated operation
- Rugged construction/low maintenance
- Essentially pulse-free service

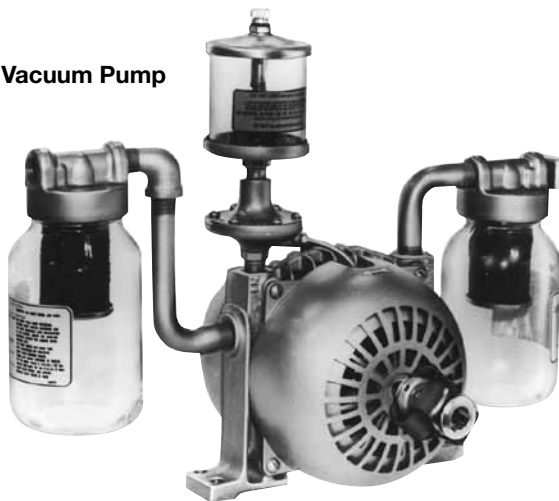
Includes (On Standard Models)

- Filter AC432 (1065), AC435 (2065/2565) – Compressors
- Pressure lubricator A380C (1065), AA95A (2065/2565)
- Pressure gauge AA644B
- Filter AA800C (1065), AA900D (2065/2565) – Vacuum pumps
- Muffler AA800D (1065), AA900E (2065/2565) – Vacuum pumps
- Oil reservoir AA960-1 (2065, 2565) AA960-2 (1065)
- Fan guards AC102B, AC102C
- Fan AC326A (1065), AC326C (2065/2565)
- Coupling assembly AE542A (1065), AE543B (2065/2565)
- Vacuum lubricator V40C

Recommended Accessories

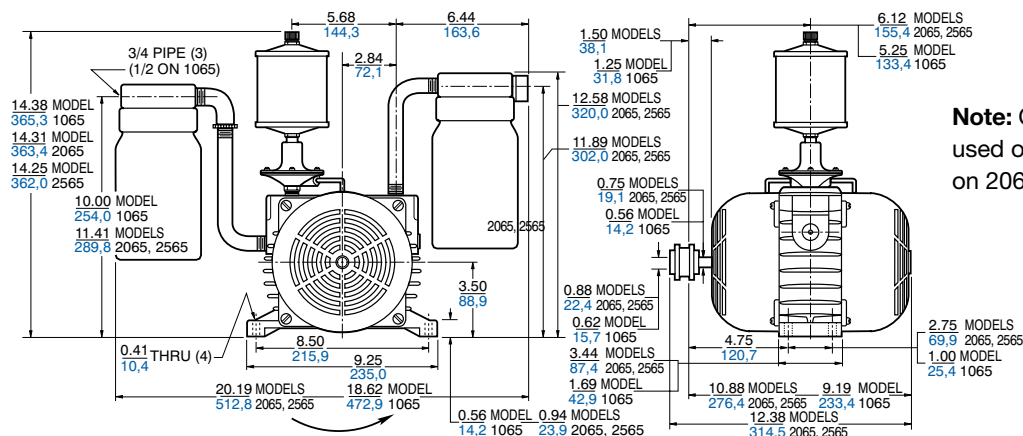
- Base AB320H (1065), AB320F (2065/2565)
- Coupling guard AE873
- Vacuum relief valve AA840A (1065), AA308 (2065/2565)
- Vacuum gauge AA640
- Oil AD220
- Pressure relief valve AA600 (1065), AA307 (2065/2565)
- Repair kit K297 (1065), K295 (2065), K296 (2565)

Vacuum Pump



Product Dimensions (inches, mm)

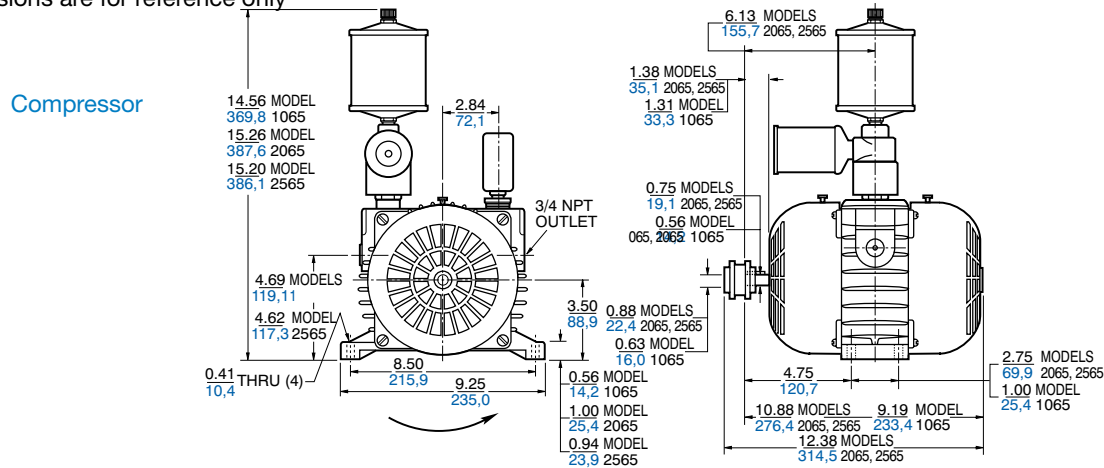
Dimensions are for reference only



Note: One piece coupling (AE542A) used on 1065, 3 piece (AE543B) used on 2065/2565.

Product Dimensions (inches, mm)

Dimensions are for reference only



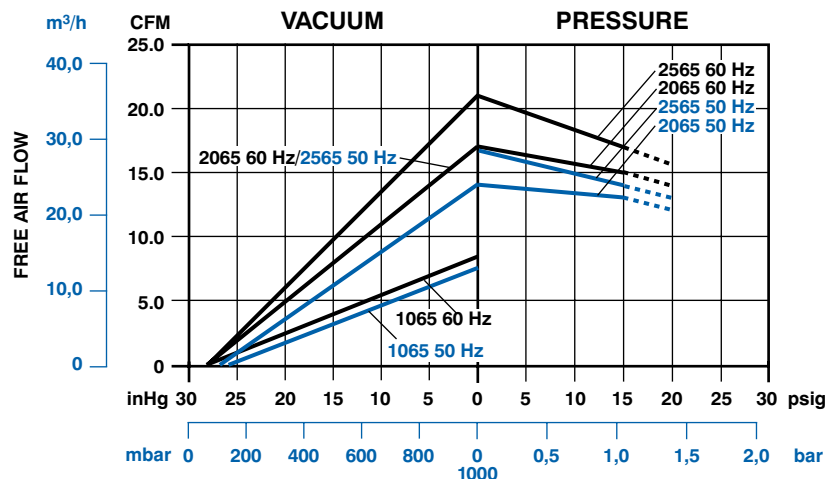
Product Specifications

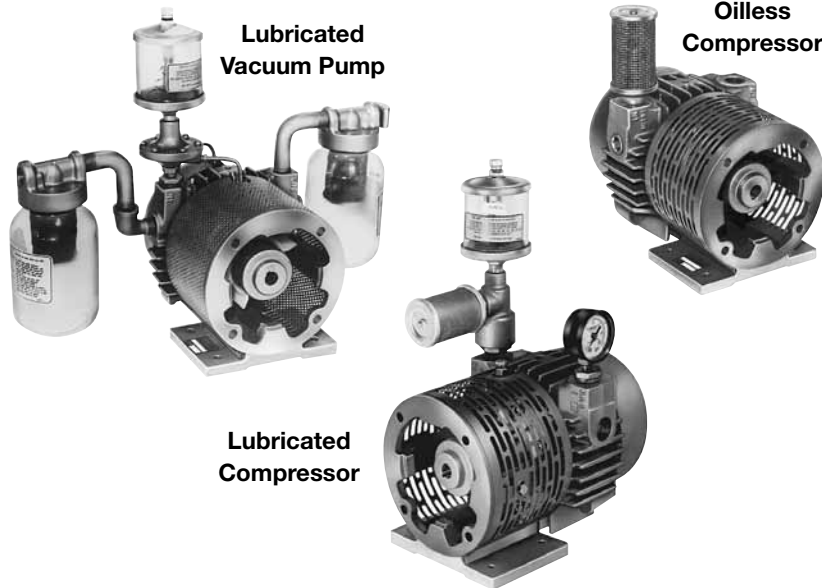
Note: "P" models are pressure, "V" models are vacuum.

Model Number	Motor	RPM		HP	kW	Coupling Guard	Base	Thermal Protector	Net Weight	
		60 cycle	50 cycle						lbs	kg
1065-P18	Not included	1725	1425	1	0,74				22	9,9
1065-V2A	Not included	1725	1425	1/2	0,37				23	10,4
1065-V3B	Not included	1725	1425	1/2	0,37	•	•		36	16,2
1065-V4B-G34AX	115/230-60-1	1725	—	1/2	0,37	•	•	•	56	25,2
1065-V2A-SD50-1*	220-240-50-1	—	1425	1/2	0,37	•	•		56	25,2
2065-P8	Not included	1725	1425	1 1/2	1,1				41	18,5
2065-P9B	Not included	1725	1425	1 1/2	1,1	•	•		61	27,5
2065-P10B-T336	230/460-60-3	1725	—	1 1/2	1,1	•	•		92	41,4
2065-V2A	Not included	1725	1425	1	0,75				43	19,4
2065-V3C	Not included	1725	1425	1	0,75	•	•		55	24,8
2565-P19	Not included	1725	1425	2	1,5				40	18,0
2565-V2A	Not included	1725	1425	1 1/2	1,1				38	17,1
2565-V3C	Not included	1725	1425	1 1/2	1,1	•	•		55	24,8
2565-V4C-T336	230/460-60-3	1725	—	1 1/2	1,1	•	•		84	37,8
2565-V89A-SD100-1*	380/415-50-3	—	1425	1	0,75	•	•		84	37,8

*Available only in Europe.

Product Performance





MODEL 2067 SERIES

LUBRICATED:

28 inHg max. vacuum
17 CFM open flow
15 psi max. pressure

OILLESS:

27 inHg max. vacuum
17 CFM open flow
15 psi max. pressure

MODEL 2567 SERIES

LUBRICATED:

28 inHg max. vacuum
21 CFM open flow
15 psi max. pressure

OILLESS:

27 inHg max. vacuum
21 CFM open flow
15 psi max. pressure

Product Features

- Close coupled/easy motor mounting
- Rugged construction/low maintenance
- Essentially pulse-free service

INCLUDES

- Fan guards AC102C, AH194A
- Fan/coupling assembly AH198
- Filter AA900D (Vacuum pump) – Lubricated
- Filter AC435 (Compressor) – Lubricated
- Muffler AA900E (Vacuum pump) – Lubricated
- Filter AA905G (Compressor) – Oilless
- Muffler AA900F (Vacuum pump) – Oilless
- Oil reservoir AA960-1
- Vac lubricator V40C
- Pressure lubricator AA95A
- Pressure gauge AA644B (U.S.) – Lubricated

Recommended Accessories

- Vacuum relief valve AA308 (U.S. Models)
- Vacuum gauge AA640 (U.S. Models)
- Pressure relief valve AA307 (U.S. Models)
- Pressure gauge AA644B – Oilless
- Oil AD220
- Repair kit K349 – Lubricated
- Repair kit K350 – Oilless

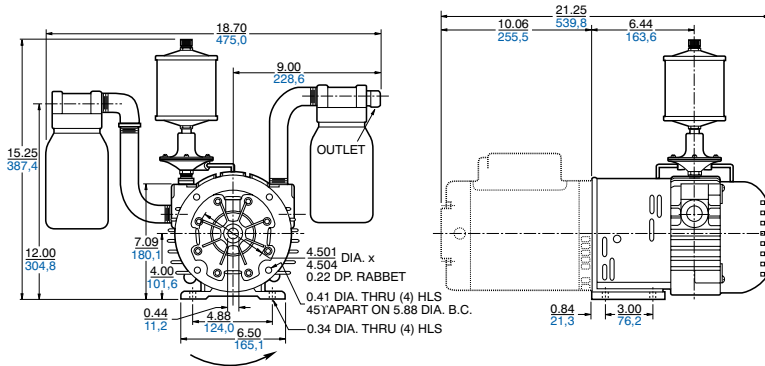
Product Dimensions (inches, mm)

Dimensions are for reference only

Lubricated Versions

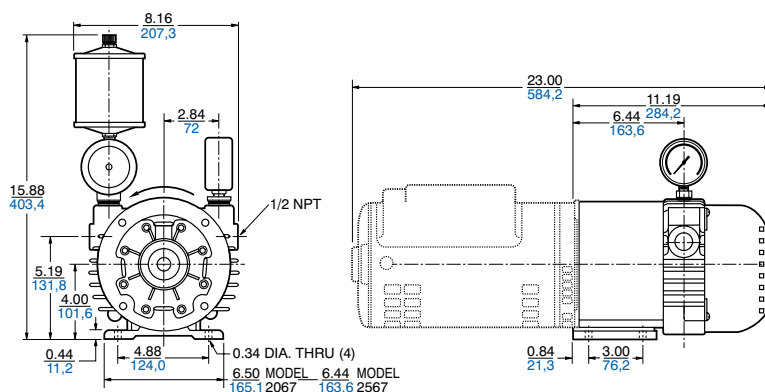
Vacuum Pump (U.S. Models)

Nema 56 Frame, C Face, Inlet $\frac{3}{4}$ In. Npt



Compressor (U.S. Models)

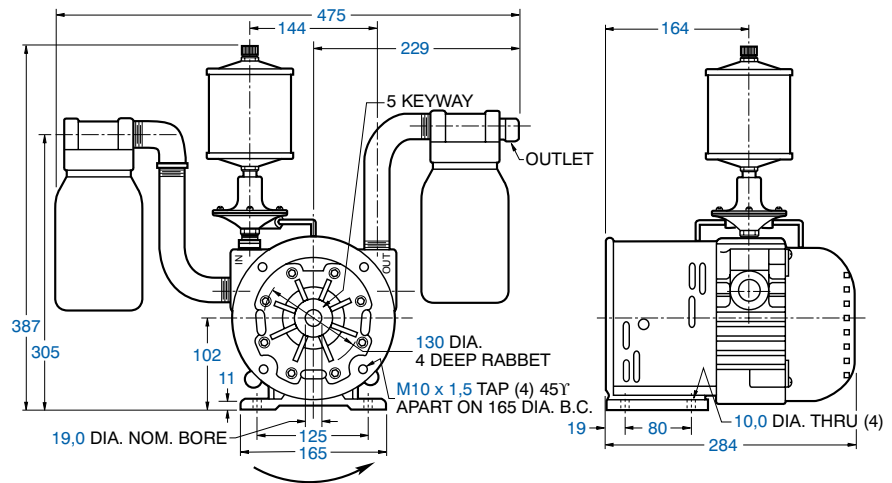
Nema 56 Frame, C Face, Inlet $\frac{3}{4}$ In. Npt



Product Dimensions (inches, mm)

Dimensions are for reference only

Vacuum Pump (Metric Model)
Inlet 3/4 In. Bsp Metric D90s Mounting



Product Specifications

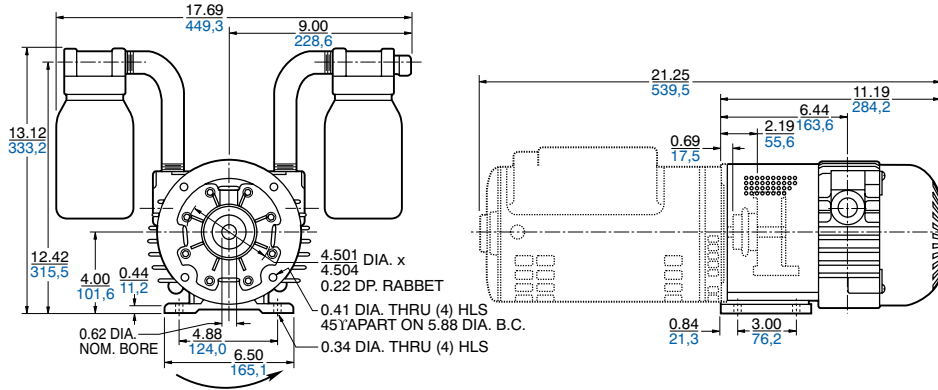
Note: "P" models are pressure, "V" models are vacuum.

Model Number	Motor	RPM		HP	kW	Net Weight	
		60 Hz	50 Hz			lbs	kg
LUBRICATED							
2067-P2	Not included	1725	1425	1½	1,1	46	20,7
2067-V1	Not included	1725	1425	1½	1,1	55	24,8
2567-P2	Not included	1725	1425	2	1,5	48	21,6
2567-V1	Not included	1725	1425	1½	1,1	51	23,0
2567-V5-G471 (like 2567-V1 plus motor)	230/460-60-3	1725	—	1½	1,1	93	41,9
OILLESS							
2067-P102	Not included	1725	1425	1½	1,1	47	21,2
2067-V103	Not included	1725	1425	1½	1,1	55	24,8
2067-V107-G561X (like 2067-V103 plus motor)	110/220-240; 115/208-230;50/60-1	1725	1425	1	0,75	84	37,8
2567-P102	Not included	1725	1425	2	1,5	46	20,7
2567-V103	Not included	1725	1425	1½	1,1	49	22,1
2567-V105 (metric)	Not included	1725	1425	1½	1,1	49	22,1
2567-V107-G471 (like 2567-V103 plus motor)	230/460-60-3	1725	—	1½	1,1	91	41,0
2567-V105-CC110-1*	220/240-380/415-50-3	—	1410	1½	1,1	93	41,9

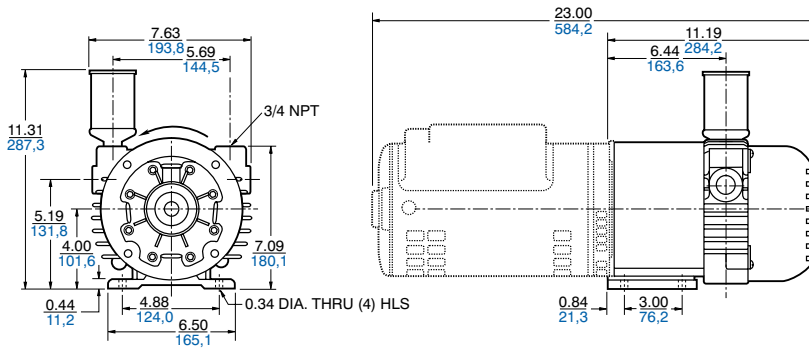
*Available only in Europe

Oilless Versions

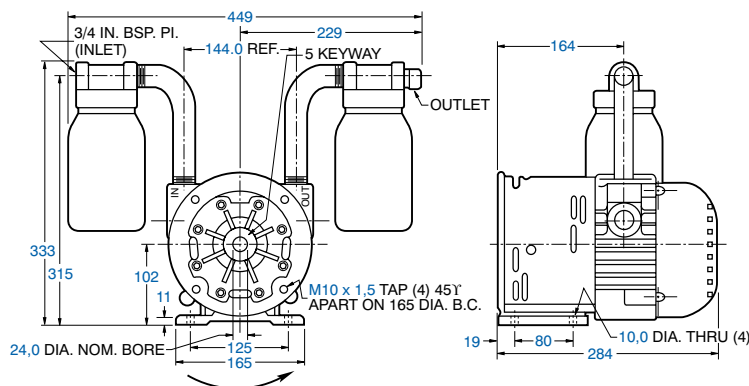
Vacuum Pump (U.S. Models)
Nema 56 Frame, C Face, Inlet 3/4 In. Npt



Compressor (U.S. Models)
Nema 56, C Face



Vacuum Pump (Metric Models)
Inlet 3/4 In. Bsp



Product Specifications

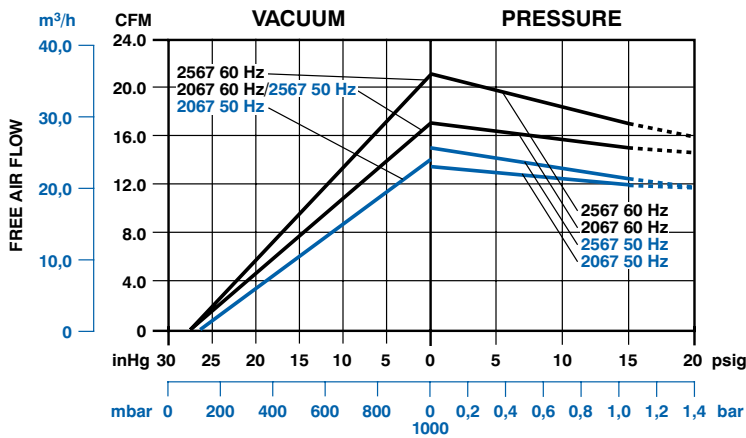
Note: "P" models are pressure, "V" models are vacuum.

Model Number	Motor	RPM		HP	kW	Net Weight	
		60 Hz	50 Hz			lbs	kg
LUBRICATED							
2067-P2	Not included	1725	1425	1½	1,1	46	20,7
2067-V1	Not included	1725	1425	1½	1,1	55	24,8
2567-P2	Not included	1725	1425	2	1,5	48	21,6
2567-V1	Not included	1725	1425	1½	1,1	51	23,0
2567-V5-G471 (like 2567-V1 plus motor)	230/460-60-3	1725	—	1½	1,1	93	41,9
OILLESS							
2067-P102	Not included	1725	1425	1½	1,1	47	21,2
2067-V103	Not included	1725	1425	1½	1,1	55	24,8
2067-V107-G561X (like 2067-V103 plus motor)	110/220-240; 115/208-230;50/60-1	1725	1425	1	0,75	84	37,8
2567-P102	Not included	1725	1425	2	1,5	46	20,7
2567-V103	Not included	1725	1425	1½	1,1	49	22,1
2567-V105 (metric)	Not included	1725	1425	1½	1,1	49	22,1
2567-V107-G471 (like 2567-V103 plus motor)	230/460-60-3	1725	—	1½	1,1	91	41,0
2567-V105-CC110-1*	220/240-380/415-50-3	—	1410	1½	1,1	93	41,9

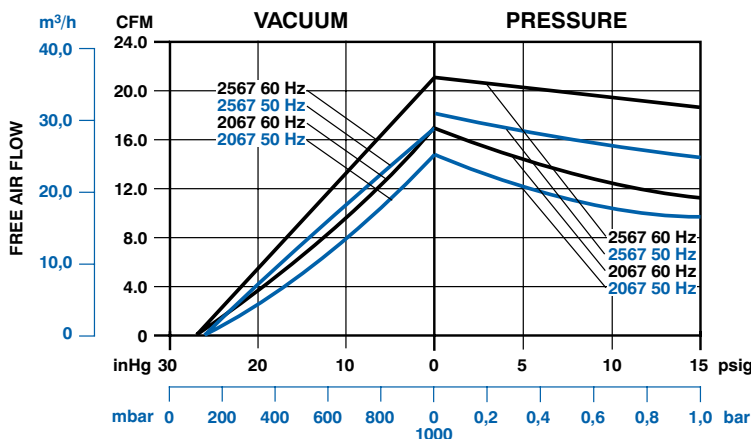
* Available only in Europe.

Product Performance

Lubricated



Oilless





*This dual function series comes with motor attached.

Model 2567 Series Dual Function

Ideal for graphic arts applications where simultaneous vacuum and pressure are needed.

Max. vacuum (with 5 psi back pressure)
20 inHg
Open flow (vacuum side)
15 CFM

Product Features

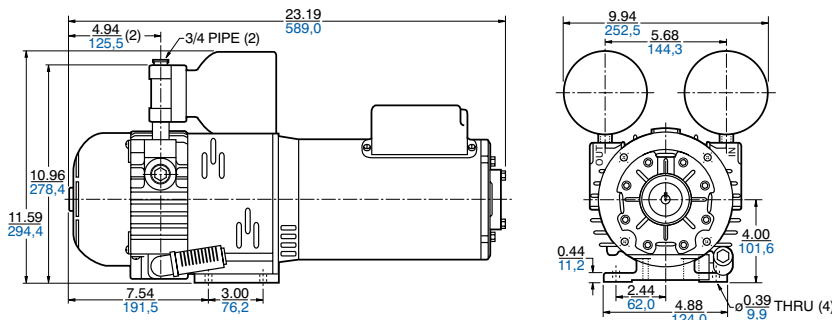
- Oilless operation
- Dual pump performance with (1) pump/ motor
- “Universal” motor included
- Rugged construction/low maintenance

Recommended Accessories

- Vacuum gauge AA640
- Pressure gauge AA644B
- Repair kit K350

Product Dimensions (inches, mm)

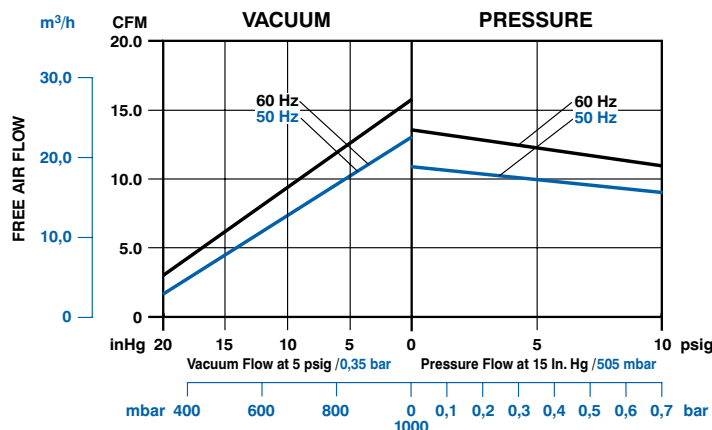
Dimensions are for reference only



Product Specifications

Model Number	Motor	RPM		HP (60 Hz)	kW (60 Hz)	Net Weight	
		60 Hz	50 Hz			lbs	kg
2567-D122-G561X	115/208-230-60-1	1725	1425	1	0,75	90	40,5
	110/200-240-50-1						
2567-D122-G471	208-230/460-60-3	1725	1425	1½	1,1	90	40,5
	220/380-415-50-3						

Product Performance





Model shown without gauge or relief valve which are attached on standard motor mounted units.

Model 2080 Series

26 inHg max. vacuum
25 CFM open flow
15 psi max. pressure

Model 2080 Dual Function

Ideal for graphic arts applications where simultaneous vacuum and pressure are needed.
9 psi max. pressure (@ 18 inHg)
15 CFM open flow (pressure side)

Model 3080 Series

26 inHg max. vacuum
35 CFM open flow
15 psi max. pressure

Model 3080 Dual Function

Ideal for graphic arts applications where simultaneous vacuum and pressure are needed.
9 psi max. pressure (@ 18 inHg)
21 CFM open flow (pressure side)

Model 4080 Series

25 inHg max. vacuum
45 CFM open flow
15 psi max. pressure

Model 4080 Dual Function

Ideal for graphic arts applications where simultaneous vacuum and pressure are needed.
9 psi max. pressure (@ 18 inHg)
25 CFM open flow (pressure side)

Product Features

- Oilless operation
- Rugged construction/low maintenance
- Low noise

Includes

- Internal sound suppression
- Heavy duty internal filtration
- Vacuum adjustable relief valve *AN226, metric version AN226A (Vacuum pump, dual function)
- Pressure adjustable relief valve *AN225, metric version AN225A (Compressor, dual function)
- Vacuum gauge *AA640 (Vacuum pump, dual function)
- Pressure gauge *AA644B (Compressor, dual function)

* Not included in separate drive models

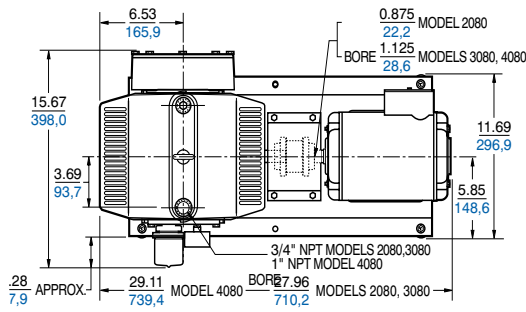
Recommended Accessories

- Filter/muffler kits:
K552 (Compressor or vacuum pump)
K547 (Dual function models)
- Complete repair kits:
K546 (Compressor or vacuum pump)
K551 (Dual function models)

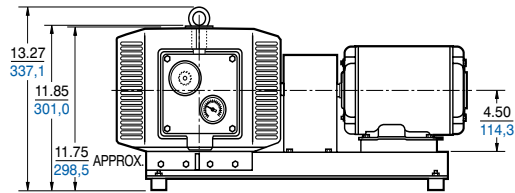
Product Dimensions (inches, mm)

Dimensions are for reference only

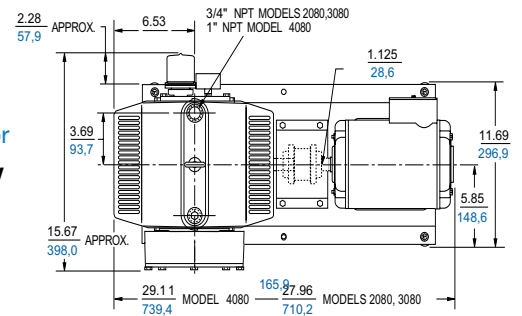
Vacuum Pump
Top View



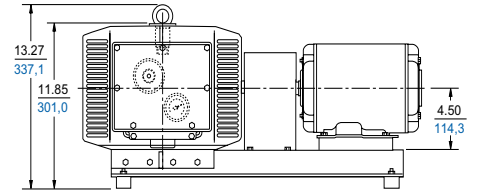
Side View



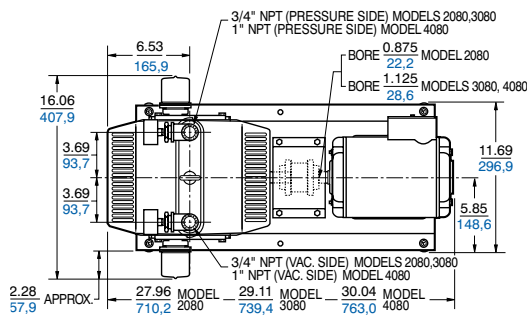
Compressor
Top View



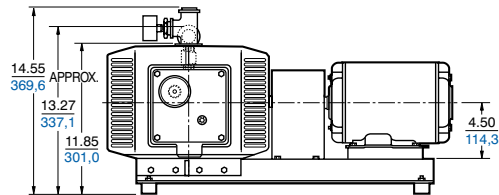
Side View



Dual Function
Top View



Side View



Product Specifications

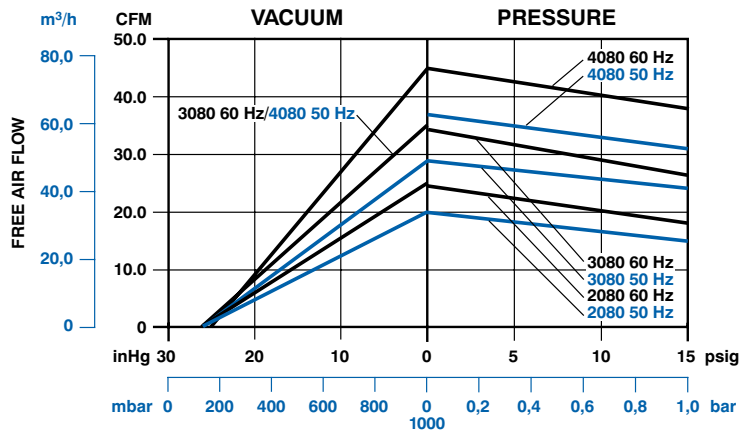
Note: "P" models are pressure, "V" models are vacuum, "D" models are dual function.

Model Number	Motor*	RPM		HP	kW	Net Weight	
		60 cycle	50 cycle			lbs	kg
2080-V102	Not included	1725	1425	2	1,5	91	41,0
2080-V128-T337	230/460-60-3	1725	—	2	1,5	125	56,3
2080-D129-T337	230/460-60-3	1725	1425	2	1,5	132	59,4
3080-P101	Not included	1725	1425	3	2,2	92	41,4
3080-P127-T338	208-230/460-60-3	1725	—	3	2,2	126	56,7
3080-V102	Not included	1725	1425	2	1,5	92	41,4
3080-V128-T337	230/460-60-3	1725	—	2	1,5	126	56,7
3080-D103	Not included	1725	1425	3	2,2	87	39,2
3080-D129-T338	208-230/460-60-3	1725	—	3	2,2	133	59,9
4080-P101	Not included	1725	1425	5	3,7	93	41,9
4080-P127-T339	208-230/460-60-3	1725	—	5	3,7	127	57,2
4080-V102	Not included	1725	1425	3	2,2	93	41,9
4080-V128-T338	208-230/460-60-3	1725	—	3	2,2	127	57,2
4080-D103	Not included	1725	1425	5	3,7	88	39,6
4080-D129-T339	208-230/460-60-3	1725	—	5	3,7	135	60,8

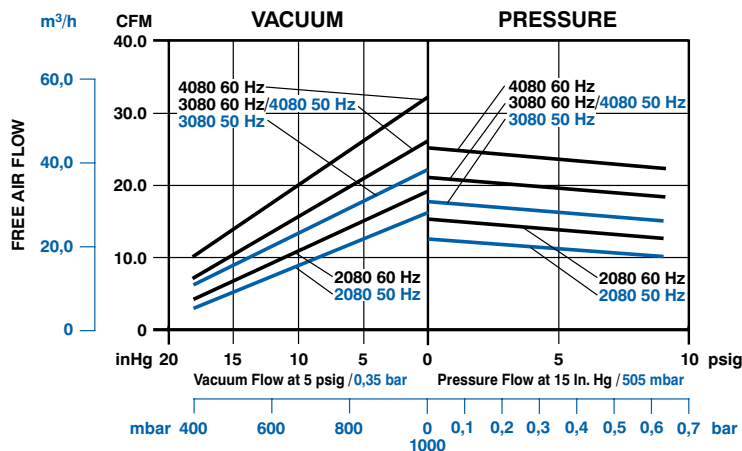
*Gast recommends magnetic starter for electric motor, consult electrician for correct size.

Product Performance

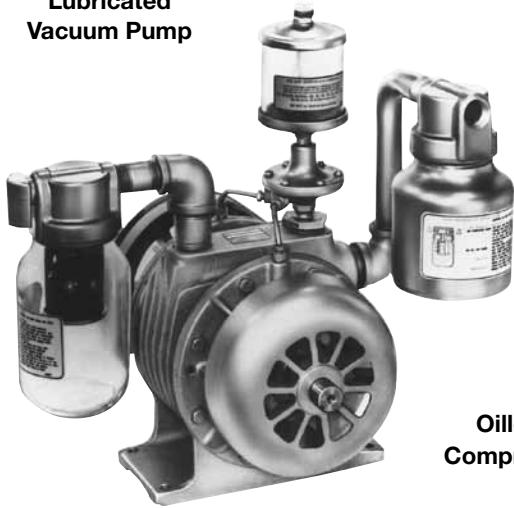
Single Function



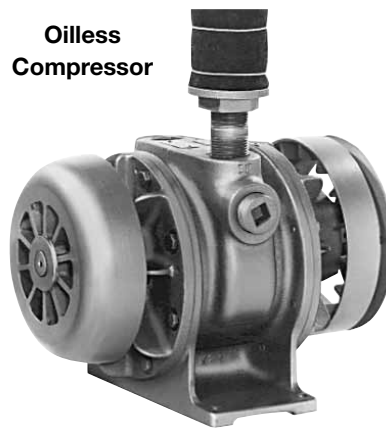
Dual Function



Lubricated Vacuum Pump



Oilless Compressor



Model 3040 Series

- 20 inHg max. vacuum
- 10 psi max. pressure
- 31 CFM open flow (oilless)
- 40 CFM open flow (lubricated)

Features

- Lubricated or oilless operation
- Pulley driven (multiple speeds available)
- Rugged construction/low maintenance
- Essentially pulse-free service

Includes

- Filter AA900D (Oilless)
- AB650C (Lubricated) – Vacuum pumps
- Filter AD750 – Compressors
- Muffler AA900F (Oilless)
- AA900E (Lubricated) – Vacuum pumps
- Oil reservoir AA960A-1
- Vacuum-actuated lubricator V40C (Lubricated)
- Pressure lubricator AD730
- 6.5" P.D. pulley AC374B
- Fan AD236 – Vacuum pumps and oilless compressor

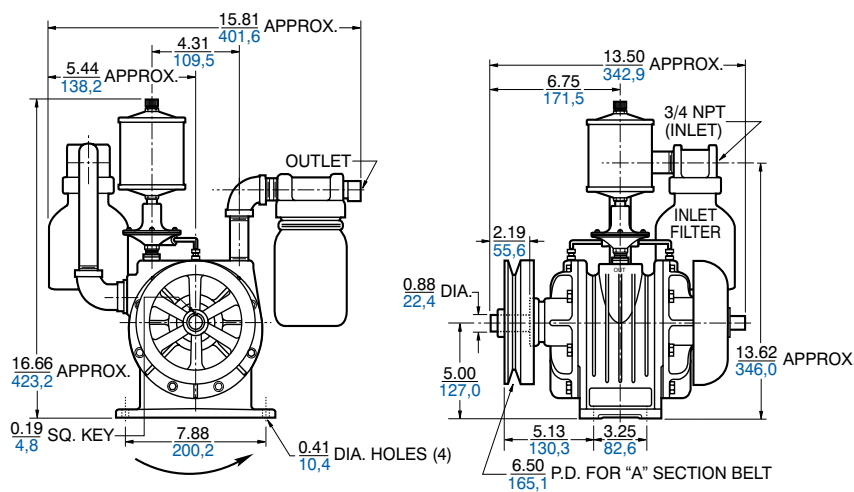
Recommended Accessories

- Base AB898A – Vacuum pumps
- Base AB898B – Compressors
- Belt guard AB331A
- Vacuum relief valve AA308
- Pressure relief valve AA307
- Vacuum gauge AA640
- Pressure gauge AA644B
- Oil AD220 (Lubricated)
- Check valve AH326A – Vacuum pumps
- Repair kit K233A (Oilless), K232A (Lubricated)

Product Dimensions (inches, mm)

Dimensions are for reference only

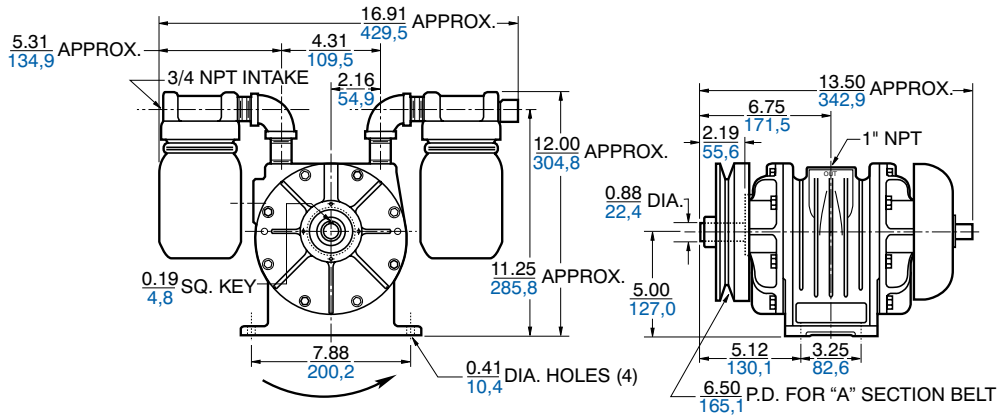
Lubricated Vacuum Pump



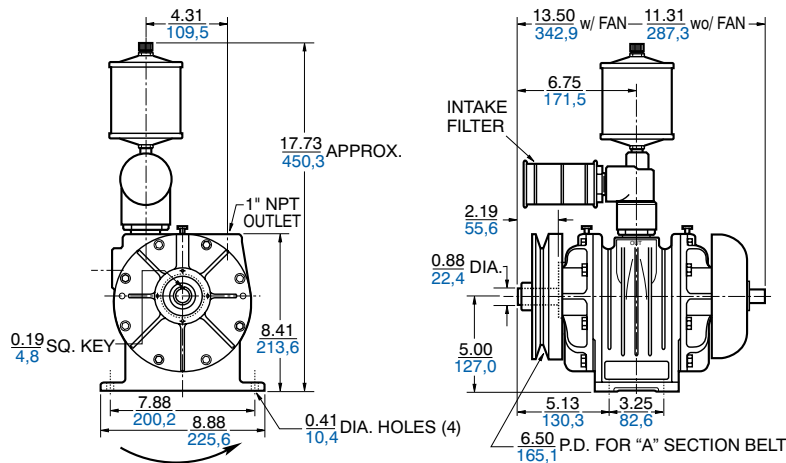
Product Dimensions (inches, mm)

Dimensions are for reference only

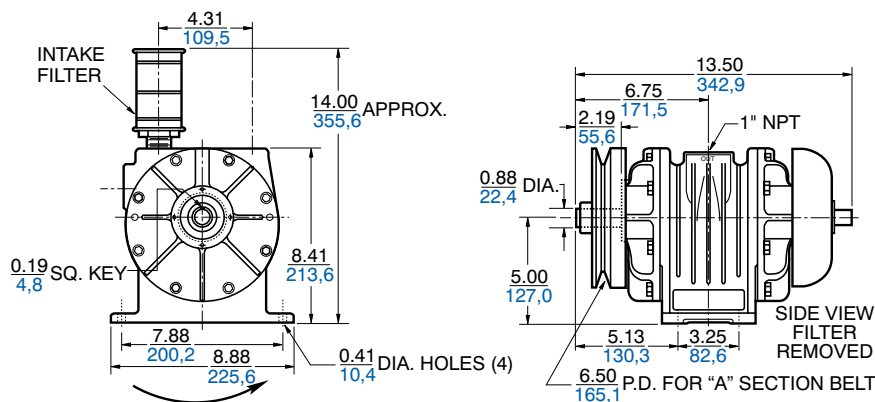
Oilless Vacuum Pump



Lubricated Compressor



Oilless Compressor



Product Specifications

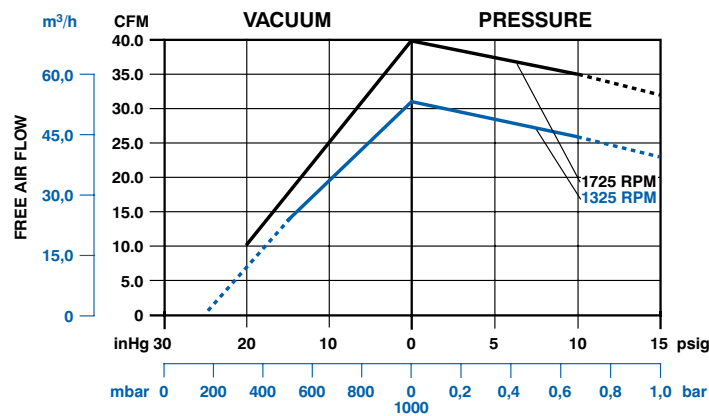
Note: "P" models are pressure, "V" models are vacuum.

Model Number	Motor	Base	Belt Guard	RPM	HP	kW	Net Weight	
							lbs	kg
LUBRICATED								
3040-P17A	—			1325	2	1,5	65	29,3
3040-P32B	—			1725	5	3,7	67	30,2
3040-V20B	—			1325	1½	1,1	69	31,1
3040-V29B	—			1725	2	1,5	71	32,0
3040-V29B-SD150-1*	415-50-3	•	•	1725	2	1,5	139	62,6
OILLESS								
3040-P118B	—			1060	1½	1,1	64	28,8
3040-P119F	—	•	•	1060	1½	1,1	94	42,3
3040-P120F-T336	230/460-60-3	•	•	1060	1½	1,1	126	56,7
3040-P119G	—	•	•	1325	3	2,2	98	44,1
3040-P120G-T338	230/460-60-3	•	•	1325	3	2,2	130	58,5
3040-P118B-SD110-1*	220/240-380/ 415-50-3 TEFC	•	•	1060	1½	1,1	130	58,5
3040-V115A	—			1325	2	1,5	70	31,5
3040-V116E	—	•	•	1060	1½	1,1	100	45,0
3040-V117E-T336	230/460-60-3	•	•	1060	1½	1,1	145	65,3
3040-V116F	—	•	•	1325	2	1,5	100	45,0
3040-V117F-T337	230/460-60-3	•	•	1325	2	1,5	148	66,6
3040-V115A-SD110-1*	220/240-380/ 415-50-3 IP54	•	•	1060	1½	1,1	145	65,3
3040-V115A-SD150-1*	415-50-3	•	•	1325	2	1,5	148	66,6

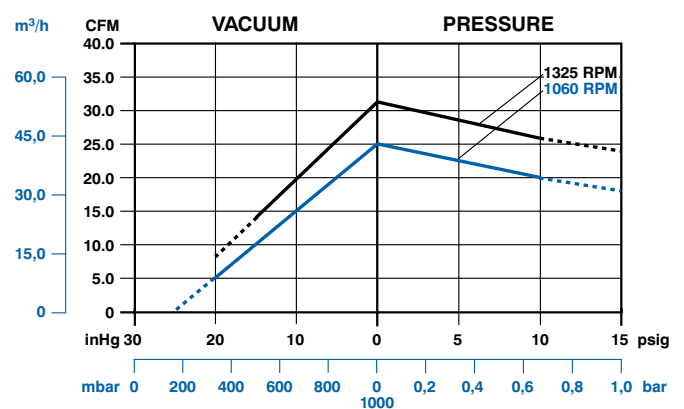
*Available only in Europe.

Product Performance

Lubricated



Oilless



Vacuum Pump



Model 4565 Series

25 inHg max. vacuum
47.5 CFM open flow
15 psi max. pressure

Product Features

- Lubricated operation
- Pulley driven (multiple speeds available)
- Rugged construction/low maintenance
- Essentially pulse-free service

Includes

- Oil reservoir AA960A-1
- 6.5" P.D. pulley AC376B for "A" section belts
- Filter/muffler AD560 (2) on vacuum pump
- Filter AD750 (Compressor)
- Fan AD721
- Vacuum-actuated lubricator V40C (2)
- Pressure lubricator AD730

Recommended Accessories

- Base AB322C
- Vacuum relief valve AA308
- Pressure relief valve AA307
- Vacuum gauge AA640
- Pressure gauge AA644B
- Oil AD220
- Belt guard AB331B-1
- Repair kit K242 (Vacuum Pump)
- Repair kit K243 (Compressor)

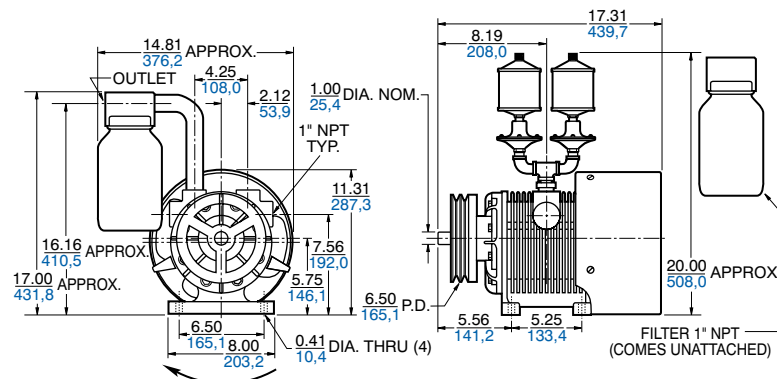
Compressor



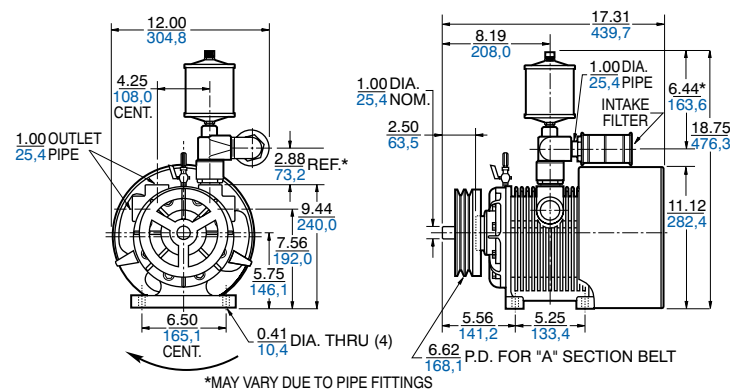
Product Dimensions (inches, mm)

Dimensions are for reference only

Vacuum Pump



Compressor

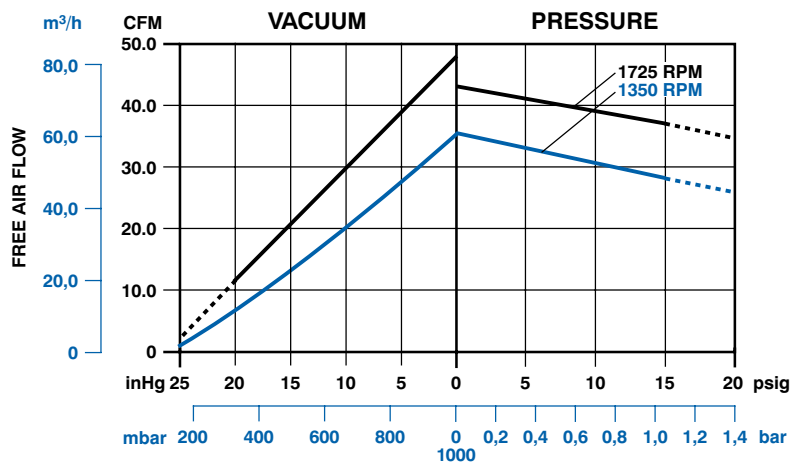


Product Specifications Note: "P" models are pressure, "V" models are vacuum.

Model Number	Motor	Base	Belt Guard	RPM	HP	kW	Net Weight	
							lbs	kg
4565-P3	—	—	—	1725	5	3,7	103	46,4
4565-V6*/4565-V6A	—	—	—	1725	3	2,2	105	47,3
4565-V15D	—	•	•	1350	3	2,2	127	57,2
4565-V15D-T338	230/460-60-3	•	•	1350	3	2,2	187	84,2
4565-V15E	—	•	•	1725	3	2,2	127	57,2
4565-V15E-T338	230/460-60-3	•	•	1725	3	2,2	187	84,2

*Model 4565-V6 is the stock version and comes with plumbing unattached.

Product Performance





Model 5565 Series

25 inHg max. vacuum
55 CFM open flow

Product Features

- Lubricated operation
- Rugged construction/low maintenance
- Essentially pulse-free service

Includes

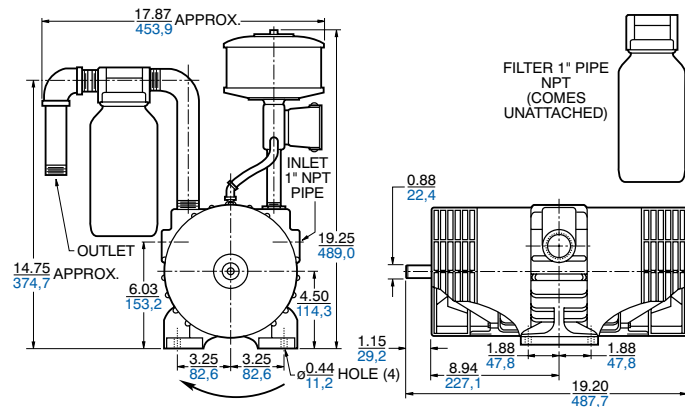
- Filter AD560
- Muffler AD560B
- Oil reservoir AD185
- Motorized lubricator AD190-V4
- Coupling AE544B-1 (.88" x 1.13")

Recommended Accessories

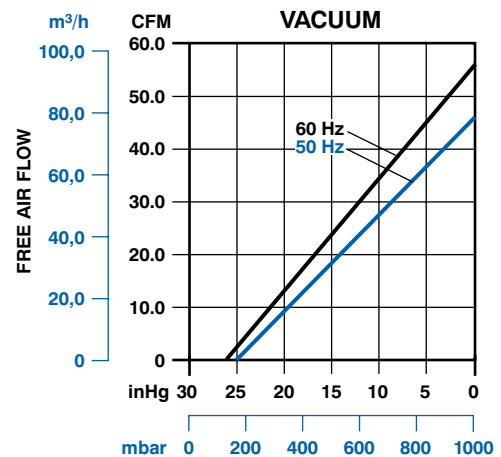
- Base AB322E
- Vacuum relief valve AE961
- Vacuum gauge AA640
- Oil AD220
- Repair kit K299
- Coupling guard AH380B-1

Product Dimensions (inches, mm)

Dimensions are for reference only



Product Performance



Product Specifications Note: "P" models are pressure, "V" models are vacuum.

Model Number	Motor	Base	Belt Guard	RPM	HP	kW	Net Weight	
							lbs	kg
4565-P3	—	—	—	1725	5	3,7	103	46,4
4565-V6*/4565-V6A	—	—	—	1725	3	2,2	105	47,3
4565-V15D	—	•	•	1350	3	2,2	127	57,2
4565-V15D-T338	230/460-60-3	•	•	1350	3	2,2	187	84,2
4565-V15E	—	•	•	1725	3	2,2	127	57,2
4565-V15E-T338	230/460-60-3	•	•	1725	3	2,2	187	84,2

*Model 4565-V6 is the stock version and comes with plumbing unattached.

Vacuum Pump



Compressor



Model 6066 Series

25 inHg max. vacuum
55 CFM open flow
15 psi max. pressure

Product Features

- Oilless operation
- Rugged construction/low maintenance
- Essentially pulse-free service

Includes

- Filter AD560
- Muffler AD560B
- Coupling AE544B-1 (.88" x 1.13") – Vacuum pump
- Coupling AE765 (.88" x 1.13") – Compressor
- Check valve AH326B

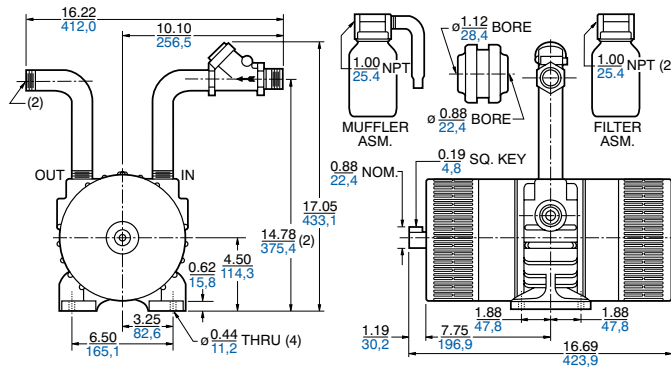
Recommended Accessories

- Vacuum relief valve AE961
- Pressure relief valve AA307
- Vacuum gauge AA640
- Pressure gauge AA644B
- Coupling guard AH380B-1
- Base AB322E
- Repair kit K503

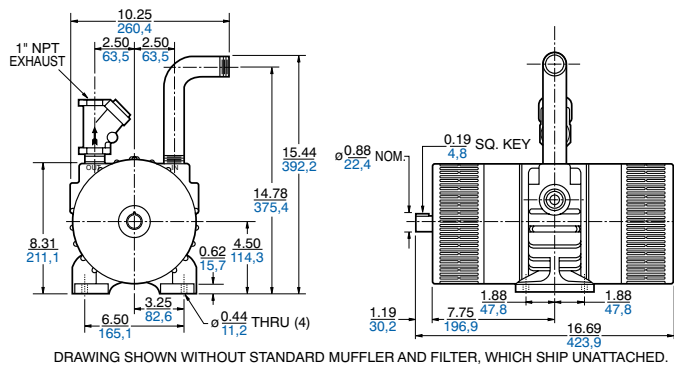
Product Dimensions (inches, mm)

Dimensions are for reference only

Vacuum Pump



Compressor

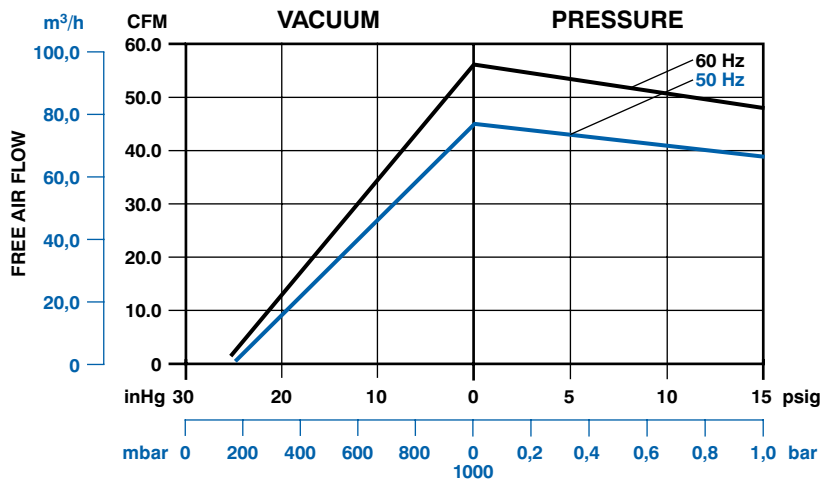


Product Specifications Note: "P" models are pressure, "V" models are vacuum.

Model Number	Motor	Base	Coupling Guard	RPM		HP	kW	Net Weight	
				60 Hz	50 Hz			lbs	kg
6066-P102	—			1725	—	5	3,73	88	39,6
6066-P106A-T339	230/460-60-3	•	•	1725	—	5	3,73	203	91,4
6066-P108-SD400-1*	415-50-3	•	•	—	1425	5	3,73	203	91,4
6066-V103	—			1725	—	5	3,73	92	41,4
6066-V105A	—	•	•	1725	—	5	3,73	114	51,3
6066-V107A-T339	230/460-60-3	•	•	1725	—	5	3,73	183	82,4
6066-V109-BC630-1*	415-50-3	•	•	—	1425	3	2,2	172	77,4

*Available only in Europe.

Product Performance



Model 0823



Model 0823

10 psi max. continuous pressure
8 CFM open flow

Models 2080/3080

15 psi max. pressure
25-35 CFM open flow

Models 2067/2567

20 psi max. pressure
17-21 CFM open flow

Models 6066

20 psi max. pressure
37-55 CFM open flow

Models 1290

20 psi max. pressure
112 CFM open flow

Recommended Accessories

- Pressure gauge AA644B
- Relief valves:
AA600 (0823)
AN225 (2080, 3080)
AA307 (2067, 2567, 6066, 1290)
- Repair kits:
K479A (0823)
K546 (2080, 3080)
K585 (filter/muffler kit for 2080)
K584 (filter/muffler kit for 3080)
K357 (2067, 2567)
K503 (6066, 1290 – use 2)

Model 2067/2567



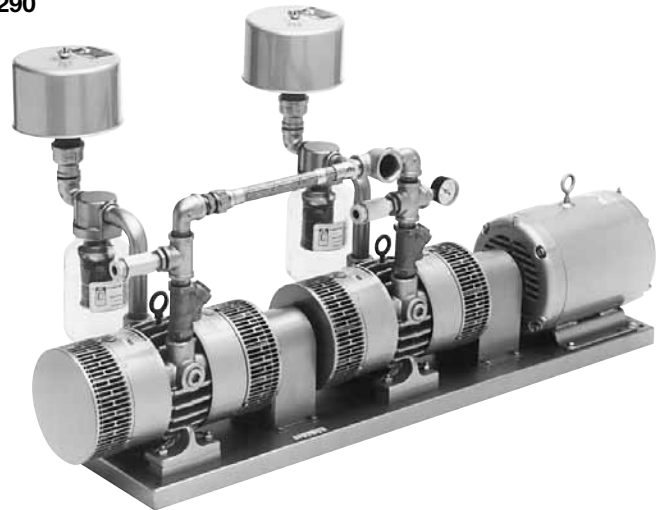
Product Features

- Oilless operation
- Rugged construction/low maintenance
- Heavy-duty filters

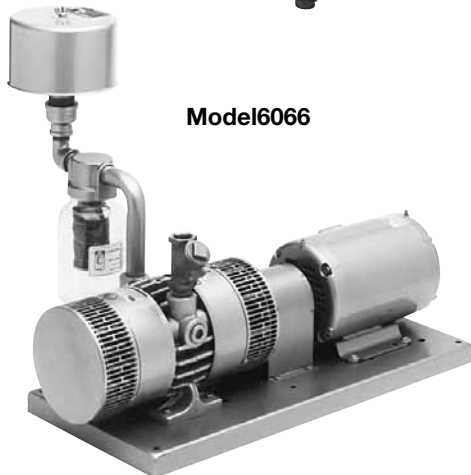
Model 2080/3080



Model 1290



Model 6066

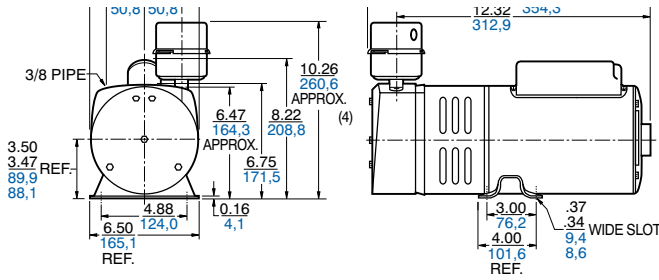


Units are supplied with special, high capacity filtration plus motors that allow up to 30% more pressure than the standard model counterpart.

Product Dimensions (inches, mm)

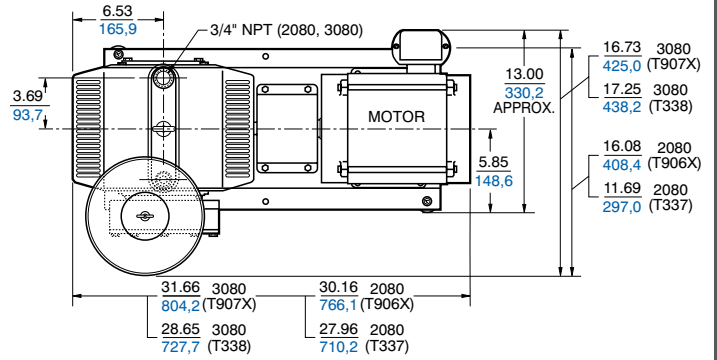
Dimensions are for reference only

Model 0823

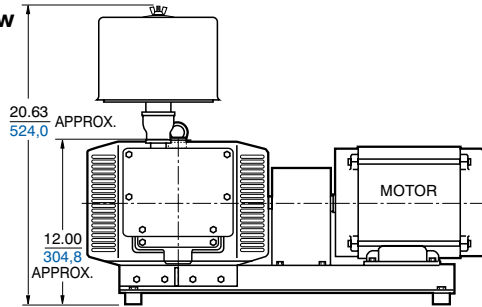


Models 2080/3080

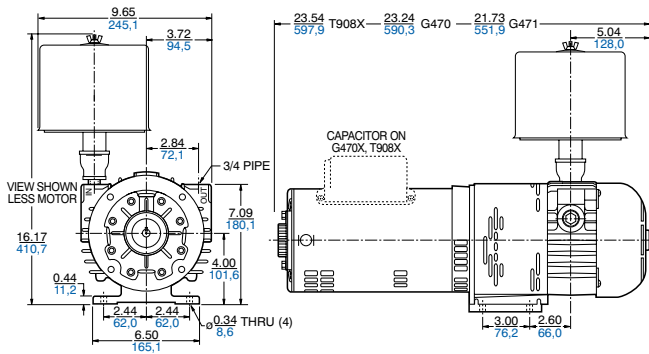
Top View



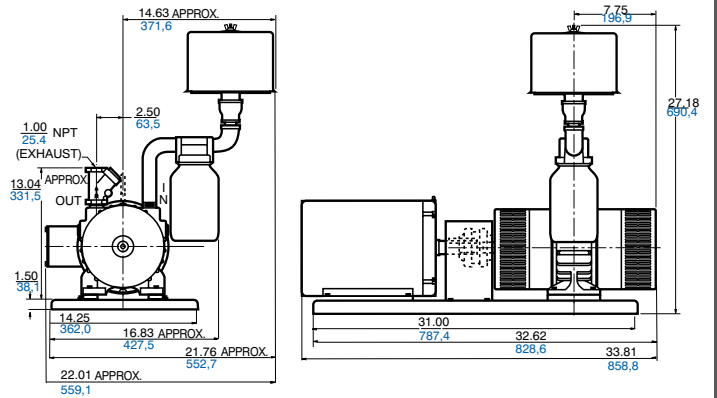
Side View



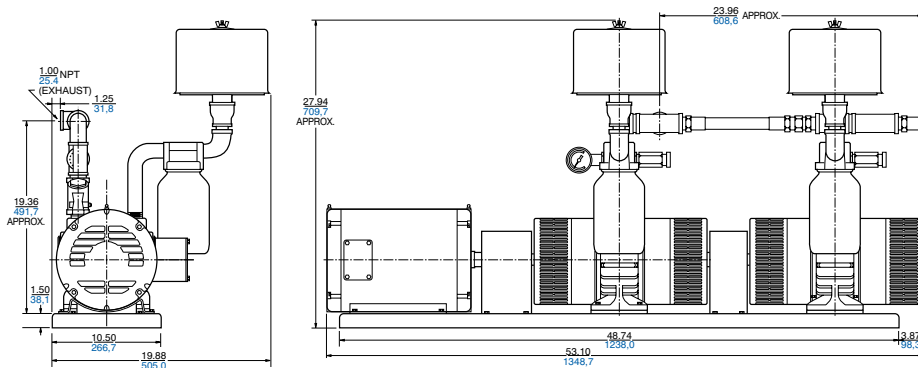
Models 2067/2567



Models 6066



Models 1290



Product Specifications

Note: All models are compressors.

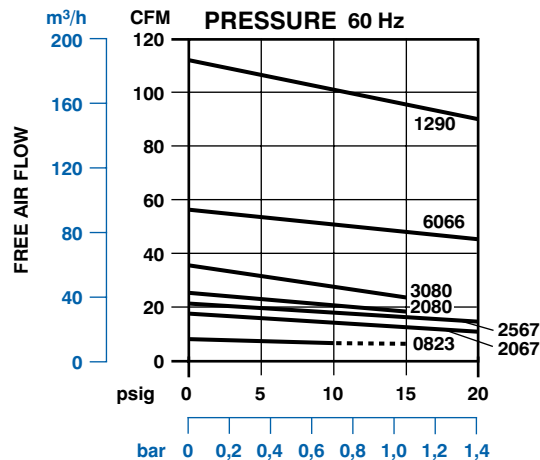
Model Number	Motor	RPM		HP	kW	Net Weight	
		60 cycle	50 cycle			lbs	kg
0823-P155-SG608X*	100-110/220-240-50-1 110-115/208-230-60-1	1725	1425	3/4	0,56	50	22,5
2080-P124-T337†	230/460-60-3	1725	—	2	1,5	135	60,8
3080-P124-T338†	208-230/460-60-3	1725	—	3	2,2	160	72,0
2067-P118-G470X†	115/230-60-1	1725	—	1½	1,1	84	37,8
2067-P118-G471*†	220/380-415-50-3 208-230/460-60-3	1725	1425	1 1½	0,75 1,1	84	37,8
2567-P132-T908X†	115/230-60-1	1725	—	2	1,5	85	38,3
6066-P122A	For 213T or 215T frame motor	1725	—	7 ½	5,6	88	39,6
6066-P122-T339***†	208-230/460-60-3	1725	—	5	3,7	205	92,3
1290-P110	For 215T frame motor	1725	—	10	7,5	220	99,7
1290-P110A	For 254T frame motor	1725	—	15	11,1	230	104,0

*For 50 Hz performance, reduce air flow on grid by approximately 17%.

***These models are capable of 15 psi max. performance, reference performance grid below.

†Also available as separate drive, less the motor. To order as a separate drive version, specify the first two sets of digits only of this model number. Consult factory or distributor for the correct Nema frame size motor to use. Customer supplied motor must have minimum service factor of 1.15.

Product Performance





Gast Manufacturing, Inc.

A Unit of IDEX Corporation
Post Office Box 97
2300 M-139 Highway
Benton Harbor, Michigan 49023-0097
Phone 269-926-6171
Fax 269-925-8288
www.gastmfg.com

Gast Hong Kong

Room 6, 9/F, New Commerce Centre
19 On Sum Street, Shatin
Hong Kong
Phone 852-2690-1008
Fax 852-2690-1012

Gast Group Ltd.

A Unit of IDEX Corporation
Unit 11, The I O Centre
Nash Road
Redditch, B98 7AS
United Kingdom
Phone +44 (0)1527-504040
Fax +44 (0)1527-525262