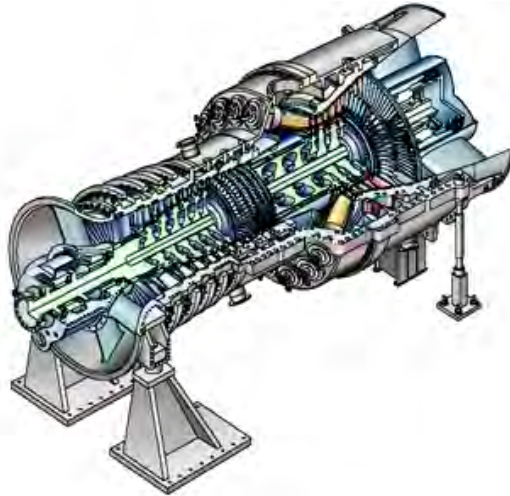




**SEE THINGS
DIFFERENTLY**

Innovations

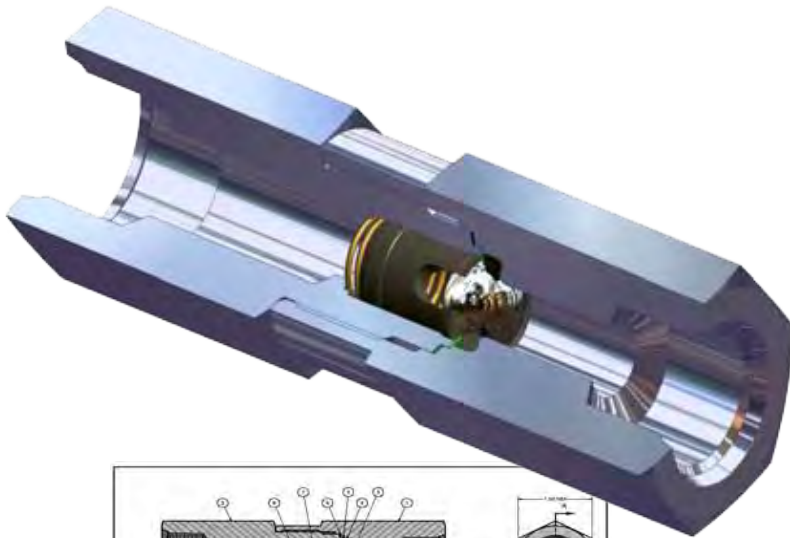
Power Generation



The Challenge:

The Siemens SGT5-8000H gas turbine is the result of years of R & D in the quest to develop a turbine that offers operational flexibility at lower life-cycle costs. This new gas turbine is rated at 340 megawatts, roughly equivalent to the power output of 1100 Porsche 911's or 13 jumbo jets. The prototype unit, weighing over 440 metric tons, runs on natural gas with a liquid fuel option.

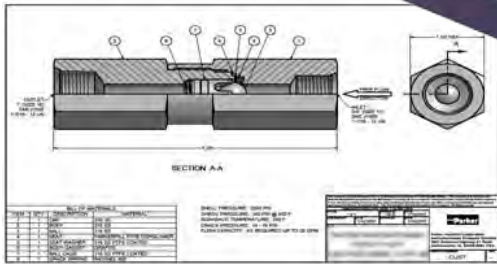
How do you keep it clean?



The Solution:

Provide valve-filter assemblies that protect from debris and contamination...

Parker IPD provided a special CB check valve for water injection and separate ones for liquid fuel. These are similar to Parker CB standards currently used on all new Siemens dual fuel turbines. The check valve-filter assemblies provide large particulate protection of the critical fuel nozzles and keep the check valve seats free of leak-causing debris.



Connect with the experts at RG Group to discuss your latest challenge!

1.877.870.2692

customer.service@rg-group.com

www.rg-group.com

