

Custom Modifications, Options, Innovations and Application Engineering Data

Parker offers you the widest range of Hydraulic and Pneumatic Cylinder Modifications and Options...all available to meet your particular cylinder design requirements of today...and tomorrow. We have a selection that lets you “customize” cylinders to fit your application and help reduce your operating costs. At Parker we’re ready to give you any and all the technical assistance you need to provide you with the modified standard cylinder design you need to meet your requirements.

Features and Modifications

Table of Features and Modifications Available on Parker Hydraulic and Pneumatic Cylinders2-3

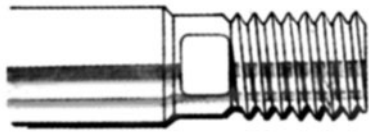
Innovations

Parker Hi-Load Piston	4-5
EPS 5 & 7 Proximity Switches.....	7-17
EPS 6 D.C. Proximity Switch.....	9-17
CLS Magnetic Sensors.....	10-17
Style 55 Rod End, Safety Coupler, and Weld Plate	18-19
Piston Bumper Seals.....	20
Linear Alignment Coupler.....	21-22
Water Submersible Option Series 2H and 3H.....	23-24
LRT Controllers	28-31
Switch with Quick Connect/Switch Cordsets	32
Low Friction Gland and Piston.....	34-35
Intensifiers	71-78

Cylinder Parts Identification and Seal Kit Data (Index pg. 40) 40-70

Application Engineering Data (Index pg. 79) ... 79-130

Custom Options and Modifications

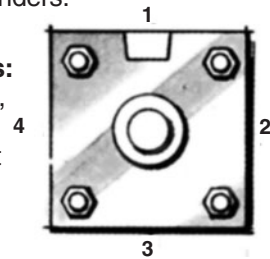


Special rod ends: If you require a rod-end configuration other than the standard catalog styles available, we can provide it. Dimensional sketches should accompany orders for cylinders equipped with such rod-ends.

Two times standard length: Studded rod-end threads: Two times standard length rod-end threads are available using high strength steel studs on many industrial type cylinders.

Port and cushion valve position changes:

On NFPA type cylinders, ports, are normally at position 1. By calling out the position numbers for the desired locations for head and cap ports, many mounting styles can be assembled with ports located at 90° or 180° from standard.



In such special assemblies the cushion needle and check valves are also repositioned because their relation with the port position does not change.

The cushion needle valve is interchangeable with the check valve in many cylinder heads. The cushion needle valve can be assembled on side 4 with check valve on side 2 for most mountings when the port is at the standard side position.

On Trunnion mounting styles D, DB and DD, the cushion needle valves are provided only on the side position 3 or the head or cap which accommodates the mounting. The opposite head or cap can be rotated.

The location of the cushion needle valve or check valve can be located in relation to the port at the customers' request.

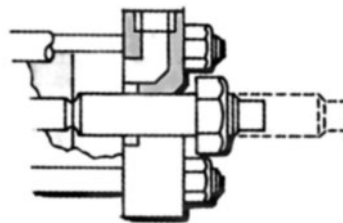
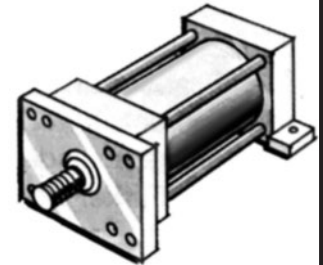
Other port options: Extra ports: If specified on your order, most industrial cylinders can be supplied with extra ports on the sides of heads or caps that are not occupied by mountings or cushion valves.

SAE ports: The SAE straight-thread O-ring port is recommended for hydraulic applications. It can be furnished on most cylinders on request.

Oversize ports: Oversize NPTF ports can be provided on most cylinders. Welded port bosses, one size larger than standard, are provided which protrude from the side of the head or cap. Special thicker heads or caps can also be supplied for extra oversize ports.

Mounting combinations:

On NFPA type cylinders, we can provide standard mountings in different combinations. For example, style J, rectangular flange mount, on head end with style C, side lug mount, on cap end.



Stroke adjusters:

If you require an adjustable stroke, we have several stroke adjusters, including the one shown. It is suitable for infrequent adjustment and is economical.

Spring return: Many standard double-acting cylinders can be modified to single-acting, spring return cylinders. This depends on the load conditions and friction factors as to whether the proper spring can be provided. The factory must also know whether the spring is to advance or return the piston rod. Please consult factory before ordering such cylinders.

Water service: Many standard air cylinders can be modified for water service. This involves adding corrosion-resistant plating to heads, caps and pistons. Stainless steel piston rods with hard chrome plating are also recommended. Maximum operating pressure or load and speed conditions must be considered before ordering due to the lower tensile strength of stainless steel practical for use as piston rods.

For additional information – call your local Parker Cylinder Distributor.

Features and Modifications available on Parker Hydraulic and/or Pneumatic Cylinders

Feature	Hydraulic Series					Pneumatic Series	
	2H	3H	VH	3L	HD	2A	MA
Non-Lube (N)* (1)						●	●
High Water Content Fluids (J)**	●	●	●	●	●		
Special Piston Rod Ends (1)	●	●	●	●	●	●	●
Rod End Threads 2 X Std. Length (1)	●	●	●	●	●	●	●
Port Relocation (2)	●	●	●	●	●	●	●
Extra Ports (2)	●	●	●	●	●	●	●
SAE "O" Ring Port (2)	●	●	●	●	●	●	
Oversize Port (2)	●	●	●	●	●	●	
Mounting Combinations (2)	●	●	●	●	●	●	●
Stroke Adjusters (2)	●	●	●	●	●	●	
Spring Return (5)	●	●	●	●	●	●	●
Spring Extend (5)	●	●	●	●	●	●	●
Water Service (2)	●	●	●	●	●	●	●
Hi-Load Piston (4,1)	●	●	●		●		
CLS Magnetic Sensors	●	●		●	●	●	
Reed Switches							●
Fluorocarbon Seals (3)	●	●	●	●	●	●	●
Rod End Boots (2)	●	●	●	●	●	●	
Manifold Ports (2)	●	●	●	●	●	●	
Metallic Rod Wiper (2)	●	●	●	●	●	●	
Gland Drain (2)	●	●	●	●	●		
Air Bleeds (2)	●	●	●	●	●		
Thrust Key (2)	●	●	●	●	●	●	
Spherical Bearings (4)	●			●	●	●	
EPS Proximity Switches	●	●		●	●	●	
Hall Effect Limit Switches							●
Style 55 Rod End	●	●	●	●	●	●	●

*Modification suffix ie: 2AN or MAN respectively.

**Modification suffix ie: 2HJ, 3LJ, HDJ respectively.

(1) See Catalog Section for details.

(2) See Application Engineering Section for details.

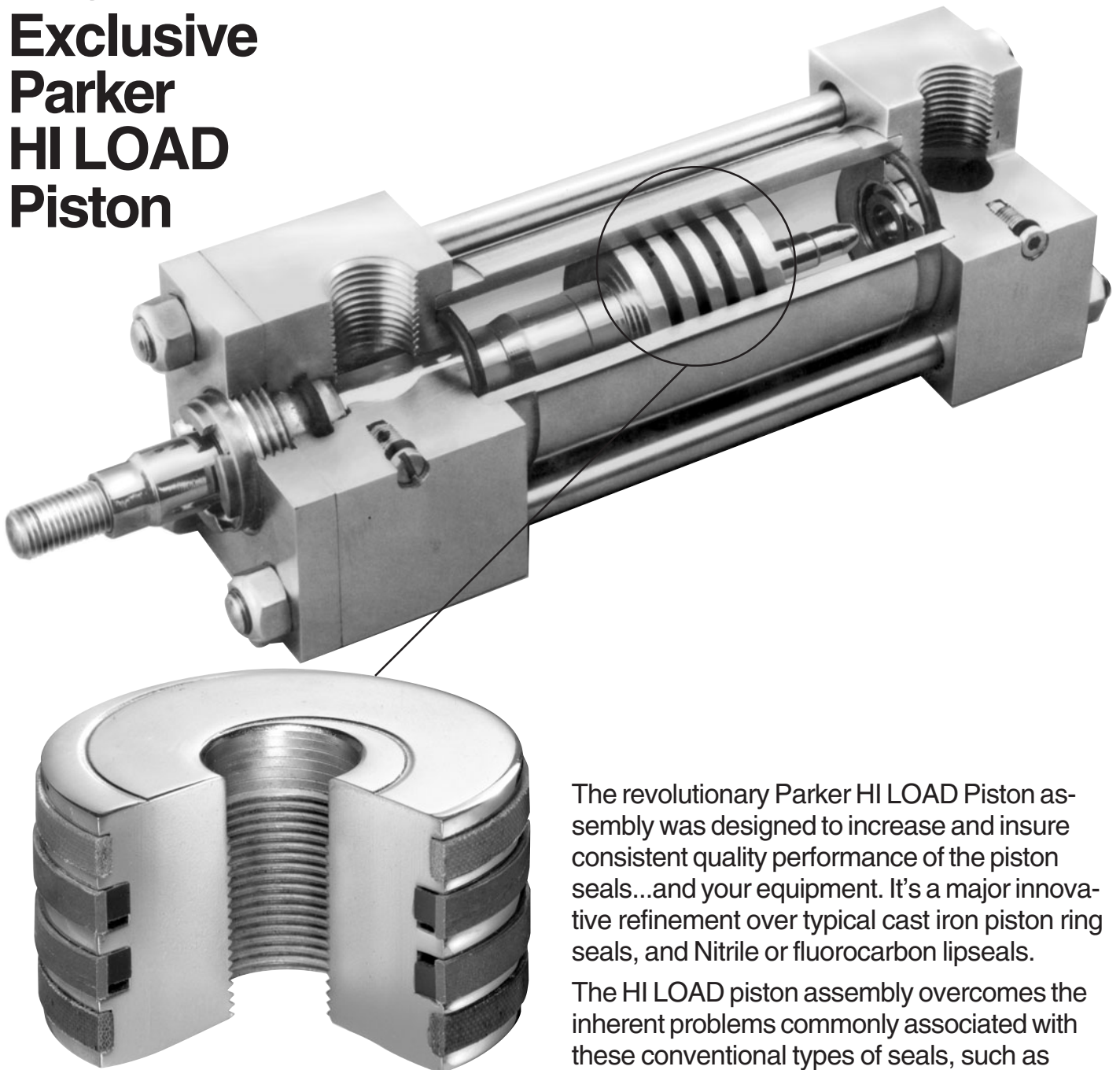
(3) See Maintenance Section for details.

(4) See Innovations Section for details.

(5) Consult factory.

For Cylinder Division Plant Locations – See Page II.

The Exclusive Parker HI LOAD Piston



- Virtually eliminates leakage
- HI LOAD capacity
- High contamination tolerance
- Long life
- Low friction

The revolutionary Parker HI LOAD Piston assembly was designed to increase and insure consistent quality performance of the piston seals...and your equipment. It's a major innovative refinement over typical cast iron piston ring seals, and Nitrile or fluorocarbon lipseals.

The HI LOAD piston assembly overcomes the inherent problems commonly associated with these conventional types of seals, such as scoring of the cylinder bore due to contamination, and it virtually eliminates leakage flow. It can also reduce or eliminate the need for stop tubing. It has much greater side load carrying capacity. And most importantly, even at pressures up to 3,000 psi, it has a longer wearing life than any seal we have tested to date.

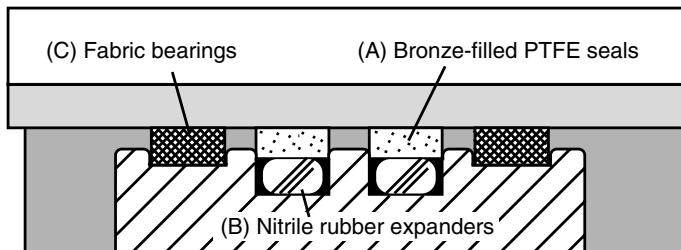
For additional information – call your local Parker Cylinder Distributor.

The exclusive Parker HI LOAD Piston

The effective difference...

Parker's bronze-filled PTFE ring design.

The HI LOAD piston assembly is comprised of two square-cut bronze-filled PTFE piston rings (A) with Nitrile rubber expanders underneath (B) and two non-metallic wear rings (C) which uniquely work together, incorporating the best qualities of both elements to achieve dramatic efficiency.



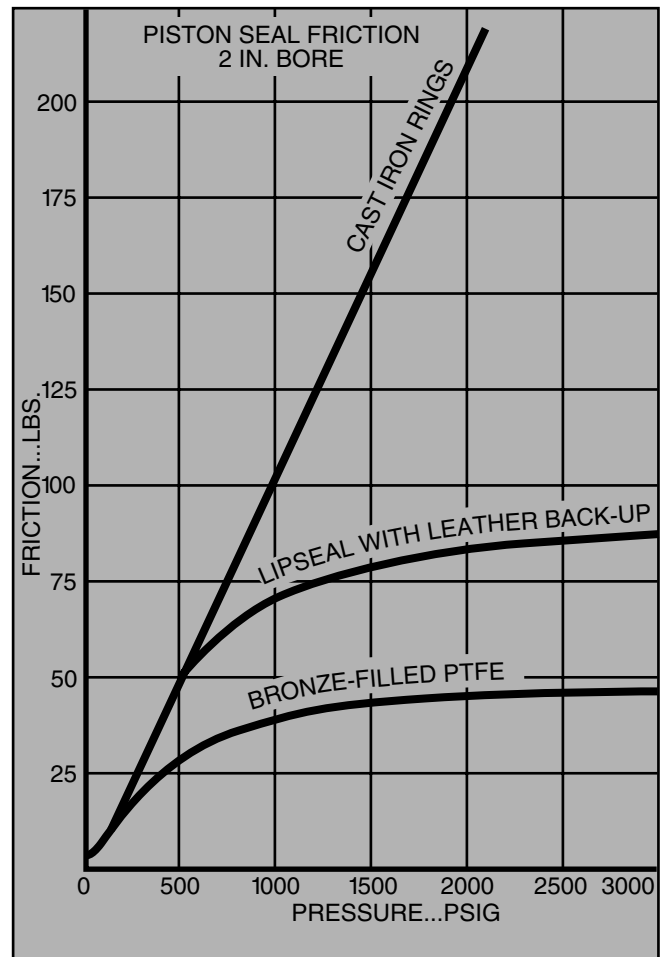
Reduced scoring. Low friction. The non-metallic wear rings eliminate all metal-to-metal contact between the piston and cylinder body. Some scoring may occur even with the use of compatible materials such as cast iron or bronze for the piston and steel for the cylinder body. The combination of the high imbeddability factor and the wiping action of the wear rings prevent contamination from getting between the piston bearing and sealing surfaces, therefore, scoring is greatly reduced. This also contributes to the extended life of the bronze-filled PTFE rings. Other benefits of the Hi Load piston are excellent lubricity and minimum wear when using water-based fluids, soluble oil and water and biodegradable fluids.

Extensive controlled contamination tests in our laboratory have shown the HI LOAD piston to operate more than **4 times longer** than lip seals when high degrees of contamination are present.

Note: Because the HI LOAD piston prevents metal-to-metal contact with the cylinder bore, steel pistons may be used which are stronger than other types.

Higher side load carrying capacity. Under severe side load conditions such as long stroke or pivot mounted cylinders the characteristics of non-metallic wear rings provides increased side load carrying capability, which is another distinctive benefit. Non-metallic bearings can also absorb shock, and with increased side load can give and thus conform more to piston and cylinder body. The action of deformation increases the area of contact, which in turn keeps the contact stresses from increasing and permits the HI LOAD piston to have a higher side load carrying capacity. This can often reduce or eliminate the need for stop tubing.

Comparative Piston Seal Friction



Virtually zero leakage. The HI LOAD piston assembly means virtually zero leakage with hydraulic and/or water base fluids because of the continuous bronze-filled PTFE rings with a homogenous inner ring of Nitrile rubber to apply seal preloading. The Nitrile expanders provide enough initial radial force to eliminate low pressure leakage. At higher pressure (above 2,000 psi) the seals are pressurized underneath, and are therefore dynamically self-sealing just as cast iron rings are.

The bronze-filled PTFE resists extrusion in the clearance between the piston much better than Nitrile, and, as a result, provides at least double the life, increasing life spans as pressure goes up.

For Cylinder Division Plant Locations – See Page II.



Cylinder End-of-Stroke Proximity Sensors

**For Parker Series 2A, 2H, 3L,
3H & HMI Cylinders**



“EPS” Style Inductive Sensors
For General Industrial AC and DC Applications

“CLS” Style Magnetic Sensors
Including Extreme Temperature Applications

All Sensors Are:
Non-Contacting
Water Resistant
Weld-Field Immune
Shock and Vibration Resistant
Flange-Mounted to Cylinder End Caps

For additional information – call your local Parker Cylinder Distributor.

Parker EPS-7 AND EPS-5 (Automotive Spec) Solid State Proximity Switches



The Parker EPS is an inductive type proximity switch that will operate in either pneumatic or hydraulic cylinders, providing full extend or retract indication. The completely solid state electronics are epoxy potted in housings that meet enclosure types listed below. The non-contact probe senses the presence of the ferrous cushion spear or sleeve. There are no cams, plungers, mechanical switches or dynamic seals to wear out or go out of adjustment. By mounting the EPS proximity switches in the cylinder head or cap, costly design and set-up time associated with external limit switches is eliminated. Also, since the probe is sealed within the cylinder body the switches cannot be tampered with. The EPS meets UL requirements and is designed to operate within one inch of resistance welder tips carrying 20,000 Amperes.

Specify EPS-7 for General Purpose, heavy duty Applications and EPS-5 for Automotive Plant Applications.

The standard Parker EPS-5 or EPS-7 is a 2-wire AC/DC switch which will operate from 50 to 220 VAC/DC. The low

1.7 mA off-state leakage current allows the EPS to operate relay coil loads or act as a direct input into a PC. The standard short circuit protection protects the switch from shorts in the load or line. Upon sensing a short condition (5 Amp or greater current) the switch assumes a non-conducting mode. The fault condition must be removed and the power removed to reset, preventing automatic restarts.

A ready LED indicator illuminates to indicate that the power is on and the switch is not conducting. The Target LED will illuminate when the switch is activated. Both LED's will flash to indicate a short circuit condition (EPS-5 & 6). (One LED will flash to indicate a short circuit condition on EPS-7.)

For more information or applications requiring intrinsically-safe **switches** contact the Parker Hannifin Cylinder Division.

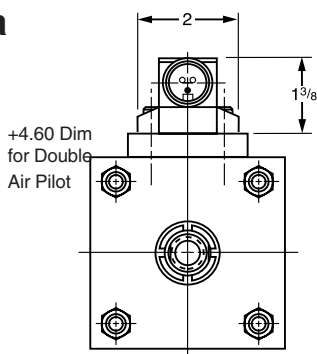
Features

- Completely Solid State – no moving parts to wear out
- Pneumatic or Hydraulic Use – mounts directly to 2A, 2AN, 3AN, 3L and 2H Series cylinders
- Rotates in 300° – simplifies set-up (EPS-5 only)
- Low Leakage Current – directly compatible with programmable controllers
- Meets enclosure types 3, 4, and 13 requirements (EPS-5 only)
- Meets enclosure types IEC IP67 (EPS-7 only)
- Specify EPS-5 for Automotive Plant Applications
- UL Approved
- Standard Short Circuit Protection – operates safely near high magnetic fields such as those in welding equipment and large electric motors
- Shock and Vibration Resistant – withstands up to 30g's vibration to 2000 Hz

For Cylinder Division Plant Locations – See Page II.

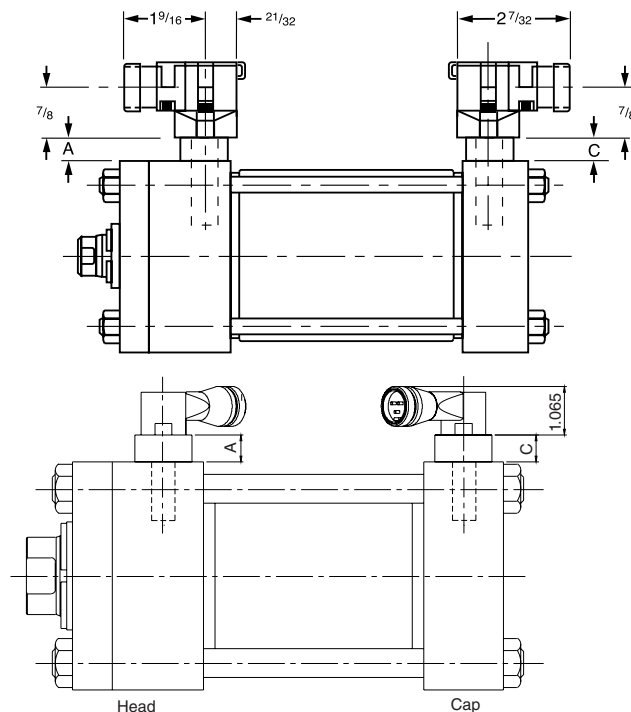
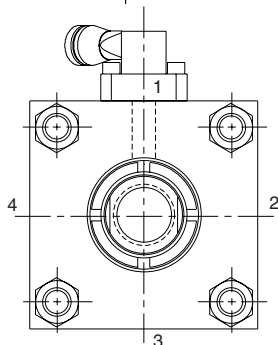
Dimensional Data

EPS-5 Automotive Applications



EPS-7 Heavy Duty Industrial Applications

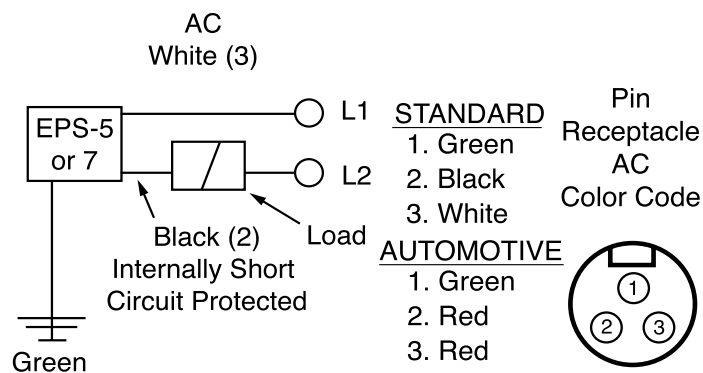
For top view, see EPS-6, opposite page.



For basic cylinder dimensions, consult section A, for pneumatic cylinders and section B, for hydraulic cylinders.

Series	A max.	C max.
2H/3H 1.5"-8" bores	.86"	1.75"
3L	1.55"	1.05"
2A	1.55"	1.30"
For exact dimensions, see Bulletin 0840-G-E1.		

Wiring Diagrams and Information



Connectors

The male quick disconnect on the Parker EPS-5 or 7 is a Brad Harrison 40909 connector.

Female connects must be purchased with one of the following cable lengths.

Cable Length	Parker Part No.	
	Automotive	Standard
3'	085356003	0853550003
6'	085356006	0853550006
9'	085356009	—
12'	085356012	0853550012

Series and Parallel Wiring

When Parker EPS-5, 6 or 7 proximity switches are used as inputs to programmable controllers the preferred practice is to connect each switch to a separate input channel of the PC. Series or parallel operations may then be accomplished by the internal PC programming.

Parker EPS-5, 6 or 7 switches may be hard wired for series operation, but the voltage drop through the switches (see specifications) must not drop the available voltage level below what is needed to actuate the load.

Parker EPS-5, 6 or 7 switches may also be hard wired for parallel operation. However, the leakage current of each switch will pass through the load. The total of all leakage currents must not exceed the current required to actuate the load. In most cases, the use of two or more EPS-5, 6 or 7 switches in parallel will require the use of a bypass (shunt) resistor.

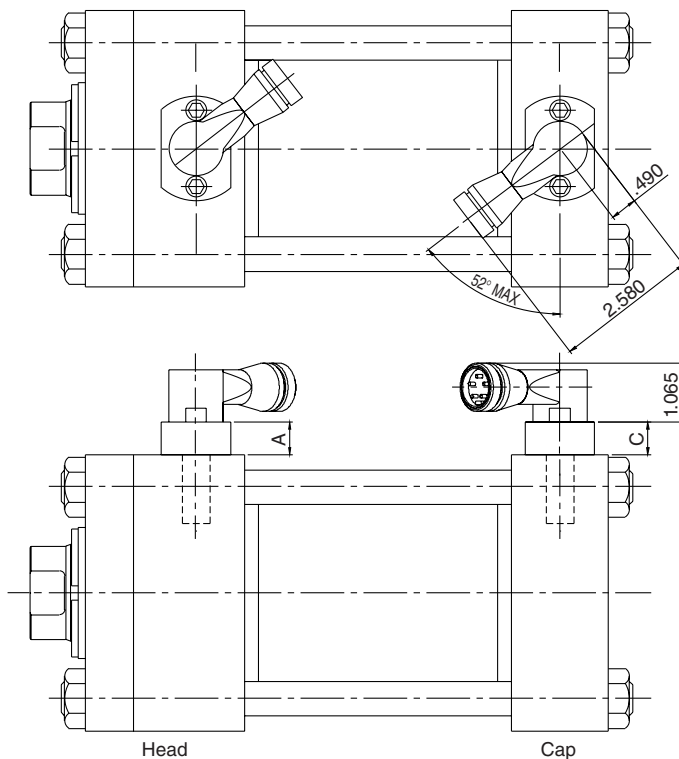
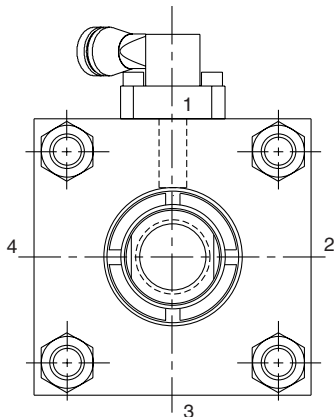
For additional information – call your local Parker Cylinder Distributor.

EPS-6 Low Voltage DC Proximity Switch

Dimensional Data

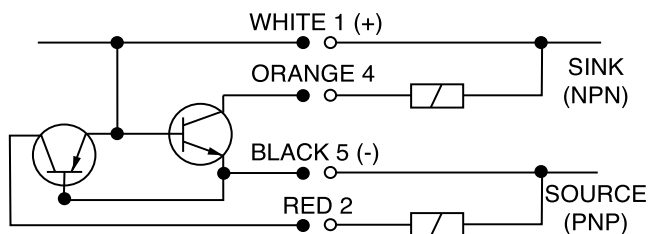
Features

- Low Leakage
- Short Circuit Protection
- PNP (Sourcing) and NPN (Sinking)
- Enclosure Rated NEMA 4, 6, 13



Series	A max.	C max.
2H/3H 1.5"-8" bores	.86"	1.75"
3L	1.55"	1.05"
2A	1.55"	1.30"
For exact dimensions, see Bulletin 0840-G-E1.		

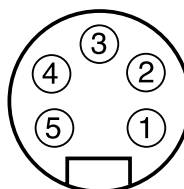
Wiring Diagrams and Information



Connectors

The male quick disconnect on the Parker EPS-6 is a Brad Harrison 41310 connector.

Plug Pin and Cable Identification



- 1) +10 to 30 VDC (White)
- 2) Source (Red)
- 3) Grounded not connected nor required
- 4) Sink (Orange)
- 5) Common (Black)

LED Function	"Ready"	"Target"
Power Applied (No Target)	ON	OFF
Target Present	OFF	ON
Short Circuit Condition	FLASH	FLASH

Cable Length	Parker No.
3	085917 0003
6	085917 0006
12	085917 0012

For Cylinder Division Plant Locations – See Page II.

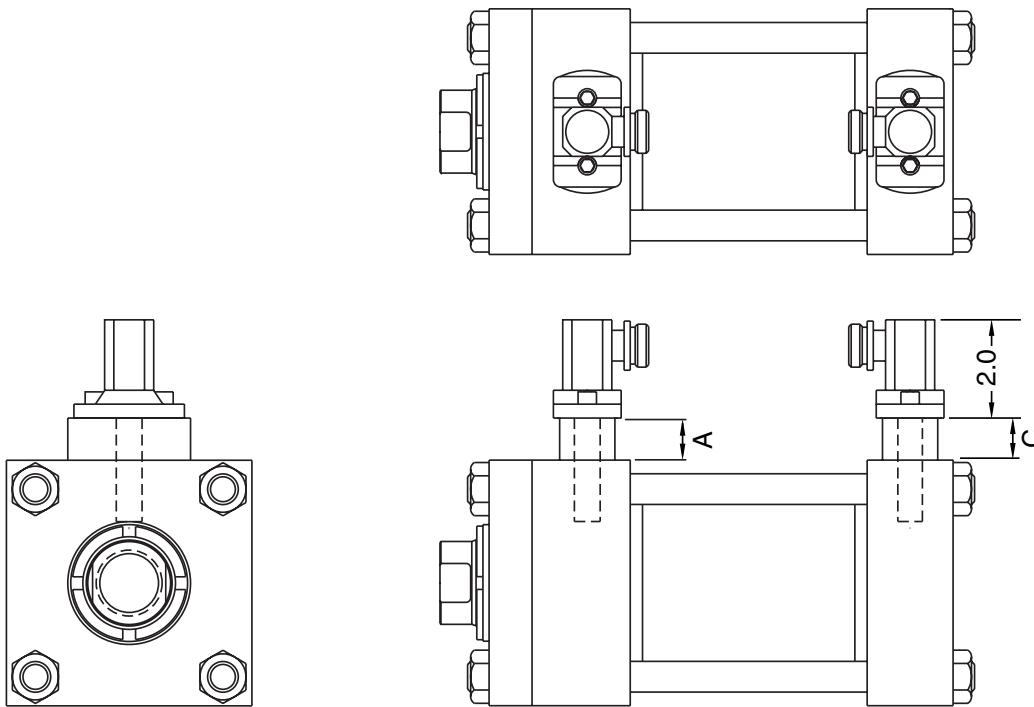


C

Cylinder End-of-Stroke Proximity Sensors

Dimensional Data

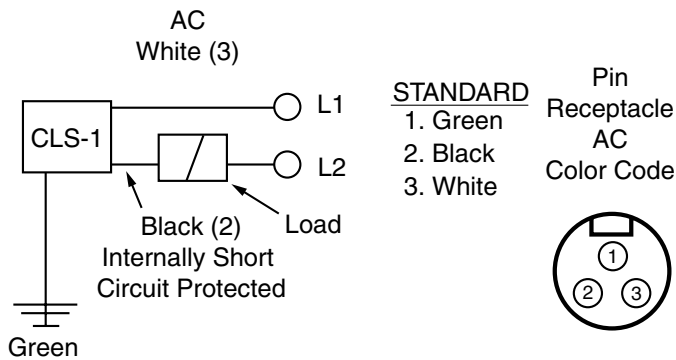
CLS 1 & 4 Sensors



Series	A max.	C max.
2H/3H 1.5"-8" bores	.86"	1.75"
3L	1.55"	1.05"
2A	1.55"	1.30"

For exact dimensions, see Bulletin 0840-G-E1

Wiring Diagrams and Information



Connectors

The male quick disconnect on the Parker CLS-1 is a Brad Harrison 40909 connector.

Female connects must be purchased with one of the following cable lengths.

Cable Length	Parker Part No.
	Standard
3'	0853550003
6'	0853550006
9'	—
12'	0853550012

The connection for the CLS-4 are 144" PTFE insulated flying leads with 1/2" conduit hub. 3-wire: Common (black), Normally open (blue), and Normally closed (red).

For additional information – call your local Parker Cylinder Distributor.

EPS Dimensions/Codes
2H, 7" & 8" 3H, 2A, 2AN, 3L & HMI Cylinders

Series 2A, 2AN, 3L

Table 1 CODES FOR 2A, 2AN, & 3L SERIES CYLINDERS WITH EPS 5, 6 & 7 SENSORS

BORE	SERIES	ROD DIA	2A ROD #	3L ROD #	STANDARD PROBE LOCATION "GG"	SPACER HEIGHT "C"	SWITCH CODE	SPACER CODE	EPS5 BOLT CODE (1)	EPS 6,7 BOLT CODE (1)	OPTIONAL STROKE TO GO
1.5	2A/3L	0.63	1	1	0.59	0.688	1	FK	F99	299	0.44
		1	2	2	0.59	0.876	1	1K	199	399	0.44
		CAP	-	-	0.63	0.468	1	BK	GD9	1D9	0.17
2	2A/3L	0.63	1	1	0.59	0.579	1	D2	0E9	2E9	0.44
		1.375	2	2	0.59	0.829	1	H2	199	399	0.44
		1	3	3	0.59	0.688	1	F2	F99	299	0.44
2.5	2A/3L	CAP	-	-	0.63	1.048	2	EG2	299	499	0.17
		0.63	1	7	0.63	0.296	1	E	F9	29	0.48
		1.75	2	3	0.63	0.796	1	EH	29	49	0.48
3.25	2A/3L	1	3	2	0.63	0.421	1	G	19	39	0.48
		1.38	4	1	0.63	0.608	1	DF	29	39	0.48
		CAP	-	-	0.63	0.780	2	FG	29	49	0.17
4	2A/3L	1	1	1	0.88	0.858	2	FH	39	49	0.73
		2	2	4	0.56	0.608	1	DF	29	39	0.42
		1.375	3	2	0.88	0.249	1	D	FE	2E	0.73
5	2A/3L	1.75	5	3	0.88	0.421	1	G	19	39	0.73
		CAP	-	-	0.75	0.546	2	J	29	39	0.34
		1	1	7	0.88	0.499	2	H	19	39	0.73
6	2A/3L	2.5	2	4	0.56	0.546	1	J	29	39	0.42
		1.375	3	2	0.88	0.671	2	DG	29	49	0.73
		1.75	4	1	0.88	0.858	2	FH	39	49	0.73
7	2A	2	5	3	0.56	0.249	0	D	FE	2E	0.42
		CAP	-	-	0.75	0.170	2	C	0D	1D	0.34
		1	1	7	0.88	0.796	3	EH	39	49	0.72
8	2A/3L	3.5	2	2	0.56	0.546	1	J	29	39	0.42
		1.38	3	8	0.88	0.170	2	C	FD	2D	0.72
		1.75	4	1	0.88	0.358	2	F	F9	29	0.72
9	2A/3L	2	5	3	0.56	0.546	2	J	29	39	0.42
		2.5	6	4	0.56	0.858	2	FH	39	49	0.42
		3	7	5	0.56	0.296	1	E	F9	29	0.42
10	2A	CAP	-	-	0.75	0.499	3	H	19	39	0.34
		1.38	1	7	1.13	0.499	3	H	29	39	0.98
		4	2	2	0.81	0.296	1	E	29	29	0.66
11	2A/3L	1.75	3	1	1.13	0.671	3	DG	29	49	0.98
		2	4	3	0.81	0.858	3	FH	39	49	0.66
		2.5	5	4	0.81	0.358	2	F	29	29	0.66
12	2A/3L	3	6	5	0.81	0.608	2	DF	29	39	0.66
		3.5	7	6	0.81	0.858	2	FH	39	49	0.66
		CAP	-	-	0.75	0.109	3	A	1D	1D	0.34
13	2A	1.38	1	7	1.13	0	3	NONE	G	1	0.98
		1.75	3	8	1.13	0.170	3	C	FD	2D	0.98
		2	4	1	0.81	0.358	3	F	F9	29	0.66
14	2A/3L	CAP	-	-	0.94	1.296	4	EHH	5B	6B	0.53
		1.38	1	7	1.13	1.171	4	DGH	4B	6B	0.98
		5.5	2	2	0.69	0.921	2	GH	5B	5B	0.54
15	2A/3L	1.75	3	8	1.13	1.358	4	FHH	5B	6B	0.98
		2	4	1	0.81	1.546	4	HHJ	6C	7C	0.66
		2.5	5	3	0.81	0.170	3	C	FD	2D	0.66
16	2A/3L	3	6	4	0.81	0.421	3	G	19	39	0.66
		3.5	7	5	0.81	0.671	3	DG	29	49	0.66
		4	8	6	0.81	0.110	2	A	GD	1D	0.66
17	2A	5	9	0	0.81	0.671	2	DG	29	49	0.66
		CAP	-	-	0.94	0.796	4	EH	39	49	0.63
		1.75	1	-	1.38	0.296	4	E	F9	29	1.22
18	2A	2	3	-	1.06	0.499	4	H	19	39	0.91
		2.5	4	-	1.06	0.499	4	EH	39	49	0.91
		3	5	-	1.06	1.046	4	DEH	4B	5B	0.91
19	2A	3.5	6	-	1.06	1.296	4	EHH	5B	6B	0.91
		4	7	-	1.06	0	3	NONE	G	1	0.91
		5	9	-	0.94	0.421	3	G	19	39	0.79
20	2A	5.5	0	-	0.94	0.671	3	DG	29	49	0.79
		CAP	-	-	0.94	0	4	NONE	G	1	0.53

(1) The first digit of the Bolt Code refers to screws that mount the switch to the cylinder. The second and third digits refer to screws that mount the spacers to the cylinder.

For Cylinder Division Plant Locations – See Page II.



C

EPS Dimensions/Codes
2H, 7" & 8" 3H, 2A, 2AN, 3L & HMI Cylinders

Series 2H, 7" & 8", 3H

Table 2 CODES FOR 2H, AND 7-8" 3H SERIES CYLINDERS WITH EPS 5, 6 & 7 SENSORS										
BORE	SERIES	ROD DIA	ROD NUMBER	STANDARD PROBE LOCATION "GG"	SPACER HEIGHT "C"	SWITCH CODE	SPACER CODE	EPS5 BOLT CODE (1)	EPS 6,7 BOLT CODE (1)	OPTIONAL STROKE TO GO
1.5	2H	0.63	1	0.880	0.439	1	A2	GD9	1D9	.422
		1	2	0.880	0.626	1	E2	F99	299	.422
		CAP	-	0.937	1.048	2	EG2	299(2)	499(2)	.381
2	2H	1	1	0.880	0.439	1	A2	GD9	1D9	.442
		1.375	2	0.880	0.579	1	D2	0D9	2E9	.442
		CAP	-	0.875	0.938	2	DF2	299	399	.319
2.5	2H	1	1	0.880	0.170	1	C	FD	2D	.475
		1.75	2	0.880	0.546	1	J	29	39	.475
		1.375	3	0.880	0.358	1	F	F9	39	.475
		CAP	-	0.875	0.671	2	DG	29	49	.319
3.25	2H	1.375	1	1.125	0.671	2	DG	29	49	.725
		2	2	0.812	0.249	1	D	FD	2	.417
		1.75	3	1.125	0.858	2	FH	39	49	.725
		CAP	-	1.062	0.296	2	E	F9	29	.506
4	2H	1.75	1	1.125	0.608	2	DF	29	39	.725
		2.5	2	0.812	0.296	1	E	F9	29	.417
		2	3	0.812	0	1	NONE	G	1	.417
		CAP	-	1.000	0.170	2	C	FD	2D	.444
5	2H	2	1	0.812	0.858	3	FH	39	49	.417
		3.5	2	0.812	0.858	2	FH	39	49	.417
		2.5	3	0.812	0.358	2	F	F9	29	.417
		3	4	0.812	0.608	2	DF	29	39	.417
		CAP	-	0.875	0.358	3	F	F9	29	.319
6	2H	2.5	1	1.062	0.671	3	DG	29	49	.663
		4	2	1.062	0.608	2	DF	29	39	.663
		3	3	1.062	0.109	2	A	GD	1	.663
		3.5	4	0.812	0.358	2	F	F9	29	.417
		CAP	-	1.250	1.749	4	DHHH	6A	8D	.683
7	2H/3H	3	1	1.562	0.421	3	G	19	39	1.162
		5	2	1.437	0.671	2	DG	29	49	1.037
		3.5	3	1.562	0.671	3	DG	29	49	1.162
		4	4	1.062	0.109	2	A	GD	1D	.663
		4.5	5	1.437	0.358	2	F	F9	29	1.037
		CAP	-	1.687	1.421	4	GHH	51	7B	1.117
8	2H/3H	3.5	1	1.812	0.170	3	C	FD	2D	1.412
		5.5	2	1.687	0.421	2	G	19	39	1.287
		4	3	1.062	0.421	3	G	19	39	.663
		4.5	4	1.437	0.671	3	DG	29	49	1.037
		5	5	1.437	0.170	2	C	FD	2D	1.037
		CAP	-	1.687	0.921	4	GH	31	5B	1.183

(1) The first digit of the Bolt Code refers to screws that mount the switch to the cylinder. The second and third digits refer to screws that mount the spacers to the cylinder.

For additional information – call your local Parker Cylinder Distributor.

EPS Dimensions/Codes
2H, 7" & 8" 3H, 2A, 2AN, 3L & HMI Cylinders

Series HMI

BORE	SERIES	ROD DIA	ROD #	STANDARD PROBE LOCATION "GG"	SPACER HEIGHT "C"	SWITCH CODE	SPACER CODE	EPS5 BOLT CODE (1)	EPS 6,7 BOLT CODE (1)	OPTIONAL STROKE TO GO
40*	HMI	18	1	0.875	0.688	1	F3	HPP	HPP	.532
		28	2	0.875	0.688	1	F3	HPP	HPP	.532
		CAP	-	0.875	1.048	2	EG3	KPPZ	KPP	.656
50*	HMI	22	1	0.875	1.188	2	FH3	KPP	KPP	.532
		36	2	0.875	0.626	1	E3	HPP	HPP	.532
		28	3	0.875	0.500	1	C3	HPP	HNP	.532
		CAP	-	0.875	0.829	2	H3	JPP	JPP	.656
63	HMI	28	1	0.875	0.249	1	D	HN	HN	.500
		45	2	0.875	0.546	1	J	JS	JP	.500
		36	3	0.875	0.358	1	F	JR	HP	.500
		CAP	-	0.875	0.671	2	DG	KT	KP	.656
80	HMI	36	1	1.125	0.671	2	DG	KT	KP	.500
		56	2	0.812	0.296	1	E	HN	HN	.500
		45	3	1.125	0.858	2	FH	KJ	KP	.500
		CAP	-	1.000	0.296	2	E	HR	HP	.656
100	HMI	45	1	1.125	0.608	2	DF	JT	JP	.500
		70	2	0.812	0.358	1	F	HR	HP	.500
		56	3	0.812	0.858	2	FH	KU	KP	.500
		CAP	-	1.000	0.170	2	C	HV	HN	.656
125	HMI	56	1	0.812	0.170	2	C	HV	HN	.500
		90	2	0.812	0.109	1	A	LV	LN	.500
		70	3	0.812	0.499	2	H	JS	JP	.500
		CAP	-	1.000	0.421	3	G	JS	JP	.656
160	HMI	70	1	1.062	0.499	3	H	JS	JP	.500
		110	2	1.062	0.499	2	H	JS	JP	.500
		90	3	1.062	0.109	2	A	LV	LN	.500
		CAP	-	1.312	0.546	4	J	XW	MQ	.670
200	HMI	90	1	1.562	0.170	3	C	HV	HN	.670
		140	2	1.687	0.421	2	G	JS	JP	.670
		110	3	1.687	0.546	3	J	JS	JP	.670
		CAP	-	1.937	0.671	4	DG	KT	KP	.670

(1) The first digit of the Bolt Code refers to screws that mount the switch to the cylinder. The second and third digits refer to screws that mount the spacers to the cylinder.

*TC and TD mountings: The tie rod nuts will be exposed and not counterbored into the cap.

C

For Cylinder Division Plant Locations – See Page II.



EPS Dimensions/Codes
2H, 7" & 8" 3H, 2A, 2AN, 3L & HMI Cylinders

Mounting Bolts

Table 4 – Mounting Bolts

Two mounting bolts are required per switch.

Code #	Parker Part #	Bolt Length Inches	Bolt Type
0	010634-0048	0.75	1/4-20 SHCS
1	010634-0100	1.00	1/4-20 SHCS
2	010634-0116	1.25	1/4-20 SHCS
3	010634-0132	1.50	1/4-20 SHCS
4	010634-0148	1.75	1/4-20 SHCS
5	010634-0200	2.00	1/4-20 SHCS
6	010634-0216	2.25	1/4-20 SHCS
7	010634-0232	2.50	1/4-20 SHCS
8	010634-0248	2.75	1/4-20 SHCS
9	010628-0024	0.38	#8-32 SHCS
A	010628-0032	0.50	#8-32 SHCS
B	010628-0100	1.00	#8-32 SHCS
C	010628-0132	1.50	#8-32 SHCS
D	010453-0024	0.38	#8-32 FHCS
E	010453-0032	0.50	#8-32 FHCS
F	010634-0056	0.88	1/4-20 SHCS
G	010634-0040	0.62	1/4-20 SHCS
Mounting Bolts for HMI		Bolt Length mm	
H	147421-0030	30	M6X1.0 SHCS
J	147421-0040	40	M6X1.0 SHCS
K	147421-0045	45	M6X1.0 SHCS
L	147421-0025	25	M6X1.0 SHCS
M	147421-0065	65	M6X1.0 SHCS
N	148722-0210	10	M6X1.0 SHCS
P	148764-0010	10	M6X1.0 SHCS (LOW HEAD)
Q	147419-0035	35	M4X0.7 SHCS
R	148722-0212	12	M4X0.7 FHSC
S	148722-0216	16	M4X0.7 FHSC
T	148722-0220	20	M4X0.7 FHSC
U	-	-	-
V	148722-0208	8	M4X0.7 FHSC
W	-	-	-
X	147421-0065	65	M6X1.0 SHCS
Y	-	-	-
Z	0108800016	1/4" HI COLLAR LOCK WASHER, 4 REQ'D	

FHSC=Flat Head Socket Screw

For additional information – call your local Parker Cylinder Distributor.

Table 5 – Spacer Blocks

Letter Code	Parker Part #	Spacer Thickness (inches)	Letter Code	Parker Part #	Spacer Thickness (inches)
A	085469-0110	.109	EH	085469-0797	.796
B	085467-0000	.138	FH	085469-0859	.858
C	085469-0171	.170	GH	085469-0922	.921
D	085469-0250	.249	BGG	085469-0983	.982
E	085469-0297	.296	DEH	085469-1047	1.046
F	085468-0359	.358	DGH	085469-1172	1.171
G	085469-0422	.421	EHH	085469-1297	1.296
H	085469-0500	.499	FHH	085469-1359	1.358
J	085469-0547	.546	GHH	085469-1422	1.421
K	085466-0000	.330	HHJ	085469-1547	1.546
DF	085469-0609	.608	DHHH	085469-1750	1.749
DG	085469-0672	.671	1	085468-0547	.546
EG	085469-0719	.718	2	085482-0000	.330
FG	085469-0781	.780	3*	087583-0000	0.330

One O-Ring per spacer, Size# 2 - 15, Cylinder Division Part Number 010024-0003 (Fluorocarbon)

* Used on HMI only

Table 6 - Available Mounting Positions for EPS-5, 6, 7

EPS 5,6,7		Sensor Location for Series 2A,2AN,3L,2H,7&8"3H, HMI									
MOUNTING STYLES		Bore Size (in inches)									
Bores sizes (inches):		1.5	2	2.5	3.25	4	5	6	7	8	10
HMI bores sizes (mm):		40	50	63	80	100	125	160		200	
T,TB,TC,TD,BB,DD,BC	HEAD	1,2,3,4	1,2,3,4	1,2,3,4	1,2,3,4	1,2,3,4	1,2,3,4	1,2,3,4	1,2,3,4	1,2,3,4	1,2,3,4
	CAP	1,2,3,4	1,2,3,4	1,2,3,4	1,2,3,4	1,2,3,4	1,2,3,4	1,2,3,4	1,2,3,4	1,2,3,4	1,2,3,4
J,D,JJ (see note 3)	HEAD	1,3	1,3	1,3	1,3	1,3	1,3	1,3	1,3	1,3	1,3
	CAP	1,2,3,4	1,2,3,4	1,2,3,4	1,2,3,4	1,2,3,4	1,2,3,4	1,2,3,4	1,2,3,4	1,2,3,4	1,2,3,4
H,DB,HH	HEAD	1,2,3,4	1,2,3,4	1,2,3,4	1,2,3,4	1,2,3,4	1,2,3,4	1,2,3,4	1,2,3,4	1,2,3,4	1,2,3,4
	CAP	1,3	1,3	1,3	1,3	1,3	1,3	1,3	1,3	1,3	1,3
C (see note 2)	HEAD	1	1	1	1	1	1	1	1,2,4	1,2,4	1,2,4
	CAP	1	1	1	1	1	1	1	1,2,4	1,2,4	1,2,4
E	HEAD	1,3	1,3	1,3	1,3	1,3	1,3	1,3	1,3	1,3	1,3
	CAP	1,3	1,3	1,3	1,3	1,3	1,3	1,3	1,3	1,3	1,3
F,G,CB	HEAD	1	1	1,2,4	1,2,4	1,2,4	1,2,4	1,2,4	1,2,4	1,2,4	1,2,4
	CAP	1	1	1,2,4	1,2,4	1,2,4	1,2,4	1,2,4	1,2,4	1,2,4	1,2,4
JB	HEAD	NA	NA	NA	1,2,3,4	1,2,3,4	1,2,3,4	1,2,3,4	1,2,3,4	1,2,3,4	1,2,3,4
	CAP	1,2,3,4	1,2,3,4	1,2,3,4	1,2,3,4	1,2,3,4	1,2,3,4	1,2,3,4	1,2,3,4	1,2,3,4	1,2,3,4
HB	HEAD	1,2,3,4	1,2,3,4	1,2,3,4	1,2,3,4	1,2,3,4	1,2,3,4	1,2,3,4	1,2,3,4	1,2,3,4	1,2,3,4
	CAP	NA	NA	NA	1,2,3,4	1,2,3,4	1,2,3,4	1,2,3,4	1,2,3,4	1,2,3,4	1,2,3,4

Note: The electrical connector orientation may be restricted in some cases. Consult the dimensions in the current catalog.

Note 2: On 6" cylinders and larger, and for 160mm and 200mm bores, switches mounted in position 2 or 4 will interfere with the installation and removal of mounting bolts.

Note 3: On 1.5 through 5" JJ cylinders, switches will extend beyond mounting surface of cylinder.

Note 4: Positions 1, 2, 3 and 4 are determined by viewing cylinder from piston rod end and going clockwise.

For Cylinder Division Plant Locations – See Page II.



Cylinder End-of-Stroke Proximity Sensors

Specifications

Specifications					
Style:	EPS-7	EPS-5	EPS 6	CLS 1	CLS 4
Code Designator:	H	R	D	F	B
Description:	Economical, General Purpose, 2 wire device, primarily for AC applications. Use EPS 5 only for automotive industry customers who specify them.	Economical, General Purpose, 3 wire, DC sensor, dual output: sinking and sourcing	Functional replacement for AB (Mechanical) Limit Switches in many applications, or where customer needs NC contacts, zero leakage, higher or lower load current than EPS-style	Functional replacement for AB (Mechanical) Limit Switches in many High Temperature applications, or where customer needs NC contacts, zero leakage, zero voltage drop, higher or lower load current than EPS-style.	
Supply Voltage:	20 to 250 VAC/DC	50 to 200 VAC/DC	10 to 30 VDC	10 to 200 VAC/DC	10 to 200 VAC/DC
Load Current, min:	3 mA	5 mA	3 mA	NA	NA
Load Current, max:	300 mA	500 mA	200 mA	4 AMPS @ 120 VAC 3 AMPS @ 24VDC	4 AMPS @ 120 VAC 3 AMPS @ 24 VDC
Leakage Current:	1.7 mA, max.	1.7 mA, max.	10 micro amps max	–	–
Voltage Drop:	7 V, max.	10 V, max.	2 VDC max.	1V	NA
Operating Temperature:	-14° to +158° F	-14° to +158°F	-14° to +158°F	-40°F to +160°F	-40°F to +400°F
Sensor Type:	Inductive proximity	Inductive proximity	Inductive proximity	non-contacting magnetically actuated	non-contacting magnetically actuated
Part Number:	148897****	146617****	148896****	148275****	149109****
Part Number Suffix****:	**** 4-digit suffix indicates probe length: 0125=1.25", 0206=2.06", 0288=2.875", 0456=4.562"				
Connection:	3 pin mini	3 pin mini	5 pin mini	3 pin mini	144" PTFE Coated Flying Leads with 1/2" conduit hub
Enclosure Rating:	IEC IP67	NEMA 3, 4, 13	IEC IP67	NEMA 1, 2, 3, 4, 4x, 5, 6, 6P, 11, 12, 12K, 13	NEMA 1, 2, 3, 4, 4x, 5
LED indication:	Yes	Yes	Yes	Yes	No
Short Circuit Protection:	Yes	Yes	Yes	No	No
Weld Field Immunity:	Yes	Yes	Yes	Yes	Yes
Output:	2 wire, Normally Open with leakage current	2 wire, Normally Open with leakage current	Dual Output: DC Sinking and DC Sourcing, user selectable via wiring	SPDT (Single Pole Double Throw), Normally Open/Normally Closed, Form C	SPDT (Single Pole Double Throw), Normally Open/Normally Closed, Form C
Approvals/Marks:	CE, UL, CSA	UL	CE, UL, CSA	UL, CSA	UL, CSA
Make/Break Location:	0.125" from end of stroke, typical. Tolerance is +/- .125"				
Wiring Instructions:	Pin 1: AC Ground (Green) Pin 2: Output (Black) Pin 3: AC Line (White)	Pin 1: AC Ground (Green) Pin 2: Output (Black) Pin 3: AC Line (White)	Pin 1) +10 to 30 VDC (White) Pin 2) Sourcing Output (Red) Pin 3) Grounded (not connected or required) Pin 4) Sinking Output (Orange) Pin 5) DC Common (Black)	Pin 1: Common (Green) Pin 2: Normally Closed (Black) Pin 3: Normally Open (White)	Common: (Black) Normally Open: (Blue) Normally Closed: (Red)
Cable: 6'	085355-0006	085355-0006	085917-0006	085355-0006	–
Cable: 12'	085355-0012	085355-0012	085917-0012	085355-0012	–
Cable: 6', Right Angle	087547-0006	087547-0006	–	087547-0006	–

For additional information – call your local Parker Cylinder Distributor.

Cylinder End-of-Stroke Proximity Sensors

Parker EPS proximity switches may be ordered on Series 2A, 2AN, 3L, 3H and HMI cylinders as follows:

- 1) Complete the basic cylinder model number.
- 2) Place an "S" in the model number to denote switches and/or special features.

3) Mounting styles E, D, DB, JJ, JB, or HB should be used with caution because of possible mounting interferences. Consult bulletin 0840-G-E1 for additional information.

4) Special modifications to cylinders other than switches must have a written description.

Basic Cylinder Model Numbers

	Bore Size	Cushion Head End	Double Rod	Mtg. Style	Mtg. Mod.	Comb. Mtg. Style	Series	Piston	Ports	Common Modifications	Special Modifications	Piston Rod No.	Rod End Thread	Alternate Std. Rod End Thd. Length	Thread Type	Cushion Cap End	Stroke
E X A M P L E	6	C	-	BB	-	-	2H	L	T	V	S	1	Style No.	2	A	C	x24,000
	Specify	Specify only if Cushion Head End is req'd.	Use only if Double Rod Cyl. is req'd.	Specify mtg. style	Specify P - for Thrust Key Mtg. M - for Manifold Ports	Specify any practical mtg. style available	Specify 2A, Series 2AN, 3L, or 2H or 7" & 8" 3H	For ring type piston no letter req'd. Use - L for Lipseal Piston Use K for Hi-Load Piston	Specify Port Type req'd. U = NPTF T = S.A.E. R = BSP B = BSPT G = Metric P = S.A.E. Flange Port	If req'd. specify V=Viton Seals F=Nut Retained Piston E=E.P.R. Seals W=Water service J=High Water Content Fluid	Specify only if special modifications including proximity switches are req'd. Do not use symbol "S" for rod end modifications	Specify rod code no.	Specify Style 4 Small Male Style 8 Intermediate Male Style 9 Short Female Style 3 Special. Specify KK, A, LA or W dim req'd.	Specify only if 2 times Standard Catalog "A" dim. is req'd.	Specify A=UNF W=BSF M=Metric	Specify only if Cushion Cap End is req'd.	Specify in inches, show symbol "X" just ahead of stk. leng h.

How to Specify EPS Switches

5) Specify letter prefix "H" for EPS-7, "D" for EPS-6, and "F" for CLS-1, or "B" for CLS-4, then fill in the four blanks specifying port location, switch orientation and actuation point for both head and cap. If only one switch is used, place "XXXX" in the unused blanks.

Example = H13CGG-XXXX denotes a switch on the head end only, EPS-7

Example = BXXXX-42BGG denotes a switch on the cap end only, CLS-4

Head End

R	1	3	A	GG
Specify: "R" = EPS-5 "H" = EPS-7 "D" = EPS-6 "F" = CLS-1 "B" = CLS-4 "N" = Prep for switches only	Port Location See Figure 1.	Switch Location See Figure 1.	Switch Orientation See Figure 2 for EPS-7 and Eps-6 only.	Actuation Point GG = End of Stroke FF = Stroke to Go; See Bulletins 0840-TSD-1, 2 or 3 for stroke remaining.

Cap End

4	2	B	GG
Port Location See Figure 1.	Switch Location See Figure 1.	Switch Orientation* See Figure 2 for EPS-7 and Eps-6 only.	Actuation Point GG = End of Stroke FF = Stroke to Go; See Bulletins 0840-TSD-1, 2 or 3 for stroke remaining.

Note: All specified switch and port locations are as seen from rod end of cylinder.
*EPS-5 switches will be oriented so that the connectors face each other.

Figure 1

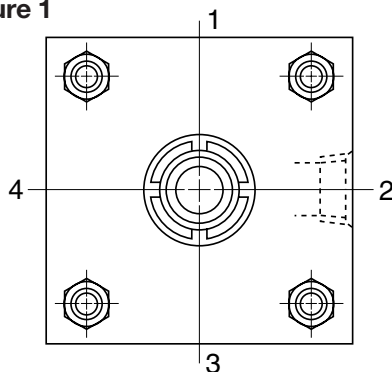
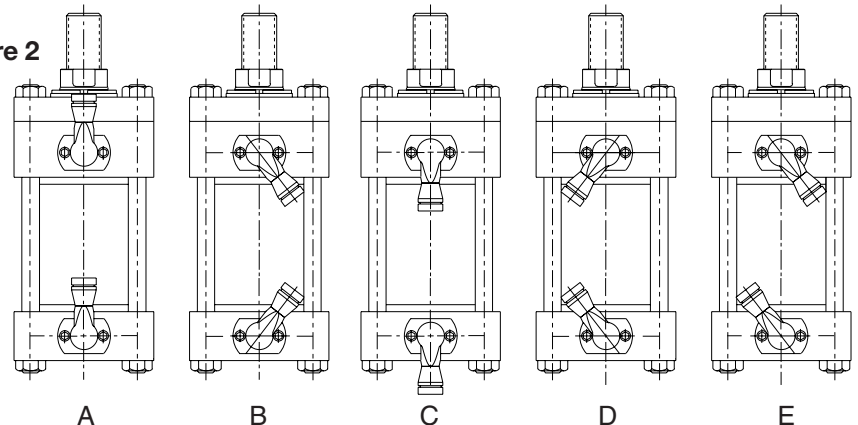


Figure 2



For Cylinder Division Plant Locations – See Page II.

Parker “Style 55” Piston Rod End

Safety Couplers and Weld Plates

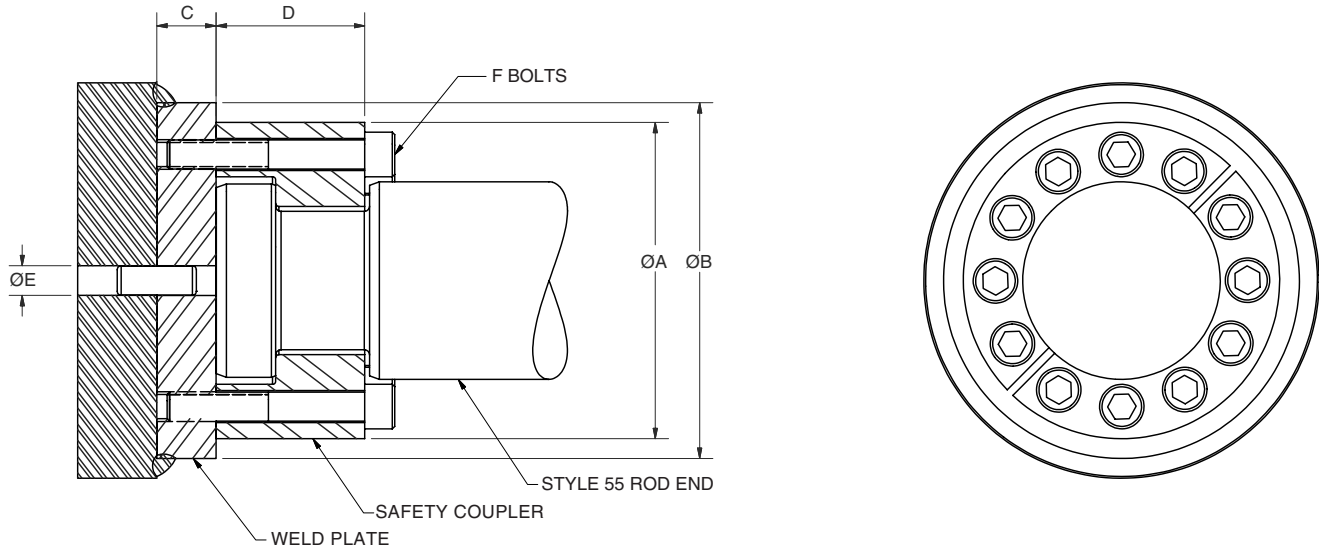


Table 1 — Part Numbers and Dimensions

ROD DIA.	A	B	C	D	E	F	BOLT SIZE	BOLT CIRCLE	SAFETY COUPLER PART NO.	WELD PLATE PART NO.
.625	1.50	2.00	.50	.56	.250	4	#10-24 x .94 LG	1.125	147234 0062	148174 0062
1.00	2.00	2.50	.50	.88	.250	6	.250-20 x 1.25 LG	1.500	147234 0100	148174 0100
1.375	2.50	3.00	.63	1.00	.250	6	.312-18 x 1.0" LG	2.000	147234 0138	148174 0138
1.75	3.00	4.00	.63	1.25	.250	8	.312-18 x 1.75 LG	2.375	147234 0175	148174 0175
2.00	3.50	4.00	.75	1.63	.375	12	.375-16 x 2.25 LG	2.687	147234 0200	148174 0200
2.50	4.00	4.50	.75	1.88	.375	12	.375-16 x 2.50 LG	3.187	147234 0250	148174 0250
3.00	5.00	5.50	1.00	2.38	.375	12	.500-13 x 3.25 LG	4.000	147234 0300	148174 0300
3.50	5.88	7.00	1.00	2.63	.375	12	.625-11 x 3.50 LG	4.687	147234 0350	148174 0350
4.00	6.38	7.00	1.00	2.63	.375	12	.625-11 x 3.50 LG	5.187	147234 0400	148174 0400
4.50	6.88	8.00	1.00	3.13	.375	12	.625-11 x 4.00 LG	5.687	147234 0450	148174 0450
5.00	7.38	8.00	1.00	3.13	.375	12	.625-11 x 4.00 LG	6.187	147234 0500	148174 0500
5.50	8.25	9.00	1.25	3.88	.375	12	.750-10 x 5.00 LG	6.875	147234 0550	148174 0550
7.00	10.38	11.00	1.75	4.00	.500	12	1.00-8 x 5.50 LG	8.750	147234 0700	148174 0700
8.00	11.38	12.00	2.00	4.00	.500	16	1.00-8 x 5.50 LG	9.750	147234 0800	148174 0800
8.50	12.38	13.00	2.00	4.00	.500	16	1.00-8 x 5.50 LG	10.750	147234 0850	148174 0850
9.00	13.12	14.00	2.25	4.00	.500	12	1.25-7 x 6.00 LG	—	147234 0900	148174 0900
10.00	14.12	15.00	2.50	4.50	.500	16	1.25-7 x 6.50 LG	12.125	147234 1000	148174 1000

Note: Screws are not included with safety coupler or weld plate.

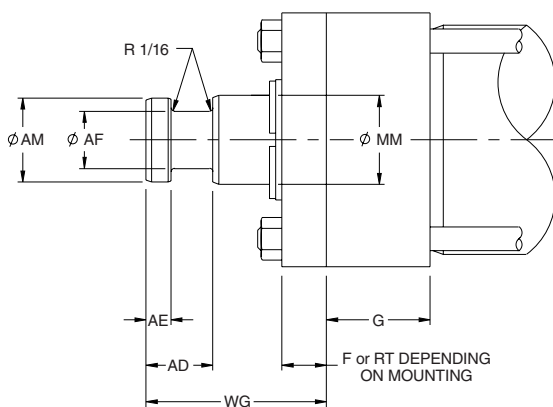
For additional information – call your local Parker Cylinder Distributor.

Parker “Style 55” Piston Rod End

Rod end flange coupling for Parker
Series 3L, 2H, 3H, VH and HD Hydraulic
and 2A and VP Pneumatic

- Simplifies alignment
- Reduces assembly time
- Allows full rated hydraulic pressure in push and pull directions
- Available in 5/8" through 10" piston rod diameters

Style 55 Rod End



Dimensions Style 55 Rod End

MM Rod Dia.	AD	AE	AF	AM	WG
5/8	5/8	1/4	3/8	.57	1 3/4
1	15/16	3/8	11/16	.95	2 3/8
1 3/8	1 1/16	3/8	7/8	1.32	2 3/4
1 3/4	1 5/16	1/2	1 1/8	1.70	3 1/8
2	1 11/16	5/8	1 3/8	1.95	3 3/4
2 1/2	1 15/16	3/4	1 3/4	2.45	4 1/2
3	2 7/16	7/8	2 1/4	2.95	4 7/8
3 1/2	2 11/16	1	2 1/2	3.45	5 5/8
4	2 11/16	1	3	3.95	5 3/4
4 1/2	3 3/16	1 1/2	3 1/2	4.45	6 1/2
5	3 3/16	1 1/2	3 7/8	4.95	6 5/8
5 1/2	3 15/16	1 7/8	4 3/8	5.45	7 1/2
7	4 1/16	2	5 3/4	6.95	8 7/16
8	4 1/16	2	6 1/2	7.95	8 11/16
9	4 5/8	2 3/8	7 1/4	8.95	8 3/4
10	4 5/8	2 3/8	8	9.95	9 3/4

See Cylinder Catalog for F, G and RT per bore and series.

Consult Factory for availability of mounting accessories and Hardware

How To Order

Complete Model Number and place a “55” in the Piston Rod End designator position

Example: 6.0JJ2HKT355X12.0

Piston Bumper Seal Option Now Available For Series 2A & 2AN

Impact dampening Piston Bumper Seals are now optional for Series 2A & 2AN cylinders 1.50" - 5.00" bores (except 1.50" & 2.00" bores with code 2 rods). The Piston Bumper Seal combines the features of low-friction, rounded lipseals and impact-dampening bumpers to provide reduced noise and smoother end-of-stroke deceleration. At pressure greater than 80 psi the compressible Buna Nitrile or Fluorocarbon Piston Bumper Seal has minimal effect on stroke loss. When specified, Piston Bumper Seals will be provided on both ends of the piston, eliminating the need to specify head end or cap end only.

Bumper Seals Reduce Noise

The special profile of the Piston Bumper Seal prevents the piston from loudly impacting the end cap at the end of stroke. Independent testing shows that the Piston Bumper Seal, when combined with cushions, will absorb the final piston inertia and reduce the stroke noise by as much as 20 dB. The Sound Level Comparison graph illustrates the noise-reducing effects of the Piston Bumper Seal when combined with cushions.

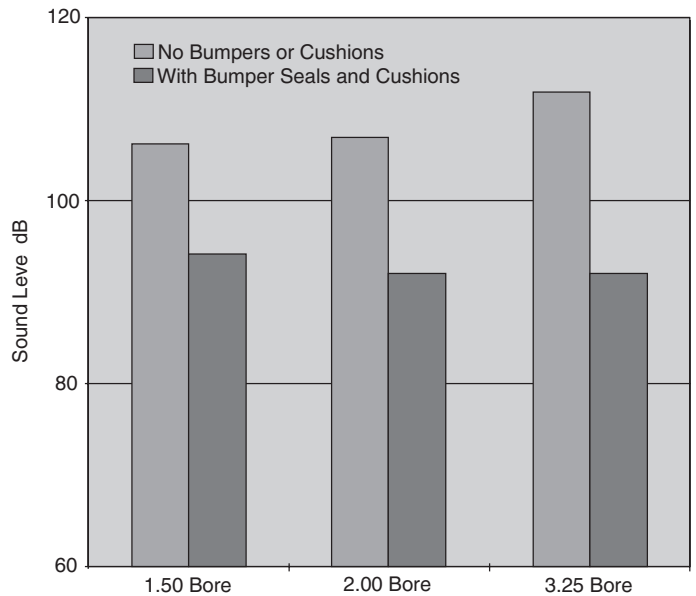
Impact noise was recorded at a distance of 3 feet from the front of the cylinder, inside a semi-anechoic chamber. Cylinders were operating at 95 psi.

Piston Bumper Seals Have Minimum Effect on Stroke Length

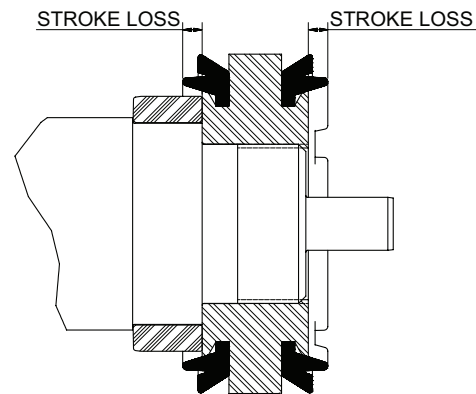
The chart below depicts typical amounts of overall stroke loss incurred at various system pressures. The amount of stroke loss may vary slightly due to design tolerances of seal size, variance in seal durometer and compression set associated with cylinder wear. To determine the stroke loss at either end of the cylinder, divide the values by two.

Note: There will be an increase in the cylinder W piston rod extension dimension equal to cap end stroke loss.

Sound Level Comparison



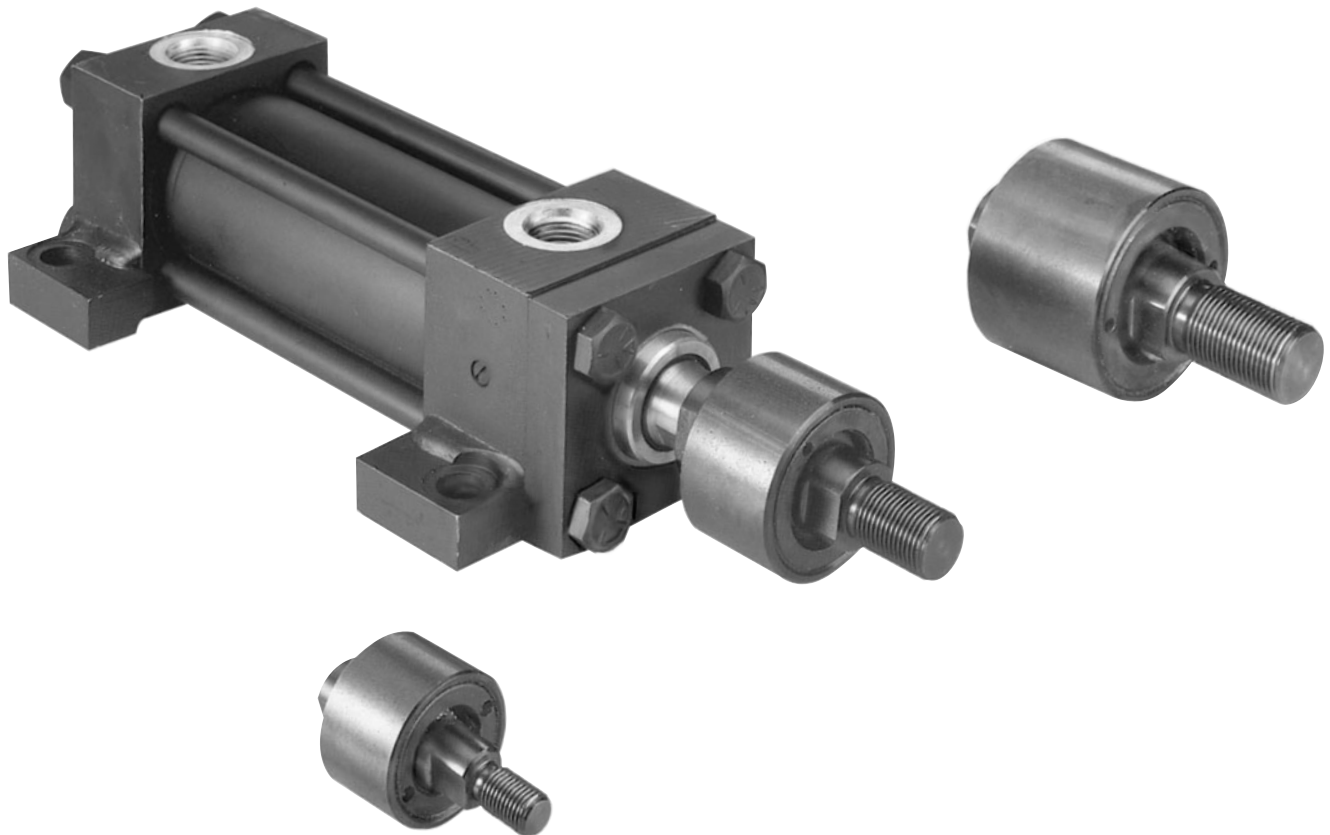
Bumper Seal Option



Pressure (psi)	Typical Overall Stroke Loss (inch) by Bore Ø					
	1.50	2.00	2.50	3.25	4.00	5.00
0	0.16	0.13	0.19	0.22	0.22	0.19
20	0.12	0.11	0.12	0.18	0.12	0.15
40	0.10	0.08	0.09	0.12	0.10	0.10
60	0.08	0.07	0.07	0.09	0.06	0.07
80	0.06	0.05	0.05	0.06	0.04	0.02
100	0.05	0.03	0.02	0.04	0.02	0.01

For additional information – call your local Parker Cylinder Distributor.

Linear Alignment Couplers



- Simplify Cylinder Installation
- Reduce Assembly Time
- Increase Cylinder Bearing and Seal Life
- Reliable Performance In “Push” *and* “Pull” Applications

For Cylinder Division Plant Locations – See Page II.

Linear Alignment Couplers are available in 12 standard thread sizes...

Cost Saving Features and Benefits Include...

- Maximum reliability for trouble-free operation, long life and lower operating costs
- Increased cylinder life by reducing wear on Piston and Rod bearings
- Simplifying Cylinder installation and reducing assembly costs
- Increase Rod Bearing and Rod Seal life for lower maintenance costs

Alignment Coupler

See Table 1 for Part Numbers and Dimensions

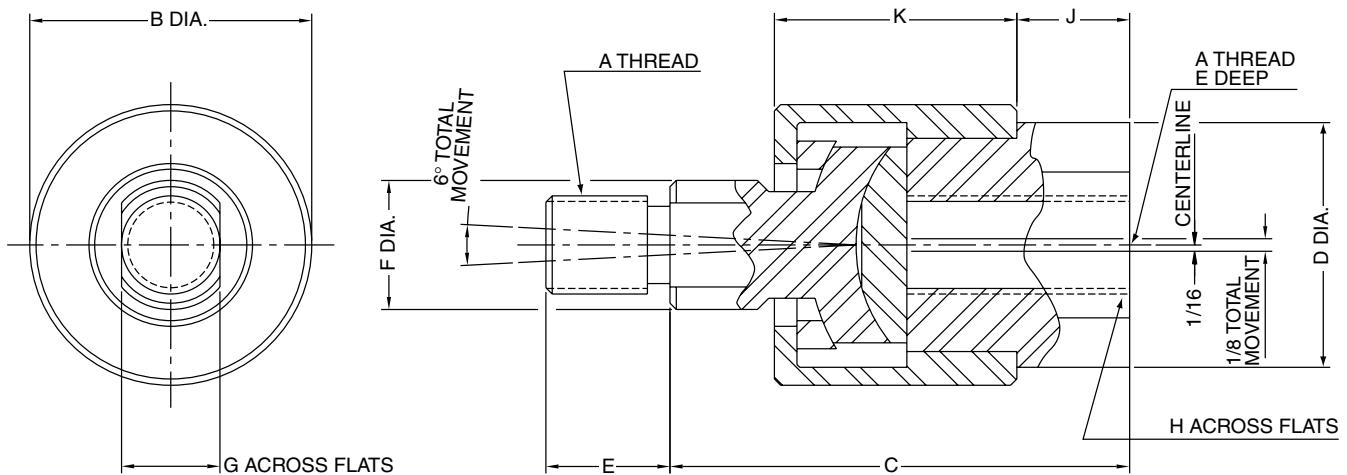


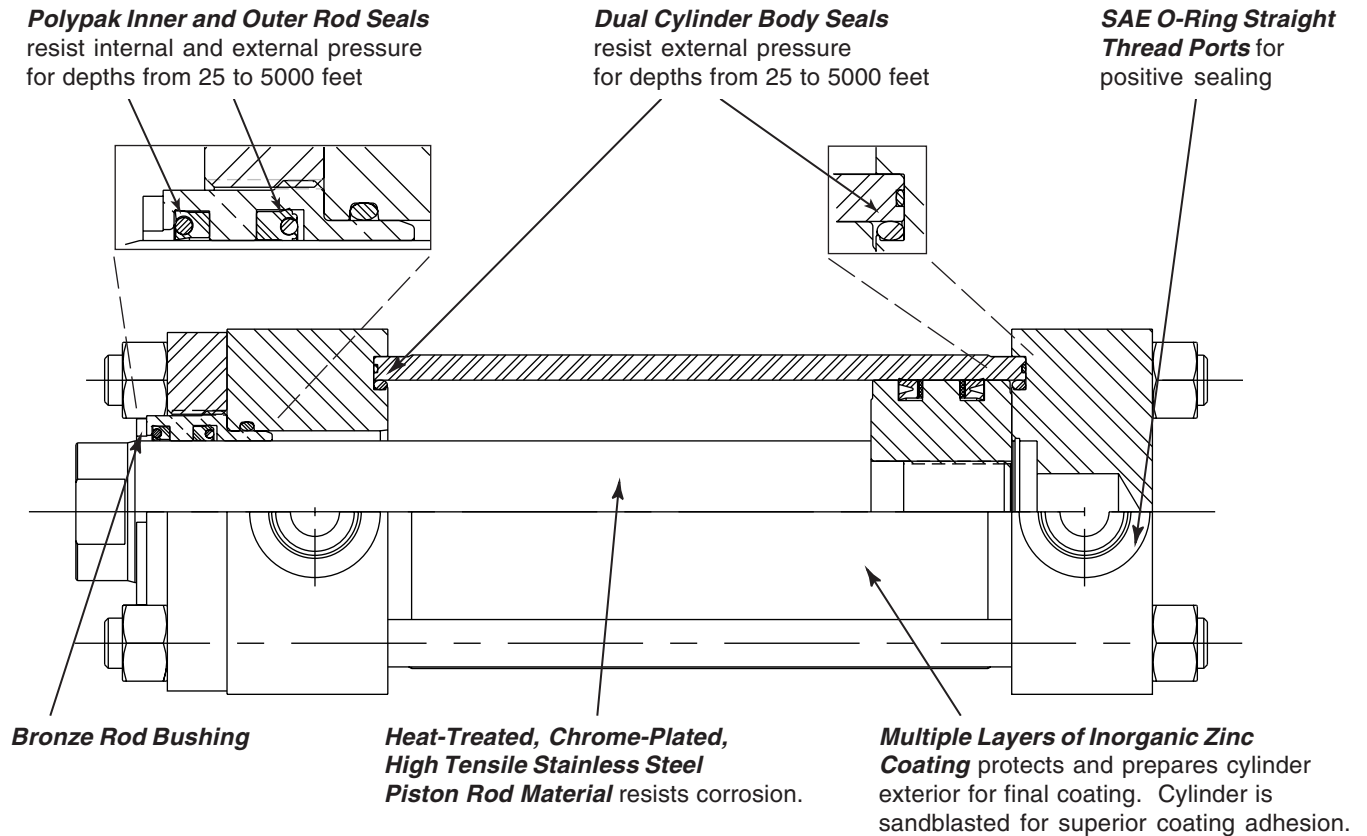
Table 1 — Part Numbers and Dimensions

Part No.	A	B	C*	D	E	F	G	H	J	K	Max. Pull Load (lbs.)	Approx. Weight (lbs.)
1347570031	5/16-24	1 1/8	1 3/4	15/16	1/2	1/2	3/8	3/4	3/8	15/16	1200	.35
1347570038	3/8-24	1 1/8	1 3/4	15/16	1/2	1/2	3/8	3/4	3/8	15/16	2425	.35
1347570044	7/16-20	1 3/8	2	1 1/8	3/4	5/8	1/2	7/8	3/8	1 3/32	3250	.55
1347570050	1/2-20	1 3/8	2	1 1/8	3/4	5/8	1/2	7/8	3/8	1 3/32	4450	.55
1347570063	5/8-18	1 3/8	2	1 1/8	3/4	5/8	1/2	7/8	3/8	1 3/32	6800	.55
1347570075	3/4-16	2	2 5/16	1 5/8	1 1/8	15/16	3/4	1 5/16	7/16	1 9/32	9050	1.4
1347570088	7/8-14	2	2 5/16	1 5/8	1 1/8	15/16	3/4	1 5/16	7/16	1 9/32	14450	1.4
1347570100	1-14	3 1/8	3	2 3/8	1 5/8	1 7/16	1 1/4	1 7/8	3/4	1 25/32	19425	4.8
1347570125	1 1/4-12	3 1/8	3	2 3/8	1 5/8	1 7/16	1 1/4	1 7/8	3/4	1 25/32	30500	4.8
1337390125	1 1/4-12	3 1/2	4	2	2	1 1/2	1 1/4	1 11/16	3/4	2 1/2	30500	6.9
1337390150	1 1/2-12	4	4 3/8	2 1/4	2 1/4	1 3/4	1 1/2	1 15/16	7/8	2 3/4	45750	9.8
1337390175	1 3/4-12	4	4 3/8	2 1/4	2 1/4	1 3/4	1 1/2	1 15/16	7/8	2 3/4	58350	9.8
1337390188	1 7/8-12	5	5 5/8	3	3	2 1/4	1 15/16	2 5/8	1 3/8	3 3/8	67550	19.8

How to Order Linear Alignment Couplers — When ordering a cylinder with a threaded male rod end, specify the coupler of equal thread size by part number as listed in Table 1, i.e.; Piston Rod “KK” or “CC” dimension is 3/4" - 16", specify coupler part number 1347570075.

For additional information – call your local Parker Cylinder Distributor.

Water Submersible Option for Series 2H and 3H Hydraulic Cylinders



Features:

- Subsea rod seal package
- Subsea cylinder body seal package
- Chrome Plated Stainless Steel, High Tensile Piston Rod (17-4PH)
- Inorganic Zinc Primer coating
- Heavy-Duty Hydraulic Service - ANSI/(NFPA) T3.6.7R2-1996 Mounting Dimensions

Custom Options available for Special Order:

- All Stainless Steel Construction
- High tensile Stainless Steel tie rods and nuts
- End of Stroke Switches
- Electroless Nickel Plating
- Chrome-plated Interior Cylinder wall

Specifications:

- Submersion Depth: up to 5000 feet
- Cylinder normal pressure rating: 3000 psi
- Coating: 2 Coats Inorganic Zinc primer: Dimetcote 21-5 or equivalent 2-4 mils total.
- Surface Preparation: Sandblast to SP-10
- Operating Temperature: -10° to +160° F
- Consult Cylinder Catalog for Standard Cylinder specifications
- Seals compatible with Water Glycol Fluids
- Extra Thick Chrome Plated Piston Rod

For Cylinder Division Plant Locations – See Page II.

Water Submersible Option for Series 2H and 3H Hydraulic Cylinders

How to Order

How to order:

1. Specify the complete Parker Cylinder Model Number from Table A and from Cylinder Catalog.
2. Put an “S” in the model number to indicate a special cylinder.
3. Include the 5 digit specification code from Table B.
4. For custom options, such as switches, provide a complete description or drawing of your requirements.

Table A — Basic Model Numbers

Bore Size	Cushion Head End	Double Rod	Mounting Style	Mounting Modification	Series	Piston	Ports	Common Modifications	Special Modifications	Piston Rod Number	Rod End Thread Style	Thread Type	Cushion Cap End	Stroke
4.00	C	—	TC	P	2H	L	T	V	S	1	4	A	C	X24.00
Specify. Consult dimension tables for available bore sizes. Also see current Parker Industrial Cylinder Catalog 0106.	Specify only if cushion Head End is required.	Consult factory for double rod cylinders.	Specify Mounting Style 2H. Consult dimension tables for available mounting styles.	Specify P- for thrust key mounting. ONLY IF REQUIRED.	Specify Series	Use L for Lipseal Piston. Use K for Hi-Load Piston. Use C for ring type piston.	Specify “T” for SAE straight thread ports.	If required specify V = Fluorocarbon Seals Consult Engineering Section of current Parker Industrial Catalog 0106 for fluid compatibility information.	Specify an “S” Submersible Option	Specify rod code number. Consult dimension tables for available rod diameters and Engineering section of the catalog, for rod buckling considerations.	Specify Style 4, Small Male. Style 8, Intermediate Male. Style 3, Special. Specify KK, A, LA or W dimension required.	Specify A = UNF W = BSF M = Metric	Specify “C” if cap end cushion is required.	Specify in inches. Show symbol “x” just ahead of stroke length.

Table B: Subsea Code

Feature	Code	Specification
Submersion Depth	1	less than 25 feet (uses conventional 2H rod and body seal design)*
	2	between 25 feet and 5000 feet (uses submersible rod and body seal design)
	3	Other (specify) (advise depth and other requirements)
Cylinder Body	C	Chrome plated interior
	P	Plain interior
Corrosion Protection	1	Standard
	2	Inorganic Zinc primer with Stainless Steel tie rods, nuts & fasteners
	3	Electroless nickel plate exterior with SS tie rods, nuts & fasteners
	4	Other (specify)

Example:

4.00 BB 2HK T S 14 X 24*

S=Subsea Code: 2-P-1

(describes a 4” x 24” cylinder for submersion up to 5000 feet, with a plain cylinder body wall and standard corrosion protection.)

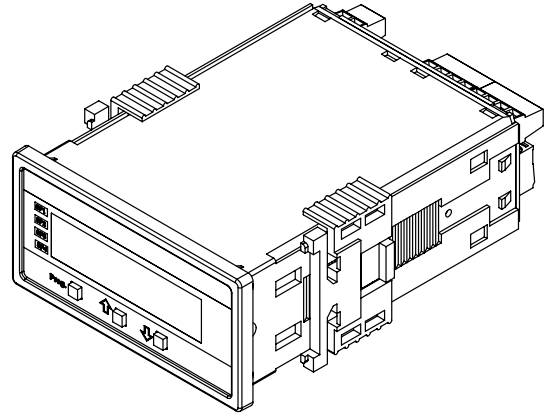
*Consult current Parker Cylinder Catalog 0106 for complete model number and specifications.

For additional information – call your local Parker Cylinder Distributor.

Parker Introduces the LRTC LRT Controller

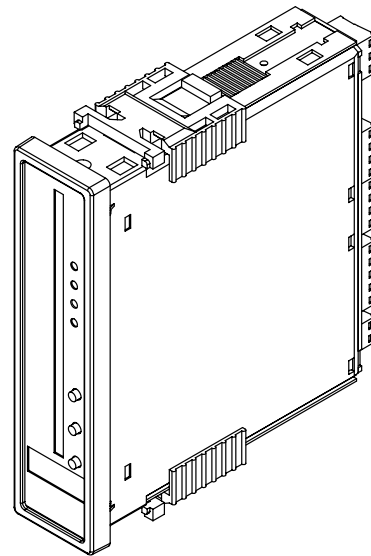
Panel Meter Controller

- AC or DC Power Supply
- Analog Output
 - 4-20 mA
 - 0-10 VDC
- Relay Output
 - Single, Dual, or Four 5A Form A Relays



101 Segment Bargraph Controller

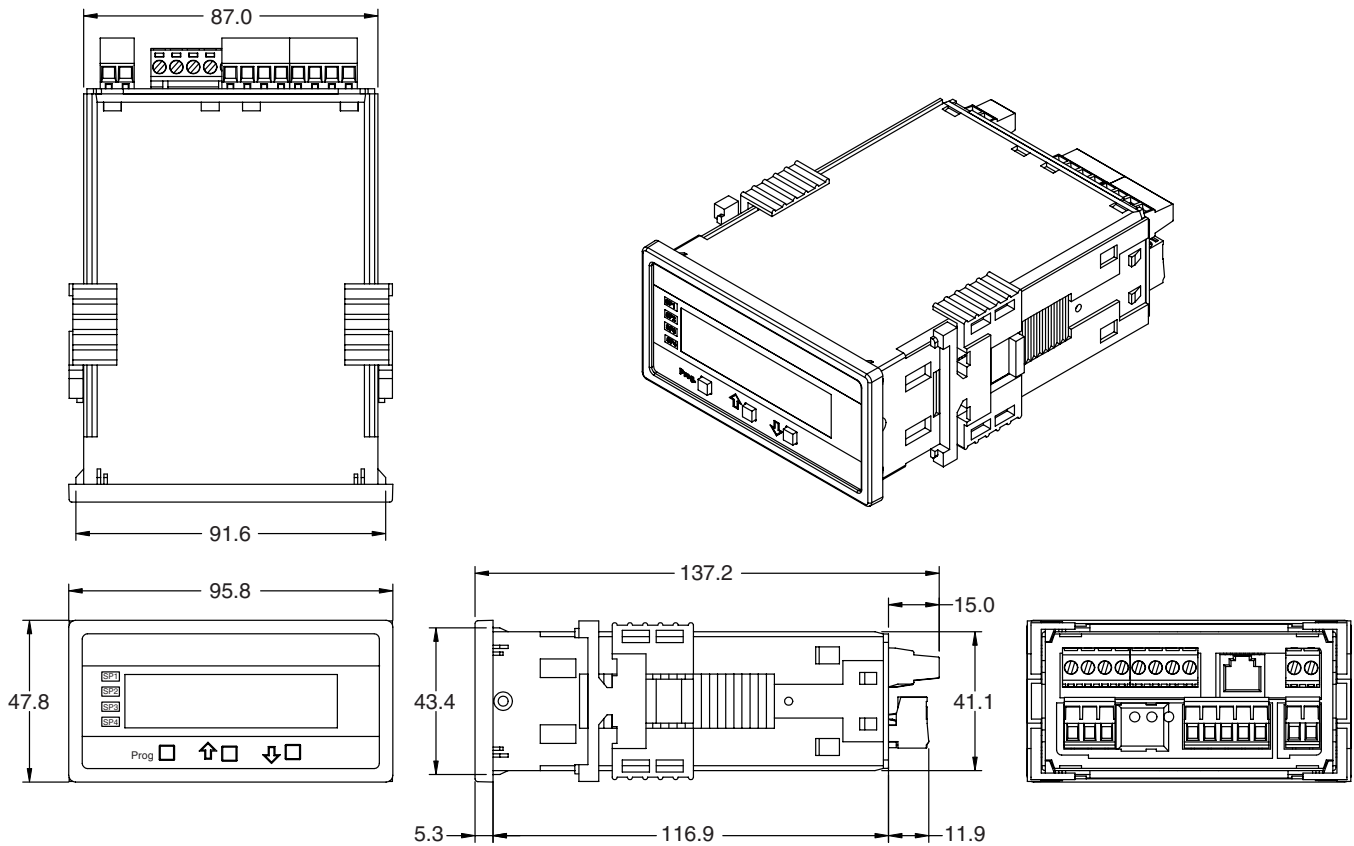
- Display – Red or Tricolor LED
- AC or DC Power Supply
- Analog Output
 - 4-20 mA
 - 0-10 VDC
- Relay Output
 - Combinations of 10A Form C and 5A Form A Relays



- Multiple Setpoints
- High Speed Capability
- Simple Installation
- NEMA 4 Rating (with cover)

- Multiple Relays
- 16 Bit Internal Resolution
- Panel Meter or Bargraph Display

For additional information – call your local Parker Cylinder Distributor.

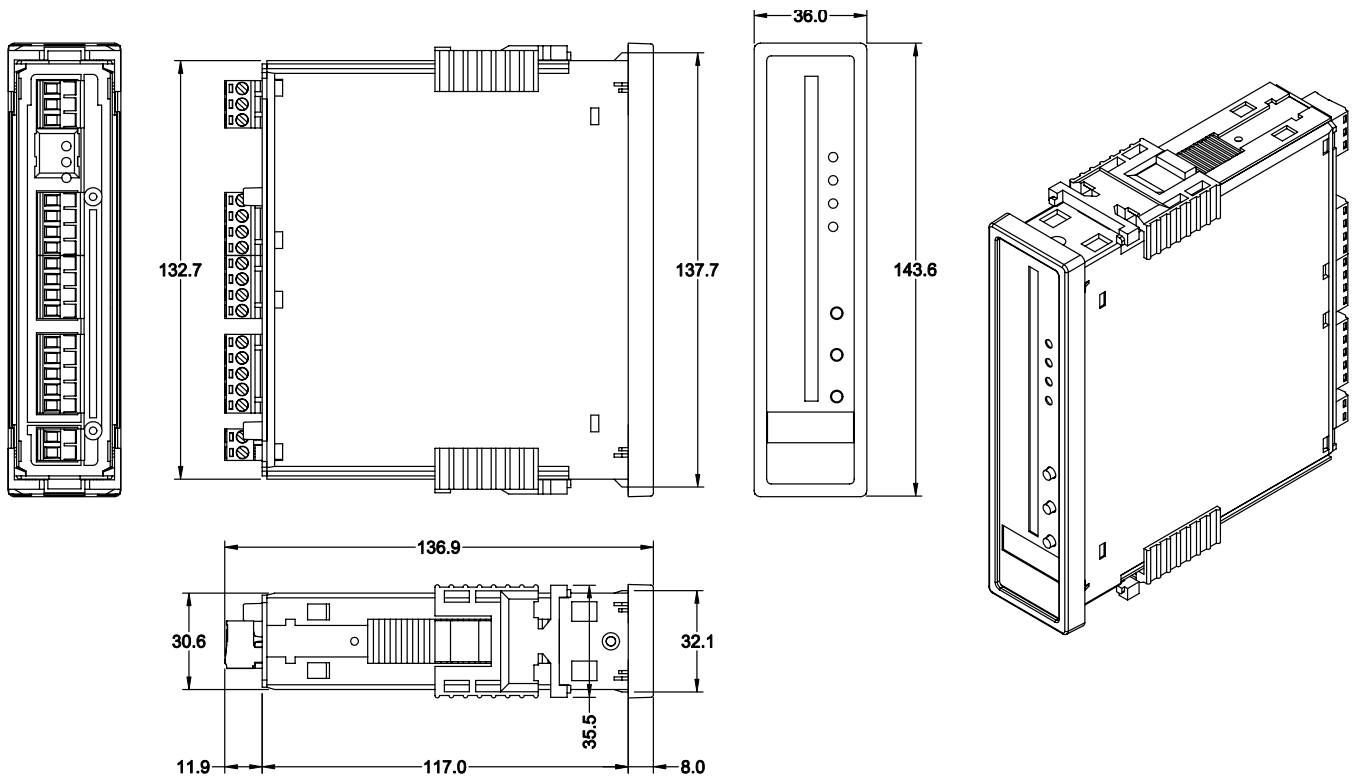


Electrical Specifications, Controller Part #149345

- Power Input Requirements High voltage, 85 – 265 VAC, or 95 – 370 VDC
Low voltage, 9 – 32 VAC, OR 10 – 60 VDC
- Relay Output Options One 5A Form A Relay
Dual 5A Form A Relays
Four 5A Form A Relays
- Analog Output Specification Isolated, 16-bit Current Output; 0 – 20 mA or 4 – 20 mA
Isolated, 16-bit Voltage Output; 0 – 10 VDC
Accuracy: 0.02% over Full Scale
Resolution: 1/45,000
Update Rate: 7 Readings per second
- Internal Resolution 16 Bits
- Operating Temperature Range 0 – 50°C, +32°F to +122°F
- Warm-up Time 10 Minutes
- Numerical Display Digital, 4 digits
- Display Range -1,999 to +9,999
- Setpoints Setpoint 1 activates Relay 1
Setpoint 2 activates Relay 2
Setpoint 3 activates Relay 3
Setpoint 4 activates Relay 4
- NEMA Rating 4 (with cover, Part #087861000)

For Cylinder Division Plant Locations – See Page II.

Controller Dimensions, Part #149346



Electrical Specifications, Controller Part #149346

- Power Input Requirements High voltage, 85 – 265 VAC, or 95 – 370 VDC
Low voltage, 9 – 32 VAC, OR 10 – 60 VDC
- Relay Output Options One 5A Form A Relay
Two 5A Form A Relays
Dual 10A Form C & Dual 5A Form A Relays
- Analog Output Specification Isolated, 16-bit Current Output; 0 – 20 mA or 4 – 20 mA
Isolated, 16-bit Voltage Output; 0 – 10 VDC
Accuracy: 0.02% over Full Scale
Resolution: 1/45,000
Update Rate: 7 Readings per second
- Internal Resolution 16 Bits
- Operating Temperature Range 0 – 50°C, +32°F to +122°F
- Warm-up Time 10 Minutes
- Vertical Display VRR – 101 Segment, Red LED Vertical Bar Graphic Display
VTR – 101 Segment, Tri-color Vertical Bar Graphic Display
- Annunciators Six, red LED's on front panel; one annunciator per setpoint
- Numerical Display Digital, 4 digits
- Display Range -1,999 to +9,999
- Setpoints Setpoint 1 activates Relay 1
Setpoint 2 activates Relay 2
Setpoint 3 activates Relay 3
Setpoint 4 activates Relay 4
- NEMA Rating 4 (with cover, Part #087867000)

For additional information – call your local Parker Cylinder Distributor.

Ordering Code for Panel Meter Controller

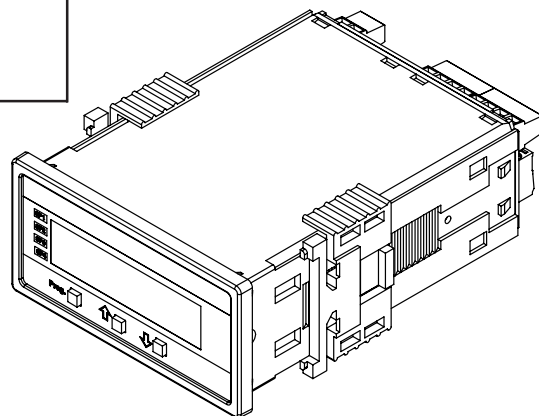
Part Number Example: 149345 — — — — — **1** **C** **R** **1**

- Power Supply** _____
- 1 = 85-265 VAC / 95-370 VDC
 - 2 = 18-48 VAC / 10-72 VDC

- Analog Output** _____
- C = Isolated 16-bit Current Output, 4-20 mA
 - V = Isolated 16-bit Voltage Output, 0-10 VDC

- Relay Output** _____
- R1 = Single 5A Form A Relay
 - R2 = Dual 5A Form A Relays
 - R4 = Four 5A Form A Relays

Note: Input requires a 3-wire potentiometer 1 kOhm min. (0 to 100.0).



Ordering Code for 101 Segment Bargraph Controller

Part Number Example: 149346 — — — — — **R** **1** **C** **2**

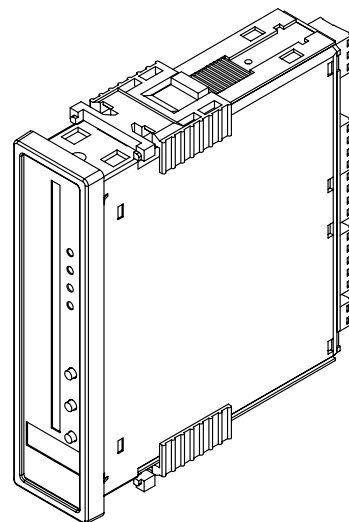
- Display** _____
- R = Red LED Vertical Bargraph with 4-digit Red DPM
 - T = Tri-color LED Vertical Bargraph with 4-digit Red DPM

- Power Supply** _____
- 1 = 85-265 VAC / 95-370 VDC
 - 2 = 18-48 VAC / 10-72 VDC

- Analog Output** _____
- X = No Analog Output
 - C = Isolated 16-bit Current Output, 4-20 mA
 - V = Isolated 16-bit Voltage Output, 0-10 VDC

- Relay Output** _____
- 1 = Single 10A Form C Relay
 - 2 = Dual 10A Form C Relays
 - 3 = Dual 10A Form C & Single 5A Form A Relays
 - 4 = Dual 10A Form C & Dual 5A Form A Relays
 - 5 = Single 10A Form C & Dual 5A Form A Relays
 - 6 = Single 10A Form C & Single 5A Form A Relays

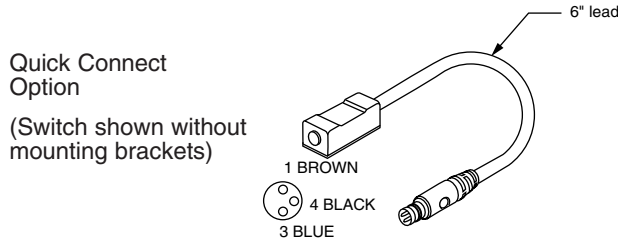
Note: Input requires a 3-wire potentiometer 1 kOhm min. (0 to 100.0).



Magnet Actuated Switches with Quick Connect

Magnet Actuated Switches are available for Series SRM, P, 2MA, MP, and RC cylinders. Refer to the appropriate Catalog information for electrical specifications on each switch. The standard lead wire length is 39" (1 meter).

Switches for the above cylinders are also offered with a 6 (six) inch lead with a male quick connect option.



Switches are supplied with the bracket to mount the switch to the cylinder. Refer to the switch information for each series for bracket dimensions.

Switches with 6" Lead and Quick Connect Male End

Series	Reed	NPN Sinking	PNP Sourcing
SR, P	145903000C	146714000C	146715000C
MA	L07448000C	L07450000C	L07449000C
2MA (1 1/2", 2 1/2", 5", 6") (3 1/4", 4", 8")	L07486000C L07487000C	L07488000C L07490000C	L07491000C L07492000C
MP 32mm, 40mm 50mm, 63mm 80mm, 100mm	L07525000C L07526000C L07527000C	L07528000C L07529000C L07530000C	L07531000C L07532000C L07533000C
RC	L07480000C	L07481000C	L07482000C

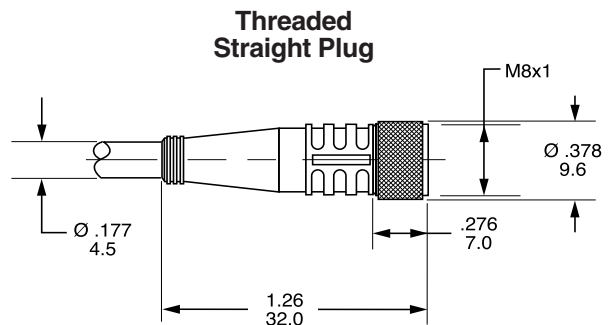
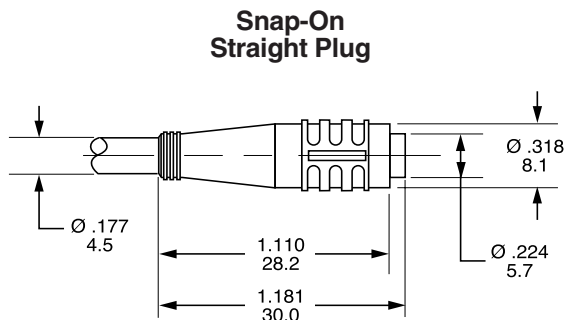
Cordset with Female Quick Connect (Order Separately)

A female connector is available for all switches with the male quick connect option. The male plug will accept a snap-on or threaded connector. Cylinder Division cordset part numbers and other manufacturer's part numbers are listed below:

Manufacturer	Snap-On Version	Threaded Version
Parker	086620S005	086620T005

Cordset Specifications:

- Connector: Oil resistant polyurethane body material, PA 6 (Nylon) contact carrier, spacings to VDE 0110 Group C, (150 VAC / DC)
- Contacts: Gold plated beryllium copper, machined from solid stock
- Coupling Method: Snap-Lock or chrome plated brass nut
- Cord Construction: Oil resistant black PUR jacket, non-wicking, non-hygroscopic, 300V. Cable end is stripped and tinned.
- Conductors: Extra high flex stranding, PVC insulation
- Temperature: -40° to 185°F (-40° to 85°C)
- Protection: NEMA 1, 3, 4, 6P and IEC IP67
- Cable Length: 6.56 ft (2m) or 16.4 ft (5m)



For additional information – call your local Parker Cylinder Distributor.

Parker *inPHorm*TM

Cylinder Sizing, Selection, and Parametric CAD Software

Parker is pleased to introduce Version 1.5 of *inPHorm*TM for Cylinders. This program allows you to select the proper Parker cylinder for your application. *inPHorm* for Cylinders will increase your efficiency and minimize the engineering time required to design in cylinders. This new release, *inPHorm* 0860 CD/USA Version 1.5 has been updated with new product lines and seal kit information.

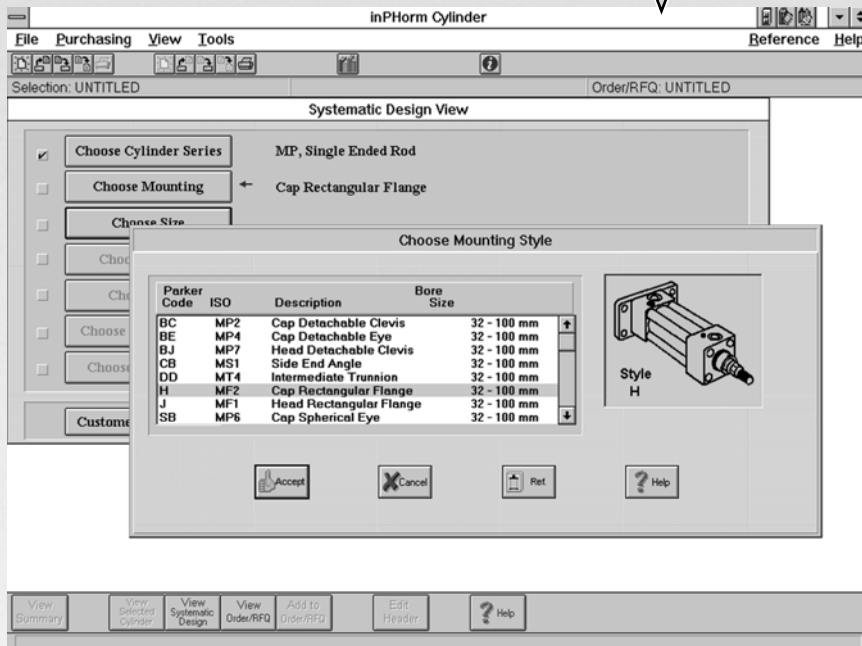
inPHorm for Cylinders is written for use with Windows, which makes it extremely user friendly. You can use the program to develop a model number. *inPHorm* for Cylinders guides you through the selection process, performs the calculations, and eases the process of sorting through catalog drawings, charts and tables. You can also employ the "Direct Part Number Entry" module to input a known model number. In either case, you can view a dimensioned

drawing, generate a print or DXF file and even create a quote request or order form.

"Advisor" options within the program offer additional assistance with special modifications and design considerations.



THE UPDATED
VERSION 1.5
NOW ON
CD



During any portion of the program, reference material can be accessed or printed for future use.

The *inPHorm* cylinders sizing, selection and parametric CAD software is designed around the user to assist in the design process and minimize the time required to specify, draw and file your favorite Parker Cylinder product. By working with the Parker *inPHorm* for Cylinders software, the design, selection and specification of Parker cylinders becomes easier and faster for the most effective use of your valuable time.

System Highlights

- Cylinder Sizing and Selection
- Parametric Drawing Creation
- Windows-based
- Input Formats:
 - Direct Part Number Entry
 - Systematic Design
- Available Information Outputs:
 - HPGL CAD Drawing
 - CAD File (*.dxf)
 - Selection Summary
 - Printout
 - RFQ/Order Sheet Printout

For further details, or to purchase your copy of *inPHorm* for Cylinders, call your local Parker distributor or 1-800-C-Parker (272-7537). To try *inPHorm* visit our web site at www.Parker.com/cylinder.

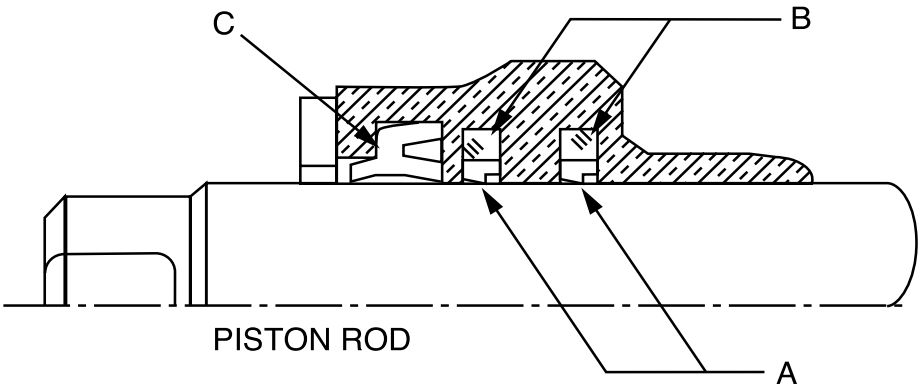
Worldclass
Quality Products
and Service



Parker Series 2H Hydraulic and Series 2HX Electrohydraulic Cylinders with Low Friction Seal Option High Performance Cylinders For Your Demanding Applications

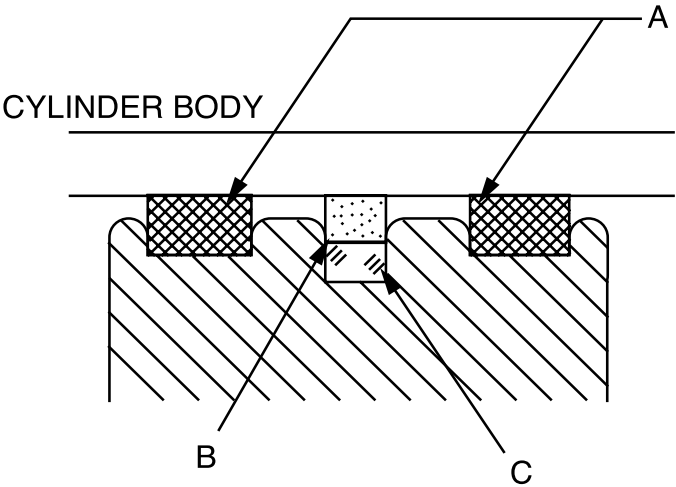
- Smooth-running operation – reduces “slip-stick” or “chatter”
- Ideally suited for use in servo applications
- Bronze-filled PTFE material for low friction, rapid break-in and long service life
- Innovative seal geometry for maximum sealing efficiency

Low Friction Rod Gland



- A** - Dual step-seal rod seals insure positive sealing and smooth operation up to 3,000 PSI.
- B** - Square ring elastomer expander for pressure compensation and low pressure effectiveness.
- C** - Dual lip wiper keeps contaminants out.
- D** - Available in 1", 1³/₈", 1³/₄", 2", 2¹/₂", 3", 3¹/₂", 4", 4¹/₂", 5", 5¹/₂" diameter piston rods.

Low Friction Piston

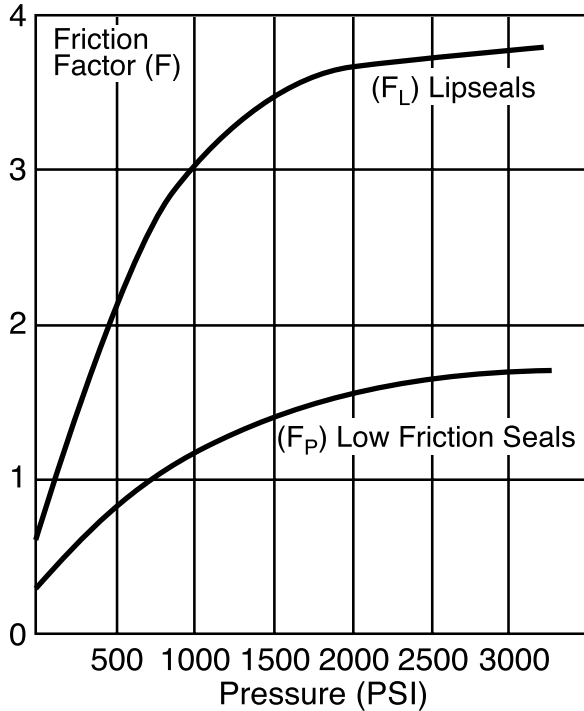


- A** - Dual bronze-filled PTFE piston bearings for high load capacity, low friction and no metal-to-metal contact.
- B** - Bronze filled PTFE piston seal insures maximum sealing efficiency.
- C** - Square-ring elastomer expander for pressure compensation
- D** - Available in 2", 2¹/₂", 3¹/₄", 4" and 5" diameter piston rods.

For additional information – call your local Parker Cylinder Distributor.

Seal Friction

Seal friction under a given set of working conditions is not easily calculated due to the multiplicity of variables involved. The following graphs are offered as a guide for use in performance calculations, but for critical application measurements should be made under simulated or actual working conditions.



Calculation of Running Friction

The seal friction attributable to the cylinder is calculated as the sum of the friction due to the individual sealing elements = (wiper seal friction + rod seal friction + piston seal friction), using the following formulae:

Seal Option:	Formula:
Lipseal Rod + Piston	$12d + 12 F_L d + 24 F_L D$
Lipseal Rod w/Low Friction Piston	$12d + 12 F_L d + 12 F_P D$
Low Friction Rod + Piston	$12 + 30 F_P d + 6 F_P D$

Where: d = rod dia. (in.) D = bore dia. (in.)

F_L = friction factor for lipseals (F_L)

F_P = friction factor for PTFE (F_P)

Breakaway Friction:

Breakaway friction may be calculated by applying the following correction factors:

Correction factors:

Lipseals: $F_L \times 1.5$

Low Friction: $F_P \times 1.0$

Sample Calculation:

2HX Cylinder with 3.25 dia. bore + 1.75 dia. piston rod with low friction seals at 1500 PSI.

Running Friction Calculation:

$$\text{Friction (lbs. force)} \cong 12d + 30F_P d + 6F_P D$$

$$\text{Friction (lbs. force)} \cong 12 (1.75) + 30 (1.3 \times 1.75) + 6 (1.3 \times 3.25)$$

$$\text{Friction (lbs. force)} \cong 115$$

Breakaway Friction Calculation:

$$F_P \times 1.0 \cong F_P$$

Based on zero pressure:

$$\text{Friction (lbs. force)} \cong 12d + 30F_P d + 6F_P D$$

$$\text{Friction (lbs. force)} \cong 12 (1.75) + 30 (.3 \times 1.75) + 6 (.3 \times 3.25)$$

$$\text{Friction (lbs. force)} \cong 43$$

Specifications for Low Friction Option:

Operating Pressure: 0 - 3000 PSI

Operating Temperature: -10°F to +160°F.
For higher temperatures, consult factory.

Fluid Media: Petroleum based hydraulic oils.
For other fluids, consult factory.

How to Order Low Friction Option for Series 2H or 2HX Cylinders

When ordering series 2H or 2HX cylinders, place an "S" in the model number for "special" and specify the following:

"Low friction piston and rod seals."

Consult current electrohydraulic cylinder catalog for detailed cylinder model number system.

Consult factory for availability of gland drain or other options.

Special Cylinders

Parker has the sales, engineering and manufacturing capability and experience to provide special cylinder designs to meet your specific applications. Working with Parker expertise will help you maintain the high standards demanded by the modern technology of today ...and tomorrow.



Pneumatic cylinders still stroking after 40 years

Pair of 36-inch bore tandem pneumatic cylinders. Both 12.5" stroke cylinders operate on 100 psi air.

For additional information – call your local Parker Cylinder Distributor.

Other Applications



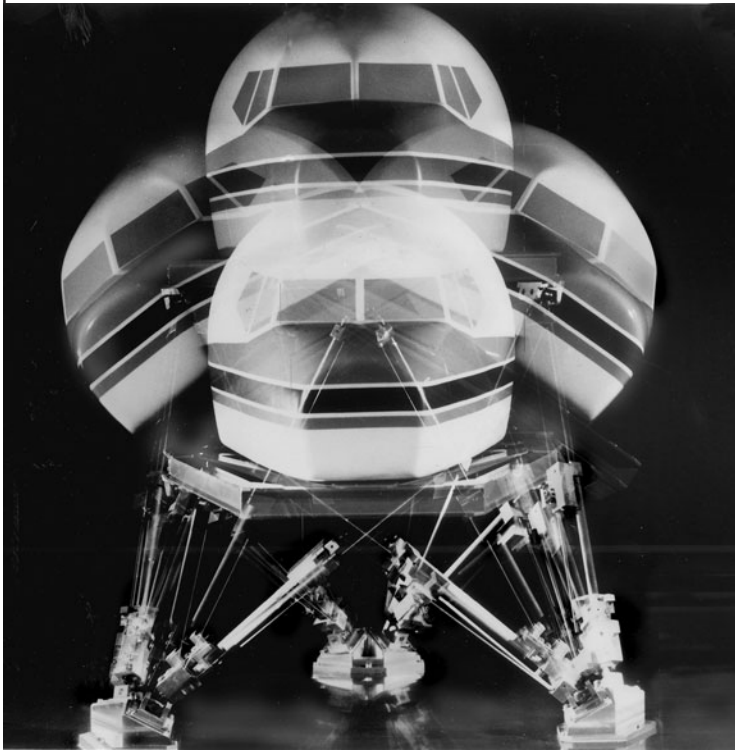
NASA Space Shuttle...

In a typical aborted simulated liftoff profile, the hydraulic cylinders must accelerate the 10,000 pound sled to a speed of 2 inches per second for 10 inches, then reverse direction with a 1 G downward acceleration to 7.5 feet per second for 6 inches to simulate rebound. Sled movement must then be decelerated smoothly and stopped in 7.5 inches of additional travel.

The cylinders were designed to achieve a maximum piston speed of 7.5 feet per second and exert forces to 70,000 pounds maximum, the cylinder must handle up to 430 gpm of oil at pressures to 4000 PSI, requiring a cylinder output of 1000 hp.

The specification regarding oil leakage was extremely tight. For example, external leakage was to be zero. Internal leakage around the piston at the mid-stroke position could be no more than 5 cc per 24 hours when pressurized to 4000 psi gage on one side and zero psi gage on the other. This low leakage level was also to be maintained when the piston was pressurized on both sides.

The cylinders passed all NASA requirements and performed with excellent results.



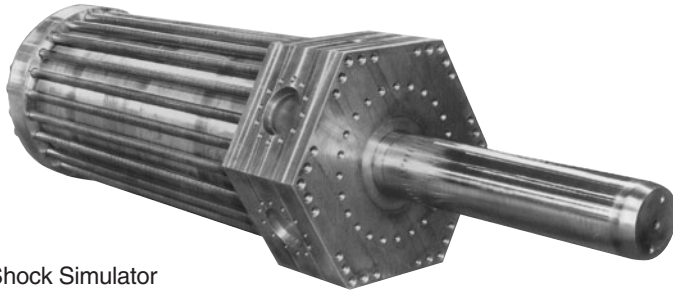
Flight Simulator...for training pilots

The 6 degree of motion platform is supported by six special design 3¹/₂" bore x 56" net stroke hydraulic cylinders operating at 1200 PSI (nominal pressure 2000 PSI).

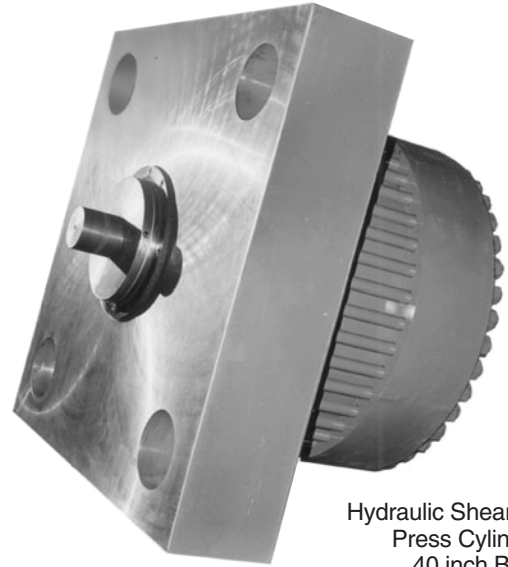
Design features include pressurized hydrostatic bearings for low friction operation, piccolo type cushions for predictable and reliable performance in this critical application and built in transducers in the piston rod to detect platform position.

Special Cylinders

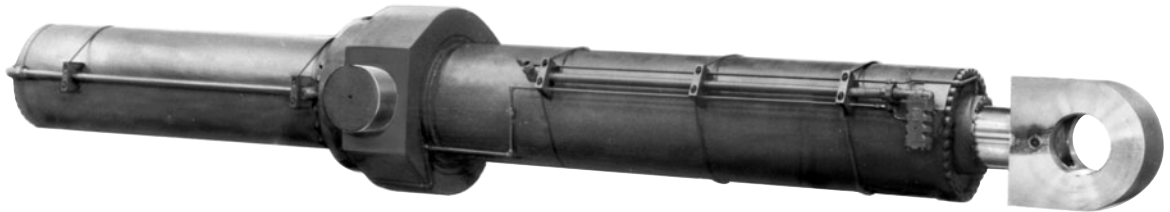
Your imagination and Parker engineering...



Shock Simulator
Hydraulic Cylinder
6000 PSI Operating Pressure
20 inch Bore x 45½ inch Stroke



Hydraulic Shearing
Press Cylinder
40 inch Bore
x 6 inch Stroke
20 inch Diameter Rod
3000 P.S.I. operating pressure



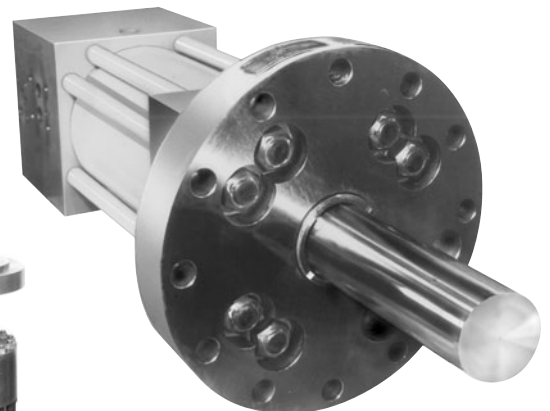
Boom Hoist Hydraulic Cylinder
19 inch Bore x 145 inch Stroke
10 inch Diameter Rod



Duplex Hydraulic Cylinder for
Hydraulic Rotating Chuck
8 inch Bore x 2 inch Stroke
12½ inch bore x 9/16 inch Stroke
1000 P.S.I. operating pressure



Special 2H Duplex Rotary Hydraulic Cylinder
All Ports Located in Piston Rod
12 inch Bore x 9/16 inch Stroke
8 inch bore x 2 inch Stroke
1000 P.S.I. operating pressure



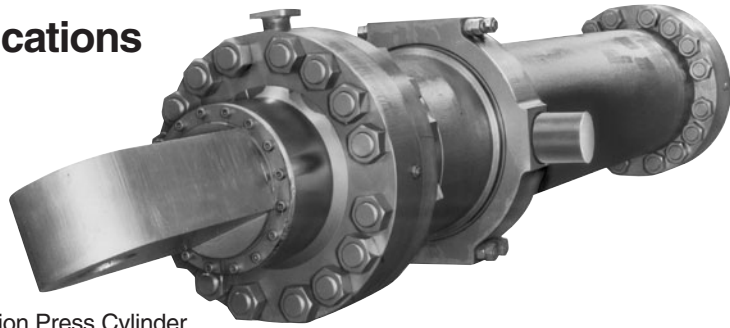
Valve Operator
8 inch Bore and 10 inch Stroke
1600 P.S.I. operating pressure

For additional information – call your local Parker Cylinder Distributor.

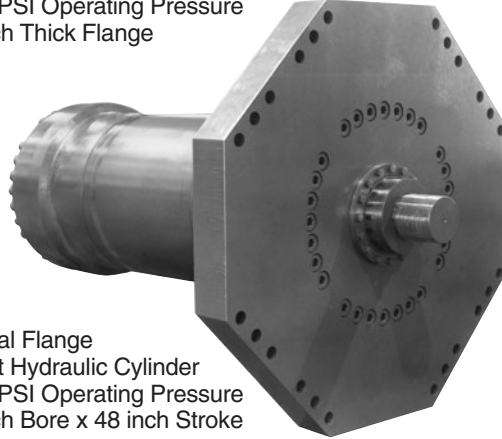
the keys to unexplored applications



Special Hydraulic Cylinder
40 inch Bore x 20 inch Stroke
30 inch Diameter Rod
Single Acting Rear Flange Mounted



Extrusion Press Cylinder
3000 PSI Operating Pressure
12 inch Thick Flange

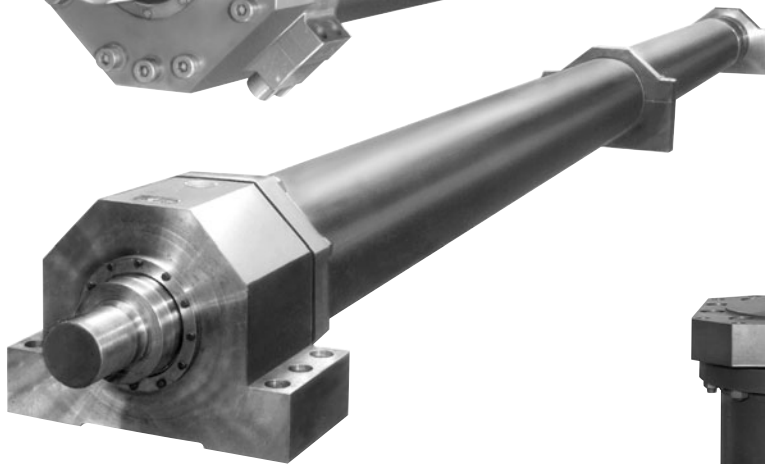


Special Flange
Mount Hydraulic Cylinder
2000 PSI Operating Pressure
24 inch Bore x 48 inch Stroke

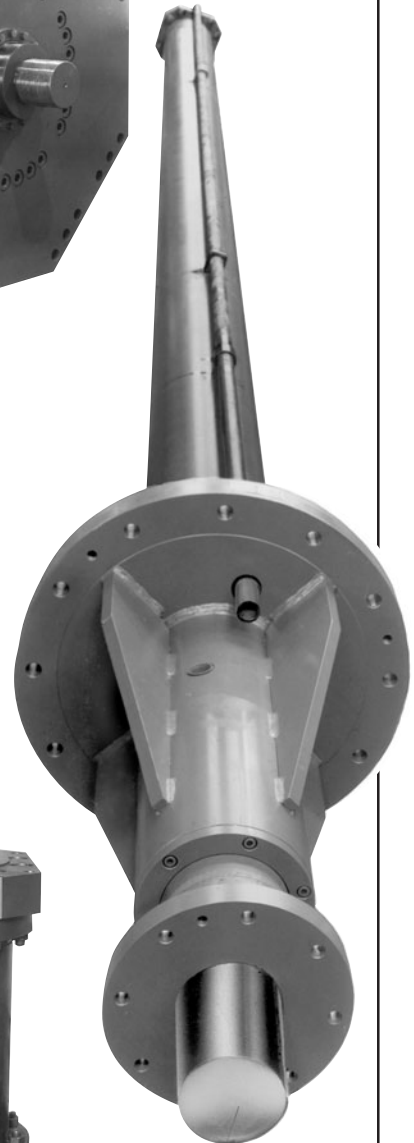
Double-Cut Shear Cylinder
3000 PSI Operating Pressure
14 inch Bore x 101 inch Stroke



Special Stroke Hydraulic Cylinder
14 inch Bore x 27 foot Stroke
Hollow 8 1/2 inch Diameter Rod



JB Mount, Ring Design
Air Cylinder
20 inch Bore x 21 7/8 inch Stroke
Cushioned Both Ends



Special Flange Mounted
Hydraulic Cylinder
2000 PSI Operating Pressure
10 inch Bore x 336 inch Stroke

For Cylinder Division Plant Locations – See Page II.

Cylinder Parts Identification and Seal Kit Data

Index

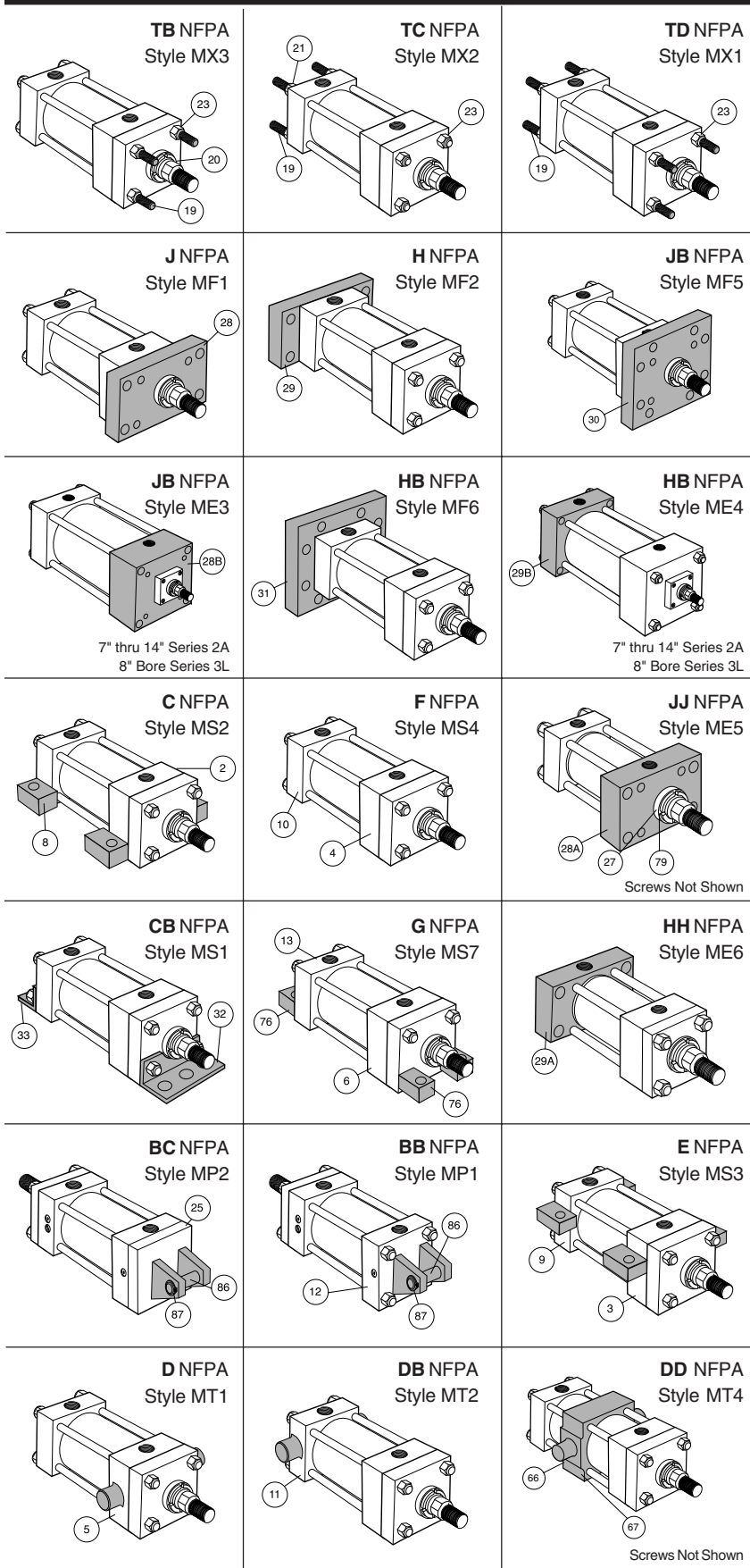
Page

Series 2A, 2H, 3H, 3L, VH Cylinders Mounting Parts Identification	41
Series 2A, 2H, 3L, VH Cylinders Parts Identification Cushion Kits – Standard and Fluorocarbon	42-43 43
Series 2A, 2H, 3L, VH Cylinders Seal Kits – Standard Seals Piston Seal Options Ring Type Piston Lipseal Type Piston Hi-Load Type Piston	44 44
Series 2A, 2H, 3L, VH Cylinders Seal Kits – Group 5 Service Piston Seal Options Ring Type Piston Lipseal Type Piston Hi-Load Type Piston	45 45
Series 2AN Cylinders Piston Seal Kits Rod Seal Kits	46-47 48-49
TS-2000 Seal Kits and Gland Replacement Procedure	50-51
Series 3H Large Bore Hydraulic Cylinders Parts Identification Seal Kits	52-53 53
Series 3H 7" & 8" Bore Hydraulic Cylinders Parts Identification and Maintenance Instructions	54 & 55
Series HMI Cylinders Parts Identification Seal Kits and Replacement Parts	56-57 57
Series MA Air Cylinders Seal Kits/Parts Identification	60
Series VP Air Cylinders Parts Identification/Seal Kits	61

For additional information – call your local Parker Cylinder Distributor.

Series 2A, 2H, 3H, 3L, VH Cylinders

Mounting Parts Identification



Replacement Mountings & Hardware

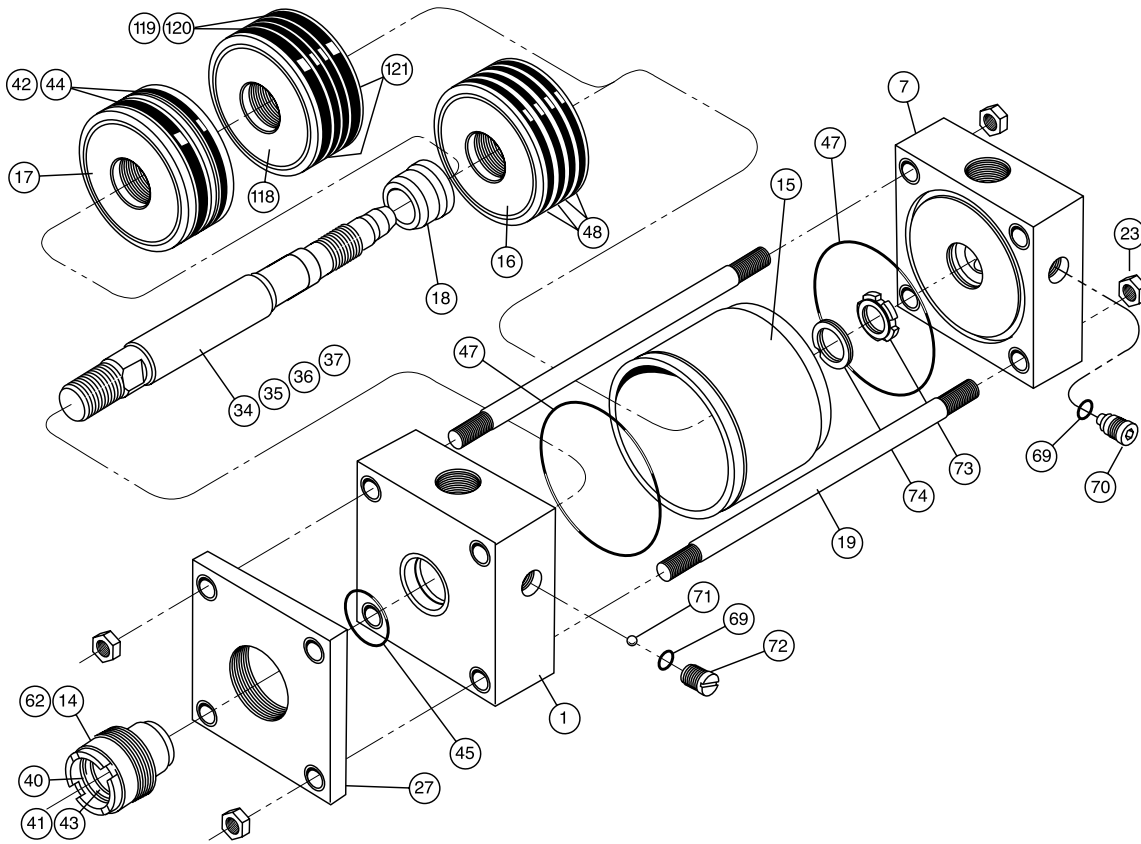
Note: For items not shown see pages 42 and 43.

Symbol	Description
2	Head, side lug mtg. Style C
3	Head, centerline lug mtg. Style E
4	Head, side tapped mtg. Style F
5	Head, trunnion mtg. Style D
6	Head, end lug mtg. Style G
8	Cap, side lug mtg. Style C
9	Cap, centerline lug mtg. Style E
10	Cap, side tapped mtg. Style F
11	Cap, trunnion mtg. Style DB
12	Cap, fixed clevis mtg. BB
13	Cap, end lug mtg. Style G
19	Tie rod
20	Tie rod, head end mtg. Style TB
21	Tie rod, cap end mtg. Style TC
23	Tie rod nut
25	Detachable clevis, mtg. Style BC
27	Retainer
28	Flange, rectangular mtg. Style J
28A	Head, rectangular mtg. Style JJ
28B	Head, square mtg. Style JB
29	Flange, rectangular mtg. H
29A	Cap, rectangular mtg. Style HH
29B	Cap, square mtg. Style HB
30	Flange, square mtg. Style JB
31	Flange, square mtg. Style HB
32	Mounting angle, head end Style CB
33	Mounting angle, cap end Style CB
66	Intermediate trunnion Style DD
67	Screws, intermediate trunnion mtg.
76	End lug, head end mtg. Style G
79	Socket head cap screws, Style JJ Mtg.
86	Clevis pin, mtg. Style BB & BC
87	Retaining ring, mtg. Style BB & BC

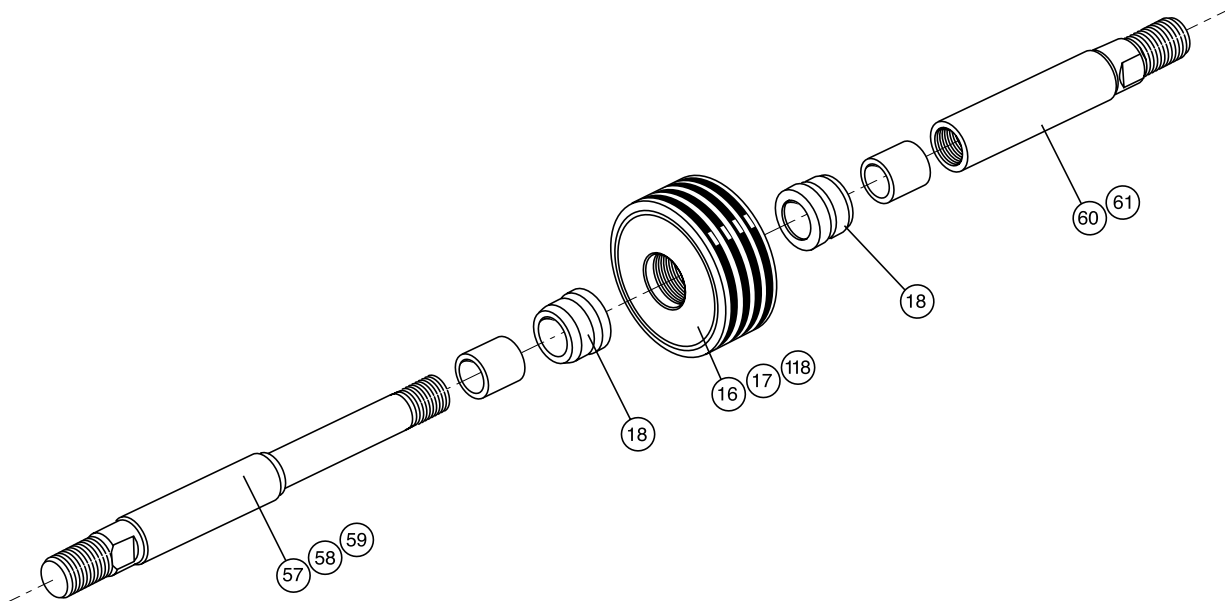
How to Order

Give cylinder model number, bore, stroke, serial number and symbol number shown above to insure proper replacement.

For Cylinder Division Plant Locations – See Page II.



K-Type Rod Assembly



For additional information – call your local Parker Cylinder Distributor.

Series 2A, 2H, 3L, VH Cylinders

Parts Identification Cushion Kits

Note: For specific mounting styles see page 41.

Parts		Assemblies (Includes Symbol Numbers Shown)				
Symbol	Description	Symbol	Description	Ring Type Piston	Lipseal Type Piston	Hi-Load Type Piston
1	Head, ported, non-cushioned	C1SA	Head, ported, cushioned		1, 69, 70, 71 & 72	
7	Cap, ported, non-cushioned	C7SA	Cap, ported, cushioned		7, 69, 70, 73 & 74	
14	Gland	62	Gland cartridge kit		14, 40, 41, 43 & 45	
15	Cylinder body	-	-		-	
16	Piston body, ring type	-	-		-	
17	Piston body, lipseal type	-	-		-	
18	Cushion sleeve, cushioned cylinder only	-	-		-	
19	Tie rod	-	-		-	
23	Tie rod nut	-	-		-	
27	Retainer	-	-		-	
34	Piston rod, single rod type, non-cushioned	34SA	Piston & rod assembly, single rod type — non-cushioned	16, 34 & 48	17, 34, 42 & 44	34, 118, 119, 120 & 121
35	Piston rod, single rod type, cushioned head end	35SA	Piston & rod assembly, single rod type — cush. head end	16, 18, 35 & 48	17, 18, 35, 42 & 44	35, 118, 119, 120 & 121
36	Piston rod, single rod type, cushioned cap end	36SA	Piston & rod assembly, single rod type — cush. cap end	16, 36 & 48	17, 36, 42 & 44	36, 118, 119, 120 & 121
37	Piston rod, single rod type, cushioned both ends	37SA	Piston & rod assembly, single rod type — cush. both ends	16, 18, 37 & 48	17, 18, 37, 42 & 44	37, 118, 119, 120 & 121
40	Wiperseal, gland	-	-		-	
41	Lipseal, gland	-	-		-	
42	Lipseal, piston	-	-		-	
43	Back-up washer, gland	-	-		-	
44	Back-up washer, piston	-	-		-	
45	O-ring, gland to head seal	-	-		-	
47	O-ring, cylinder body end seal	-	-		-	
48	Piston ring	-	-		-	
57	Piston rod, double rod type, non-cushioned	57SA	Piston & rod assembly, double rod type - non-cush.	16, 48, 57 & 60	17, 42, 44, 57 & 60	57, 60, 118, 119, 120 & 121
58	Piston rod, double rod type, cushioned one end	58SA	Piston & rod assembly, double rod type - cush. one end	16, 18, 48, 58 & 60	17, 18, 42, 44, 58 & 60	18, 58, 60, 118, 119, 120 & 121
59	Piston rod, double rod type, cushioned both ends	59SA	Piston & rod assembly, double rod type - cush. both ends	16, 18, 48, 58 & 61	17, 18, 42, 44, 58 & 61	18, 58, 61, 118, 119, 120 & 121
60	Piston rod extension, double rod type — non-cushioned	-	-		-	
61	Piston Rod extension, double rod type — cushioned	-	-		-	
69	O-ring, cushion adjustment & check valve screw	-	-		-	
70	Needle valve, cushion adjustment	-	-		-	
71	Ball, check valve	-	-		-	
72	Plug screw, check valve	-	-		-	
73	Cushion bushing, cap end floating check valve	-	-		-	
74	Retaining ring, floating cushion bushing	-	-		-	
75	Seal, cushion sleeve	-	-		-	
118	Piston, hi-load type	-	-		-	
119	Outer ring	-	-		-	
120	Inner ring	-	-		-	
121	Wear ring	-	-		-	

Standard Cushion Hardware Kits

Bore Size	For Head Assemblies	For Cap Assemblies	For Head Assemblies	For Cap Assemblies	For Head Assemblies	For Cap Assemblies
	Order Kits By Number Below: (Kits include Symbols 69, 70, 71 & 72 for One Head)	Order Kits By Number Below: (Kits include Symbols 69, 70, 73 & 74 for One Cap)	Order Kits By Number Below: (Kits include Symbols 69, 70, 71 & 72 for One Head)	Order Kits By Number Below: (Kits include Symbols 69, 70, 73 & 74 for One Cap)	Order Kits By Number Below: (Kits include Symbols 69, 70, 71 & 72 for One Head)	Order Kits By Number Below: (Kits include Symbols 69, 70, 73 & 74 for One Cap)
	Series 2H & 3H (7" - 8")	Series 2H & 3H (7" - 8")	Series "2A"	Series "2A"	Series "3L"	Series "3L"
1	None	None	None	None	L065090000	L065170000
1 1/2	L065100000	L045580000	L065100000	L045800000	L065100000	L045580000
2	L065100000	L045660000	L065100000	L045800000	L065100000	L045580000
2 1/2	L065110000	L045590000	L065100000	L045800000	L065100000	L045580000
3 1/4	L065110000	L045600000	L065110000	L045810000	L065110000	L045590000
4	L065110000	L045610000	L065110000	L045810000	L065110000	L045590000
5	L065110000	L045620000	L065110000	L045810000	L065110000	L045590000
6	L065120000	L045630000	L065120000	L045820000	L065120000	L045790000
7	L065120000	L045640000	L065120000	L045820000	-	-
8	L065120000	L045650000	L065120000	L045820000	L065120000	L045630000
10	-	-	L065120000	L045830000	-	-
12	-	-	L065120000	L045840000	-	-
14	-	-	L065120000	L045850000	-	-

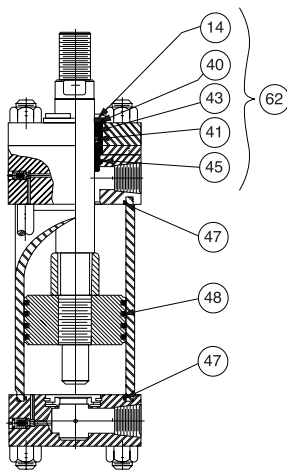
Fluorocarbon Cushion Hardware Kits *Series 2H (7" & 8") and Series 3H (7" & 8") utilize the same cushion kit. Series 3H does not require the cushion bushing, Item #73.

Bore Size	For Head Assemblies	For Cap Assemblies	For Head Assemblies	For Cap Assemblies	For Head Assemblies	For Cap Assemblies
	Order Kits By Number Below: (Kits include Symbols 69, 70, 71 & 72 for One Head)	Order Kits By Number Below: (Kits include Symbols 69, 70, 73 & 74 for One Cap)	Order Kits By Number Below: (Kits include Symbols 69, 70, 71 & 72 for One Head)	Order Kits By Number Below: (Kits include Symbols 69, 70, 73 & 74 for One Cap)	Order Kits By Number Below: (Kits include Symbols 69, 70, 71 & 72 for One Head)	Order Kits By Number Below: (Kits include Symbols 69, 70, 73 & 74 for One Cap)
	Series 2H & 3H (7" - 8")	Series 2H & 3H (7" - 8")	Series "2A"	Series "2A"	Series "3L"	Series "3L"
1	None	None	None	None	L065090000	L065170000
1 1/2	L070740001	L070750001	L070740001	L070750010	L070740001	L070750001
2	L070740001	L070750002	L070740001	L070750010	L070740001	L070750001
2 1/2	L070740002	L070750003	L070740001	L070750010	L070740001	L070750001
3 1/4	L070740002	L070750004	L070740002	L070750011	L070740002	L070750003
4	L070740002	L070750005	L070740002	L070750011	L070740002	L070750003
5	L070740002	L070750006	L070740002	L070750011	L070740002	L070750003
6	L070740003	L070750007	L070740003	L070750012	L070740003	L070750016
7	L070740003	L070750008	L070740003	L070750012	-	-
8	L070740003	L070750009	L070740003	L070750012	L070740003	L070750007
10	-	-	L070740003	L070750013	-	-
12	-	-	L070740003	L070750014	-	-
14	-	-	L070740003	L070750015	-	-

For Cylinder Division Plant Locations – See Page II.



Symbol	Description
14	Gland cartridge
40	Gland wiperseal
41	Gland lipseal
42	Piston lipseal
43	Gland back-up washer
44	Piston back-up washer
45	Gland to head o-ring
47	End seal o-ring
48	Piston ring
62	Gland cartridge kit
119	Outer ring
120	Inner ring
121	Wear ring



Seal Kits for Class 1 & 2 Service
(For Class 1 Hydraulic Service see TS-2000 Seal Kits pg. 50)

Material: Buna-N (Nitrile)

For operating temperature and fluid compatibility see Operating Fluids and Seals page in this section.

Gland and spanner wrenches are available to ease (rod) seal or gland cartridge removal without disassembly of the cylinder.

For detailed seal replacement instructions see service bulletin #0995-M1, M2 & M3.

Rod Dia.	Series 2A (Class 1 Series 3L, 2H, VH see TS-2000 page C50)			
	RG	RK	Gland Wrench	Spanner Wrench
	Gland (Sym. 62) Cartridge Kits	Rod Seal Kits		
	Contains Symbols 14, 40, 41, 43 & 45	Contains Symbols 40, 41, 43 & 45		
1/2	RG2AHL 0051	RK2AHL 0051	069590 0000	0116760000
5/8	RG2AHL 0061	RK2AHL 0061	069590 0000	011676 0000
1	RG2AHL 0101	RK2AHL 0101	069591 0000	011676 0000
1 3/8	RG2AHL 0131	RK2AHL 0131	069592 0000	011703 0000
1 3/4	RG2AHL 0171	RK2AHL 0171	069593 0000	011677 0000
2	RG2AHL 0201	RK2AHL 0201	069594 0000	011677 0000
2 1/2	RG2AHL 0251	RK2AHL 0251	069595 0000	011677 0000
3	RG2AHL 0301	RK2AHL 0301	069596 0000	011677 0000
3 1/2	RG2AHL 0351	RK2AHL 0351	069597 0000	011677 0000
4	RG2AHL 0401	RK2AHL 0401	069598 0000	011678 0000
4 1/2	RG2AHL 0451	RK2AHL 0451	083877 0000	011678 0000
*5	RG2AHL 0501	RK2AHL 0501	069599 0000	011678 0000
*5 1/2	RG2AHL 0551	RK2AHL 0551	069600 0000	011678 0000

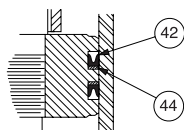
*RG & RK kits listed are not applicable to 10" & 12" bore series 2H cylinders. See bulletin 0995-M4.

Piston Seal Options

Ring Type Piston

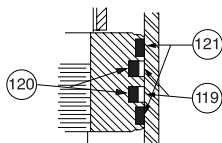
(as shown above)
 Supplied as standard on series 2H, 3L & VH hydraulic cylinders.

Lipseal Type Piston



Supplied as standard on series 2A air cylinders.
 Optional for series 2H, 3L & VH hydraulic cylinders.

Hi-Load Type Piston



Optional on series 2H & VH hydraulic cylinders. Not available on series 2A & 3L cylinders.

Bore Size	PK/Piston Seal Kits	PK/Piston Seal Kits	PR/Piston Ring Kits	Hi-Load Piston Seal Kits
	Series 2A Only Contains 2 Ea. Symbols: 42, 44 & 47	Series 2HL, 3LL & VHL Contains 2 Ea. Symbols: 42, 44 & 47	Series 2H, 3L & VH Contains 2 Ea. Sym. 47 & 4 Symbol 48	Series 2H & VH Contains 2 Ea. Symbols 47, 119, 120 & 121
1	PK1002A001	PK102HLL01	PR102H0001	-
1 1/2	PK1502A001	PK152HLL01	PR152H0001	PK152HK001
2	PK2002A001	PK202HLL01	PR202H0001	PK202HK001
2 1/2	PK2502A001	PK252HLL01	PR252H0001	PK252HK001
3 1/4	PK3202A001	PK322HLL01	PR322H0001	PK322HK001
4	PK4002A001	PK402HLL01	PR402H0001	PK402HK001
5	PK5002A001	PK502HLL01	PR502H0001	PK502HK001
6	PK6002A001	PK602HLL01	PR602H0001	PK602HK001
7	PK7002A001	PK702HLL01	PR702H0001	PK702HK001
8	PK8002A001	PK802HLL01	PR802H0001	PK802HK001
10	PK9002A001	PK902HLL01	PR902H0001	PK902HK001
12	PK9202A001	PK922HLL01	PR922H0001	PK922HK001
14	PK9402A001	-	-	-

Bore Size	CB Cylinder Body Seal Kits		Tie Rod Torque Specifications*			
	Series 2A	Series 2H, 3L & VH	Series 2A & 3L			Series 2H & VH
	Contains 2 Ea. Symbol 47	Contains 2 Ea. Symbol 47	Cylinder Body Material			Steel
			Brass	Steel	Fiberglass	
1	CB102HL001	CB102HL001	12 in.-lbs. 14 cm-kg	35 in.-lbs. 41 cm-kg	-	-
1-1/2	CB152HL001	CB152HL001	36 in.-lbs. 42 cm-kg	60 in.-lbs. 69 cm-kg	-	18 ft.-lbs. 24 N.m
2	CB202HL001	CB202HL001	72 in.-lbs. 83 cm-kg	11 ft.-lbs. 15 N.m	-	45 ft.-lbs. 61 N.m
2-1/2	CB252HL001	CB252HL001	72 in.-lbs. 83 cm-kg	11 ft.-lbs. 15 N.m	-	45 ft.-lbs. 61 N.m
3-1/4	CB322A0001	CB322HL001	18 ft.-lbs. 24 N.m	25 ft.-lbs. 34 N.m	-	120 ft.-lbs. 163 N.m
4	CB402A0001	CB402HL001	18 ft.-lbs. 24 N.m	25 ft.-lbs. 34 N.m	-	131 ft.-lbs. 178 N.m
5	CB502A0001	CB502HL001	44 ft.-lbs. 50 N.m	60 ft.-lbs. 81 N.m	-	312 ft.-lbs. 423 N.m
6	CB602A0001	CB602HL001	44 ft.-lbs. 50 N.m	60 ft.-lbs. 81 N.m	-	528 ft.-lbs. 716 N.m
7	CB702A0001	CB702HL001	-	90 ft.-lbs. 122 N.m	-	800 ft.-lbs. 1085 N.m
8	CB802A0001	CB802HL001	80 ft.-lbs. 108 N.m	110 ft.-lbs. 149 N.m	-	1168 ft.-lbs. 1584 N.m
10	CB902A0001	CB902HL001	113 ft.-lbs. 153 N.m	148 ft.-lbs. 201 N.m	78 (ft. lbs.) 106 N.m	-
12	CB922A0001	CB922HL001	148 ft.-lbs. 201 N.m	172 ft.-lbs. 233 N.m	78 (ft. lbs.) 106 N.m	-
14	-	-	228 ft.-lbs. 309 N.m	275 ft.-lbs. 373 N.m	118 (ft. lbs.) 160 N.m	-

*(-0%, +5% tolerance). When assembling the cylinder, be sure to torque the tie rods evenly.

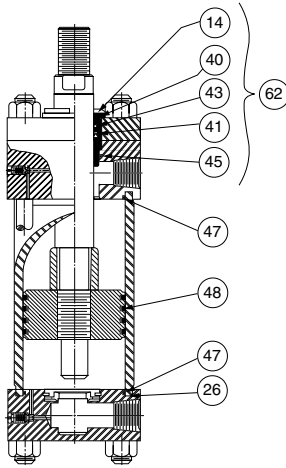
How to order – individual seals contained in the kits are available separately – however we recommend purchasing complete kits because of the convenience & lower replacement cost. When ordering seal kits give part number listed above. To be sure of exact replacement, give serial number of cylinder when ordering replacement kits or seals.

For additional information – call your local Parker Cylinder Distributor.

Series 2A, 2H, 3L, VH Cylinders

Parts Identification Seal Kits Group 5 Service

Symbol	Description
14	Gland cartridge
40	Gland wiperseal
41	Gland lipseal
42	Piston lipseal
43	Gland back-up washer
44	Piston back-up washer
45	Gland to head o-ring
47	End seal o-ring
48	Piston ring
62	Gland cartridge kit
119	Outer ring
120	Inner ring
121	Wear ring



Seal Kits for Class 5 Service

Material: Fluorocarbon

For operating temperature and fluid compatibility see Section C.

Gland and spanner wrenches are available to ease (rod) seal or gland cartridge removal without disassembly of the cylinder.

For detailed seal replacement instructions see service bulletin #0995-M1, M3 & M5.

Rod Dia.	Series 2A, 2H, 3L & VH Cylinders			
	RG	RK	Gland Wrench	Spanner Wrench
	Gland (Sym. 62) Cartridge Kits	Rod Seal Kits		
	Contains Symbols 14, 40, 41, 43 & 45	Contains Symbols 40, 41, 43 & 45		
1/2	RG2AHL 0055	RK2AHL 0055	069590 0000	011676 0000
5/8	RG2AHL 0065	RK2AHL 0065	069590 0000	011676 0000
1	RG2AHL 0105	RK2AHL 0105	069591 0000	011676 0000
1 3/8	RG2AHL 0135	RK2AHL 0135	069592 0000	011703 0000
1 3/4	RG2AHL 0175	RK2AHL 0175	069593 0000	011677 0000
2	RG2AHL 0205	RK2AHL 0205	069594 0000	011677 0000
2 1/2	RG2AHL 0255	RK2AHL 0255	069595 0000	011677 0000
3	RG2AHL 0305	RK2AHL 0305	069596 0000	011677 0000
3 1/2	RG2AHL 0355	RK2AHL 0355	069597 0000	011677 0000
4	RG2AHL 0405	RK2AHL 0405	069598 0000	011678 0000
4 1/2	RG2AHL 0455	RK2AHL 0455	083877 0000	011678 0000
*5	RG2AHL 0505	RK2AHL 0505	069599 0000	011678 0000
*5 1/2	RG2AHL 0555	RK2AHL 0555	069600 0000	011678 0000

*RG & RK kits listed are not applicable to 10" & 12" bore series 2H cylinders. See bulletin 0995-M4.

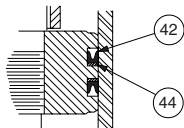
Bore Size	PK/Piston Seal Kits	PK/Piston Seal Kits	PR/Piston Ring Kits	Hi-Load Piston Seal Kits
	Series 2A Only Contains 2 Ea. Symbols: 42 & 47	Series 2HL, 3LL & VHL Contains 2 Ea. Symbols: 42, 44 & 47	Series 2H, 3L & VH Contains 2 Ea. Sym. 47 & 4 Symbol 48	Series 2H & VH Contains 2 Ea. Symbols 47, 119, 120 & 121
1	PK1002A005	PK102HLL05	PR102H0005	-
1 1/2	PK1502A005	PK152HLL05	PR152H0005	PK152HK005
2	PK2002A005	PK202HLL05	PR202H0005	PK202HK005
2 1/2	PK2502A005	PK252HLL05	PR252H0005	PK252HK005
3 1/4	PK3202A005	PK322HLL05	PR322H0005	PK322HK005
4	PK4002A005	PK402HLL05	PR402H0005	PK402HK005
5	PK5002A005	PK502HLL05	PR502H0005	PK502HK005
6	PK6002A005	PK602HLL05	PR602H0005	PK602HK005
7	PK7002A005	PK702HLL05	PR702H0005	PK702HK005
8	PK8002A005	PK802HLL05	PR802H0005	PK802HK005
10	PK9002A005	PK902HLL05	PR902H0005	PK902HK005
12	PK9202A005	PK922HLL05	PR922H0005	PK922HK005
14	PK9402A005	-	-	-

Piston Seal Options

Ring Type Piston

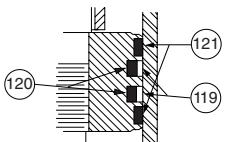
(as shown above)
Supplied as standard on series 2H, 3L & VH hydraulic cylinders.

Lipseal Type Piston



Supplied as standard on series 2A air cylinders
Less symbol #44. Optional for series 2H, 3L & VH hydraulic cylinders.

Hi-Load Type Piston



Optional on series 2H & VH hydraulic cylinders. Not available on series 2A & 3L cylinders.

BORE SIZE	CB CYLINDER BODY SEAL KITS		TIE ROD TORQUE SPECIFICATIONS*			
	SERIES 2A CONTAINS 2 EA. SYMBOL 47	SERIES 2H, 3L & VH CONTAINS 2 EA. SYMBOL 47	SERIES 2A & 3L CYLINDER BODY MATERIAL			SERIES 2H & VH
			BRASS	STEEL	FIBERGLASS	STEEL
1	CB102HL005	CB102HL005	12 in.-lbs. 14 cm-kp	35 in.-lbs. 41 cm-kp	-	-
1-1/2	CB152HL005	CB152HL005	36 in.-lbs. 42 cm-kp	60 in.-lbs. 69 cm-kp	-	18 ft.-lbs. 24 N.m
2	CB202HL005	CB202HL005	72 in.-lbs. 83 cm-kp	11 ft.-lbs. 15 N.m	-	45 ft.-lbs. 61 N.m
2-1/2	CB252HL005	CB252HL005	72 in.-lbs. 83 cm-kp	11 ft.-lbs. 15 N.m	-	45 ft.-lbs. 61 N.m
3-1/4		CB322HL005	18 ft.-lbs. 24 N.m	25 ft.-lbs. 34 N.m	-	120 ft.-lbs. 163 N.m
4		CB402HL005	18 ft.-lbs. 24 N.m	25 ft.-lbs. 34 N.m	-	131 ft.-lbs. 178 N.m
5		CB502HL005	44 ft.-lbs. 50 N.m	60 ft.-lbs. 81 N.m	-	312 ft.-lbs. 423 N.m
6		CB602HL005	44 ft.-lbs. 50 N.m	60 ft.-lbs. 81 N.m	-	528 ft.-lbs. 716 N.m
7		CB702HL005	-	90 ft.-lbs. 122 N.m	-	800 ft.-lbs. 1085 N.m
8		CB802HL005	80 ft.-lbs. 108 N.m	110 ft.-lbs. 149 N.m	-	1168 ft.-lbs. 1584 N.m
10		CB902HL005	113 ft.-lbs. 153 N.m	148 ft.-lbs. 201 N.m	78 (ft. lbs.) 106 N.m	-
12		CB922HL005	148 ft.-lbs. 201 N.m	172 ft.-lbs. 233 N.m	78 (ft. lbs.) 106 N.m	-
14		-	228 ft.-lbs. 309 N.m	275 ft.-lbs. 373 N.m	118 (ft. lbs.) 160 N.m	-

*(-0%, +5% tolerance). When assembling the cylinder, be sure to torque the tie rods evenly.

For use with High Water Content Fluids.

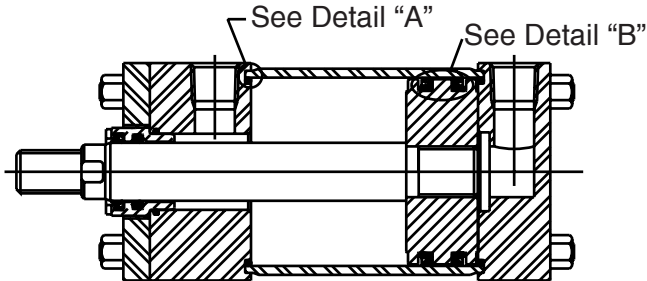
Class 6 Service: kit numbers listed above identify Class 5 seals only. To order with Class 6 seals (HWCF) substitute "6" for "5" as last digit of part number.

How to order – individual seals contained in the kits are available separately – however we recommend purchasing complete kits because of the convenience & lower replacement cost. When ordering seal kits give part number listed above. To be sure of exact replacement, give serial number of cylinder when ordering replacement kits or seals.

For Cylinder Division Plant Locations – See Page II.

Piston and Cylinder Body Seals

For Series "2AN" and
"MAN" Air Cylinders



Piston Seal Kits

PK kits for Series 2AN and MAN cylinders contain 2 each of the following:

- symbol 42, Lipseal, piston
- symbol 47, O-ring, cylinder body to head and cap seal
- symbol 129, wick } 14" bore only (Style 2)
- symbol 130, washer }

Cylinder Body Seal Kits

CB kits for Series 2AN and MAN Air cylinders contain 2 each of:

- symbol 47, O-rings

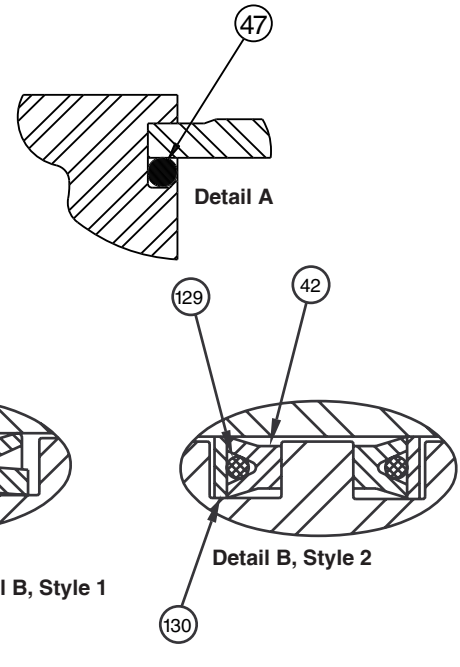
Service kits of expendable parts of fluid power cylinders are stocked in principal industrial locations across the U.S.A. and other countries.

For prompt delivery and complete information, contact your nearest distributor.

Service kits contain seals of Nitrile (Buna-N) elastomers for standard fluid service. These seals are suitable for use when air is the operating medium.

The recommended operating temperature range for these seals is -10° F. to +165° F.

Bore Size	PK Piston Seal Kit No. For Series 2AN & MAN Cylinders	CB Cylinder Body Seal Kit For Series 2AN and MAN
1 1/2"	PK1502 AN01	CB152H L001
2"	PK2002 AN01	CB202H L001
2 1/2"	PK2502 AN01	CB252H L001
3 1/4"	PK3202 AN01	CB322A 0001
4"	PK4002 AN01	CB402A 0001
5"	PK5002 AN01	CB502A 0001
6"	PK6002 AN01	CB602A 0001
7"	PK7002 AN01	CB702A 0001
8"	PK8002 AN01	CB802A 0001
10"	PK9002 AN01	CB902A 0001
12"	PK9202 AN01	CB922A 0001
14"	PK9402 AN01	CB942A 0001



Parker Lube-A-Cyl...

is recommended for use in air cylinders during normal operation, and particularly when servicing and re-assembling cylinders. It is a multi-purpose lubricant in grease form, that provides lubrication without deteriorating effects on synthetic seals. Particularly recommended for use in low pressure air cylinders because of its special ability to adhere to metal surfaces. It produces a thin film which will not blow out with exhaust air. It provides piston, rod and seal lubrication, and has excellent resistance to water and mechanical breakdown with temperature range of -10°F (-23°C) to +350°F (+177°C). Lube-A-Cyl is packaged in 4-oz. tubes, a sufficient quantity for average size air cylinder. One application should last for a period of from 6 to 18 months, depending upon service. Lube-A-Cyl is available in 1-1/2 oz. tubes. Order by part #0761630000.

Rod Dia.	Gland Cartridge Wrenches Part No.	Spanner Wrenches Part No.
5/8"	069590 0000	011676 0000
1"	069591 0000	011676 0000
1 3/8"	069592 0000	011703 0000
1 3/4"	069593 0000	011677 0000
2"	069594 0000	011677 0000
2 1/2"	069595 0000	011677 0000
3 1/2"	069597 0000	011677 0000
4"	069598 0000	011678 0000
4 1/2"	083877 0000	011678 0000
5"	069599 0000	011678 0000
5 1/2"	069600 0000	011678 0000

For additional information – call your local Parker Cylinder Distributor.

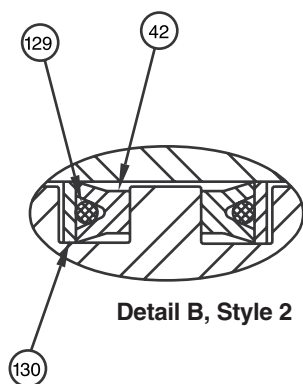
Servicing The Piston Seals

The piston is sealed and securely locked to the piston rod with anaerobic adhesive. This threaded connection should only be disassembled or reassembled by factory trained personnel.

Disassemble the cylinder completely, remove the old seals and clean all of the parts. The cylinder bore and the piston should then be examined for evidence of scoring. Replace all damaged parts. Lubricate the **entire** interior surface of the cylinder bore with a thin film of "Lube-A-Cyl" grease.

Install one piston seal in the groove nearest the rod. The two "lips" of this Lipseal should face toward the rod end of the piston.

In addition on 14" bores only, thoroughly soak both sets of wicks and washers in standard petroleum base lubricating oil, Union Oil "UN-ax-AW-315" or equivalent. Install the flat washer, symbol 130 and wick symbol 129 on the side facing pressure. See Detail B, Style 2.



Detail B, Style 2

Apply "Lube-A-Cyl" to the outside diameter of the piston and seal. Then insert the piston in the cylinder body as shown in Figure 1. Next, turn the cylinder body on its side and push the piston through the barrel just far enough to expose the groove for the second seal (See Figure 2 below). Be careful not to move the

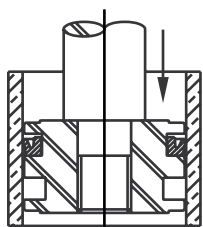


Figure 1

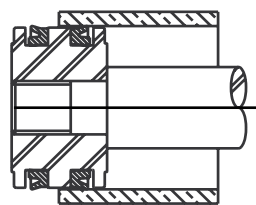


Figure 2

Retainer Bolt Torque* For Cylinders with Round or Small Square Gland Retainer

Screw Size	Torque	Torque
#10	15 in.-lbs.	17 cm-kg
1/4"	60 in.-lbs.	69 cm-kg
5/16"	10 ft.-lbs.	14 N.m
3/8"	20 ft.-lbs.	27 N.m
7/16"	35 ft.-lbs.	48 N.m

*-0%, +5% tolerance.

piston too far so as to expose the first seal. If this is done, the "lip" of this Lipseal may slip past the cylinder body and be damaged when the piston is pulled back into the cylinder body. If the piston should move too far, pass the piston rod completely through the cylinder body and again start the piston from the original end. Install the second lipseal (and wicks and washers, if required), in the exposed grooves as shown in Figure 2. Lubricate the same as the first seal and pull the piston into the cylinder body. Proceed to assemble cylinder heads, tie rods and tie rod nuts as follows:

"O" rings (symbol 47) should be lightly coated with lubricant then worked into place by hand. Cylinder body can then be assembled to the cap by rocking it down over the seal until the end of the cylinder body is in metal-to-metal contact with the cap. Install "O" ring (symbol 47) in head. Head is then fitted over the rod and assembled to cylinder body. Rock gently into place until body and head are in metal-to-metal contact.

Next, screw gland part way into gland retainer and slip both gland and retainer over the end of the rod. Tighten entire assembly, torquing tie rod nuts to the values specified. Finally, using a gland wrench, firmly seat the gland.

With an intermediate trunnion mounted cylinder, care must be taken to prevent binding the cylinder body when repositioning the trunnion collar. Proper reassembly of this type of cylinder is as follows:

After the piston seals have been inserted and the piston is in the cylinder body, slip the trunnion collar over the cylinder body to its approximate position.

Fit the cap with its seal onto the body. Then "stud" into the trunnion collar the four tie rods that connect the cap to the trunnion collar. Bring up the four tie rod nuts at the cap. Distances from the inner face of cap to finished face of trunnion collar should then be made equal at all four tie rods when all four tie rod nuts are in contact with the cap.

Finally, when the assembly is ready for final tightening, it may be necessary to adjust the tie rod nuts at the cap when torquing the tie rod nuts at the head in order to position the trunnion collar in its final position.

NOTE: An extreme pressure lubricant (such as molybdenum disulphate) should be used on the tie rod threads and nut bearing faces to control friction and reduce tie rod twist. Tie rod twist can be eliminated by chalking a straight line on each tie rod before torquing, and backing off the nut after torquing so this line is straight again. This is particularly important on long-stroke cylinders.

Tie Rod Torque* – Series 2AN, MAN

Cylinder Bore Size	Cylinder Body Material					
	Steel		Brass		Fiberglass	
1 1/2"	60 in.-lbs.	69 cm-kg	36 in.-lbs.	42 cm-kg	–	–
2" & 2 1/2"	11 ft.-lbs.	15 N-m	72 in.-lbs.	83 cm-kg	–	–
3 1/4"	25 ft.-lbs.	34 N-m	18 ft.-lbs.	24 N-m	–	–
4"	25 ft.-lbs.	34 N-m	18 ft.-lbs.	24 N-m	–	–
5"	60 ft.-lbs.	81 N-m	44 ft.-lbs.	50 N-m	–	–
6"	60 ft.-lbs.	81 N-m	44 ft.-lbs.	50 N-m	–	–
8"	110 ft.-lbs.	149 N-m	80 ft.-lbs.	108 N-m	–	–
10"	148 ft.-lbs.	201 N-m	113 ft.-lbs.	153 N-m	78 ft.-lbs.	106 (N-m)
12"	172 ft.-lbs.	233 N-m	148 ft.-lbs.	201 N-m	78 ft.-lbs.	106 (N-m)
14"	275 ft.-lbs.	373 N-m	228 ft.-lbs.	309 N-m	118 ft.-lbs.	160 (N-m)

*(-0%, +5% tolerance)

When assembling the cylinder, be sure to torque the tie rods evenly.

Gland Cartridges & Rod Seals

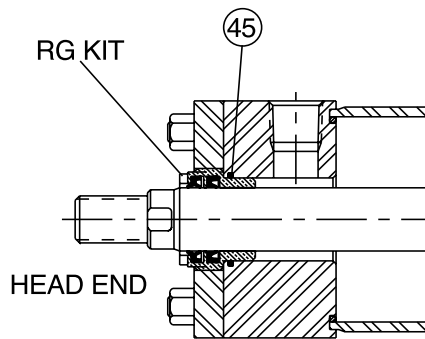
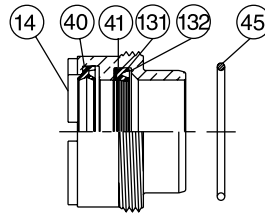
For Series "2AN" Air Cylinders

Gland Cartridge Kit

RG kit contains 1 each of the following:
 symbol 14, gland, threaded cartridge type
 symbol 40, rod Wiperseal
 symbol 41, rod Lipseal
 symbol 45, O-ring, gland to head seal
 symbol 131, wick } 3" to 5 1/2"
 symbol 132, washer } rods only

Service kits of expendable parts for fluid power cylinders are stocked in principal industrial locations across the U.S.A. and other countries. For prompt delivery and complete information, contact your nearest distributor or Parker Hannifin office.

Service kits of expendable parts for fluid power cylinders are available for Class 1 fluid service.



Rod Seal Kit

RK kit contains 1 each of the following:
 symbol 40, rod Wiperseal
 symbol 41, rod Lipseal
 symbol 45, O-ring, gland to head seal
 symbol 131, wick } 3" to 5 1/2"
 symbol 132, washer } rods only

Standard Seals – Class 1 Service Kits are standard, and contain seals of Nitrile (Buna-N) elastomers. These seals are suitable for use when air is in the operating medium.

The recommended operating temperature range for Class 1 seals is -10°F to +165°F. These seals will function at temperatures up to 200°F with reduced life.

Bore Size	RG Gland Cartridge Kit No.	RK Rod Seal Kit No.
	Includes RK Kit	Contains Rod Seals
5/8"	RG2AN00061	RK2AN00061
1"	RG2AN00101	RK2AN00101
1 3/8"	RG2AN00131	RK2AN00131
1 3/4"	RG2AN00171	RK2AN00171
2"	RG2AN00201	RK2AN00201
2 1/2"	RG2AN00251	RK2AN00251
3"	RG2AN00301	RK2AN00301
3 1/2"	RG2AN00351	RK2AN00351
4"	RG2AN00401	RK2AN00401
4 1/2"	RG2AN00451	RK2AN00451
5"	RG2AN00501	RK2AN00501
5 1/2"	RG2AN00551	RK2AN00551

Retainer Bolt Torque* For Cylinders with Round or Small Square Gland Retainer

Screw Size	Torque	Torque
#10	15 in.-lbs.	17 cm-kg
1/4"	60 in.-lbs.	69 cm-kg
5/16"	10 ft.-lbs.	14 N-m
3/8"	20 ft.-lbs.	27 N-m
7/16"	35 ft.-lbs.	48 N-m

*-0%, +5% tolerance.

Tie Rod Torque* – Series 2AN

Cylinder Bore Size	Cylinder Body Material					
	Steel		Brass		Fiberglass	
1 1/2"	60 in.-lbs.	69 cm-kg	36 in.-lbs.	42 cm-kg	-	-
2" & 2 1/2"	11 ft.-lbs.	15 N-m	72 in.-lbs.	83 cm-kg	-	-
3 1/4"	25 ft.-lbs.	34 N-m	18 ft.-lbs.	24 N-m	-	-
4"	25 ft.-lbs.	34 N-m	18 ft.-lbs.	24 N-m	-	-
5"	60 ft.-lbs.	81 N-m	44 ft.-lbs.	50 N-m	-	-
6"	60 ft.-lbs.	81 N-m	44 ft.-lbs.	50 N-m	-	-
8"	110 ft.-lbs.	149 N-m	80 ft.-lbs.	108 N-m	-	-
10"	148 ft.-lbs.	201 N-m	113 ft.-lbs.	153 N-m	78 ft.-lbs.	106 (N-m)
12"	172 ft.-lbs.	233 N-m	148 ft.-lbs.	201 N-m	78 ft.-lbs.	106 (N-m)
14"	275 ft.-lbs.	373 N-m	228 ft.-lbs.	309 N-m	118 ft.-lbs.	160 (N-m)

*(-0%, +5% tolerance)

When assembling the cylinder, be sure to torque the tie rods evenly.

For additional information – call your local Parker Cylinder Distributor.

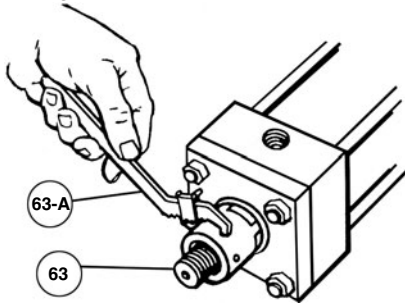
How To Replace Cylinder Gland Packing

Fluid leakage around piston rod at the gland area will normally indicate a need to replace gland seals. First, remove cylinder from machine to which it is mounted or, if this is not feasible, disconnect the piston rod from rod clevis, knuckle or machine member to which it is fastened.

The Parker Hannifin gland is a unique cartridge design. It is threaded into the gland retainer plate, and all sizes are removable without disturbing the tie rod torque.

To remove the gland:

- Inspect the piston rod to make sure it is free of burrs or other displaced metal which would prevent sliding the gland off the rod.
- Unscrew the gland (right-hand thread) from the gland retainer plate. Or on 8" bore or larger air cylinders remove the bolted gland retainer by loosening the 4 socket headscrews. The gland protrudes from the face of the retainer and can be removed with vise grip pliers. Or use a Parker Hannifin gland wrench which is available for each gland size.



- Lubricate the rod with Lube-A-cyl.
- Slide the gland off of the piston rod and remove the seals, wicks and washers, if present. Thoroughly clean the gland and seal grooves. Inspect gland bore for wear. If bore is worn, replace – using gland cartridge kit of proper size. (See opposite side.)
- If gland is not worn, replace seals only, using rod seal kit, with Lube-A-Cyl. Lubricate gland seal grooves and all new seals. Install wiperseal, Sym. 40, in groove closest to end of gland. Install lipseal, Sym. 41, on seal groove. Lips of seals should point toward the long bearing side of gland.

For 3" to 5 1/2" rod sizes:

If gland is not worn, replace seals only, using rod seal kit containing seals for proper size (see opposite side). Lubricate gland seal grooves and all new seals. Install wiperseal, Sym. 40, in groove closest to end of gland. Install lipseal, Sym. 41, in seal groove.

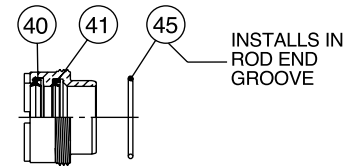
Lips of seal should point toward the long bearing side of gland. Install wick, Sym. 131, and washer, Sym. 132. Immerse gland assembly in standard petroleum lubricating oil "Union Oil" UN-ax-AW-315 or equivalent to soak wicks.

- An O-ring, Sym. 45, is supplied with each gland cartridge kit. It serves as a seal between the gland and the head. This O-ring is a static seal and does not normally require replacement. The original O-ring may be left in place, unless it is known to be leaking.

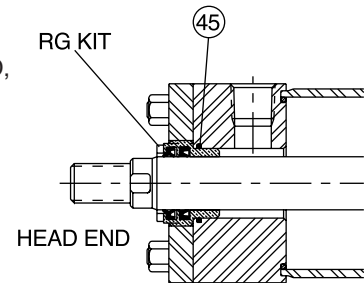
Installation

Before installing a new gland, inspect the surface of the piston rod for scratches, burrs, dents or other damage. A damaged piston rod surface will result in premature rod seal failure.

Lubricate the bore of the gland and the seals with Parker "Lube-A-Cyl," and slide the gland over the end of the piston rod. Thread the gland into the retainer until it is seated firmly against the head. The gland-to-head O-ring, Sym. 45, serves as a torque prevailing lock.



THE SEALS ARE PRESSURE ACTUATED, SO NO FURTHER ADJUSTMENTS ARE NECESSARY.



When replacing a gland on a rod which is threaded to the full diameter or so shaped that it could damage the seals, a slight rotary motion of the gland will help prevent damage. In addition, because full-diameter threads are usually supplied with the crest of the threads slightly truncated, a piece of shim stock or other thin, tough material can be wrapped around the threads to help protect the gland seals when they are being passed over the threads.

Gland Cartridge Wrenches

Parker's exclusive gland cartridge design makes gland replacement only a minute's work...and the Gland Cartridge Wrench Set makes it even simpler. A specially designed face-type gland wrench with flared lugs slips into an exact, sure fit on the gland, while a self-locking spanner wrench grips the gland wrench securely. No fumbling for adjustment – no accidental scoring of the piston rod, the job is done quickly...easily...safely.

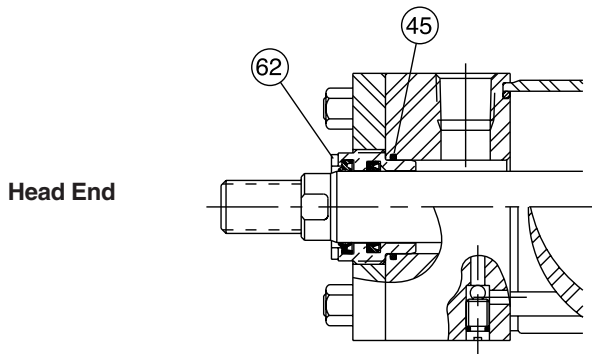
You can order the Cartridge Wrench or Spanner Wrench to fit the piston rod size used in your Parker Hannifin Cylinder.

See chart below.

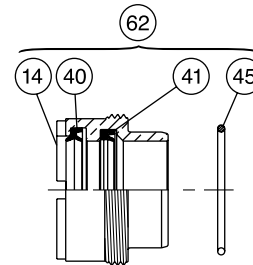
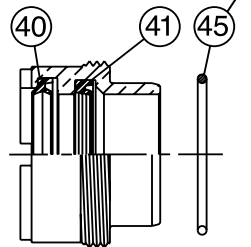
Rod Diameter	Gland Wrench (Symbol 63)	Spanner Wrench (Symbol 63-A)
5/8"	069590 0000	011676 0000
1"	060591 0000	
1 3/8"	069592 0000	011703 0000
1 3/4"	069593 0000	
2"	069594 0000	011677 0000
2 1/2"	069595 0000	
3"	069596 0000	011677 0000
3 1/2"	069597 0000	
4"	069598 0000	011678 0000
4 1/2"	083777 0000	
5"	069599 0000	
5 1/2"	069600 0000	

TS-2000 Gland Seal Kits for Hydraulic Cylinders

(Gland Cartridges & Rod Seals, including TS-2000 Rod Seals) For Series H, 2H, 7" & 8" Bore 3H, VH, L, 2L & 3L Hydraulic Cylinders



Installs in Rod End
Head Groove



Gland Cartridge Kit

RG kit (symbol 62) contains 1 each of the following:
symbol 14, gland, threaded cartridge type
symbol 40, rod Wiperseal
symbol 41, rod Lipseal
symbol 45, O-ring gland to head seal

Rod Seal Kit

RK kit contains 1 each of the following:
symbol 40, rod Wiperseal
symbol 41, rod Lipseal
symbol 45, O-ring gland to head seal

Service kits of expendable parts for hydraulic cylinders are stocked in principal industrial locations across the U.S.A. and other countries. For prompt delivery and complete information, contact your nearest Parker Hannifin distributor or office.

Standard Seals – Class 1 Service Kits are standard, and contain polyurethane and Buna-N seals for standard hydraulic service. These seals are suitable for use when hydraulic (mineral-type) oil is the operating medium. The recommended operating temperature range for Class 1 seals is -10°F (-23°C) to +165°F (+74°C).

The seals contained in these kits are supplied as standard on all Series 2H,* VH, 3L and 7" and 8" bore 3H cylinders manufactured after Sept. 30, 1990 for Class 1 hydraulic (mineral) oil service.

The seals contained in these kits are interchangeable for hydraulic (mineral) oil service on all Series H,* 2H,* VH, L, 2L and 3L cylinders manufactured prior to Sept. 30, 1990.

Class 1 Hydraulic Service Only*

Rod. Dia.	Gland Cartridge Kits (Sym. #62)	Rod Seal Kits
	Class 1 (Std.) Buna-N (Nitrile) & Polyurethane	Class 1 (Std.) Buna-N (Nitrile) & Polyurethane
1/2"	RG2HLTS051	RK2HLTS051
5/8"	RG2HLTS061	RK2HLTS061
1"	RG2HLTS101	RK2HLTS101
1 3/8"	RG2HLTS131	RK2HLTS131
1 3/4"	RG2HLTS171	RK2HLTS171
2"	RG2HLTS201	RK2HLTS201
2 1/2"	RG2HLTS251	RK2HLTS251
3"	RG2HLTS301	RK2HLTS301
3 1/2"	RG2HLTS351	RK2HLTS351
4"	RG2HLTS401	RK2HLTS401
4 1/2"	RG2HLTS451	RK2HLTS451
5"	RG2HLTS501	RK2HLTS501
5 1/2"	RG2HLTS551	RK2HLTS551

*The kits listed above do not fit 10" & 12" bore Series H & 2H Hydraulic Cylinders. See Bulletin #0995-M4.

For additional information – call your local Parker Cylinder Distributor.

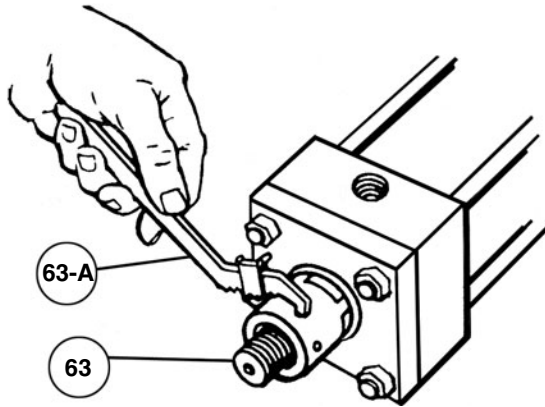
How To Replace Cylinder Gland Packing

Fluid leakage around piston rod at the gland area will normally indicate a need to replace gland seals. First, remove cylinder from machine to which it is mounted or, if this is not feasible, disconnect the piston rod from rod clevis, knuckle or machine member to which it is fastened.

The Parker Hannifin "Jewel" gland is a unique cartridge design consisting of a bronze gland, primary lipseal and double lip wiperseal. It is threaded into the gland retainer plate, and all sizes are removable without disturbing the tie rod torque.

To remove the gland:

- Inspect the piston rod to make sure it is free of burrs or other displaced metal which would prevent sliding the gland off of the rod.
- For most cylinders, unscrew the gland (right hand thread) from gland retainer plate. On 7" and 8" bore series 3H, all JJ mounting styles and 8" bore low pressure hydraulic cylinders remove the socket head cap screws securing the round or square retainer plate. The gland protrudes from the face of the retainer and can be removed with vice grip pliers. Or



- Slide the gland off of the piston rod and remove the seals. Thoroughly clean the gland and seal grooves. Inspect gland bore for wear. If bore is worn, replace – using gland cartridge (RG) kit complete with with seals.

- If gland is not worn, replace seals only using rod seal (RK) kit. Lubricate gland seal grooves and all new seals. Install wiperseal, Sym. #40, in groove closest to end of gland. Install lipseal, Sym. #41, in seal groove. **Lips of seal should point toward the long bearing side of the gland.**

- An O-ring, Sym. #45, is supplied with each gland cartridge kit. It serves as a seal between the gland and the head. This O-ring is a static seal and does not normally require replacement. The original O-ring may be left in place, unless it is known to be leaking (fluid flow around gland thread).

Retainer Bolt Torque* For Cylinders with Round or Small Square Gland Retainer

Screw Size	Torque*	
#10	15 in.-lbs.	17 cm-kg
1/4"	60 in.-lbs.	69 cm-kg
5/16"	10 ft.-lbs.	14 N.m
3/8"	20 ft.-lbs.	27 N.m
7/16"	35 ft.-lbs.	48 N.m

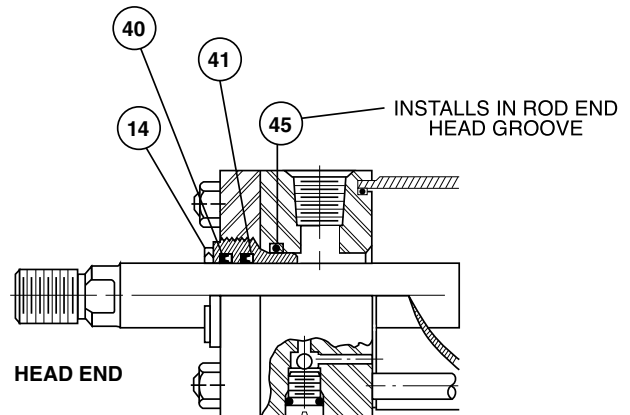
(*-0%, +5%) tolerance.

Installation

Before installing a new gland, inspect the surface of the piston rod for scratches, burrs, dents or other damage. A damaged piston rod surface will result in premature rod seal failure.

Lubricate the bore of the gland and the seals, and slide the gland over the end of the piston rod. Thread the gland into the retainer until it is sealed firmly against the head. The gland-to-head O-ring, Sym. #45, serves as a torque prevailing lock.

THE SEALS ARE PRESSURE ACTUATED, SO NO FURTHER ADJUSTMENTS ARE NECESSARY.



When replacing a gland on a rod which is threaded to the full diameter or so shaped that it could damage the seals, a slight rotary motion of the gland will help prevent damage. In addition, because full-diameter threads are usually supplied with the crest of the threads slightly truncated, a piece of shim stock or other thin, tough material can be wrapped around the threads to help protect the gland seals when they are being passed over the threads.

Tie Rod Torque*

Cylinder Bore Size	Cylinder Series			
	L - 2L - 3L		H - 2H - VH - 3H	
1"	35 in.-lbs.	41 cm-kg	–	–
1 1/2"	60 in.-lbs.	69 cm-kg	18 ft.-lbs.	24 N.m
2" & 2 1/2"	11 ft.-lbs.	15 N.m	45 ft.-lbs.	61 N.m
3 1/4"	25 ft.-lbs.	34 N.m	120 ft.-lbs.	163 N.m
4"	25 ft.-lbs.	34 N.m	131 ft.-lbs.	178 N.m
5"	60 ft.-lbs.	81 N.m	312 ft.-lbs.	423 N.m
6"	60 ft.-lbs.	81 N.m	528 ft.-lbs.	716 N.m
6"	L, 2L = 244 ft.-lbs.	L, 2L = 281 N.m	–	–
7"	90 ft.-lbs.	122 N.m	800 ft.-lbs.	1085 N.m
8"	110 ft.-lbs.	149 N.m	1168 ft.-lbs.	1584 N.m
8"	L, 2L = 513 ft.-lbs.	L, 2L = 591 N.m	–	–

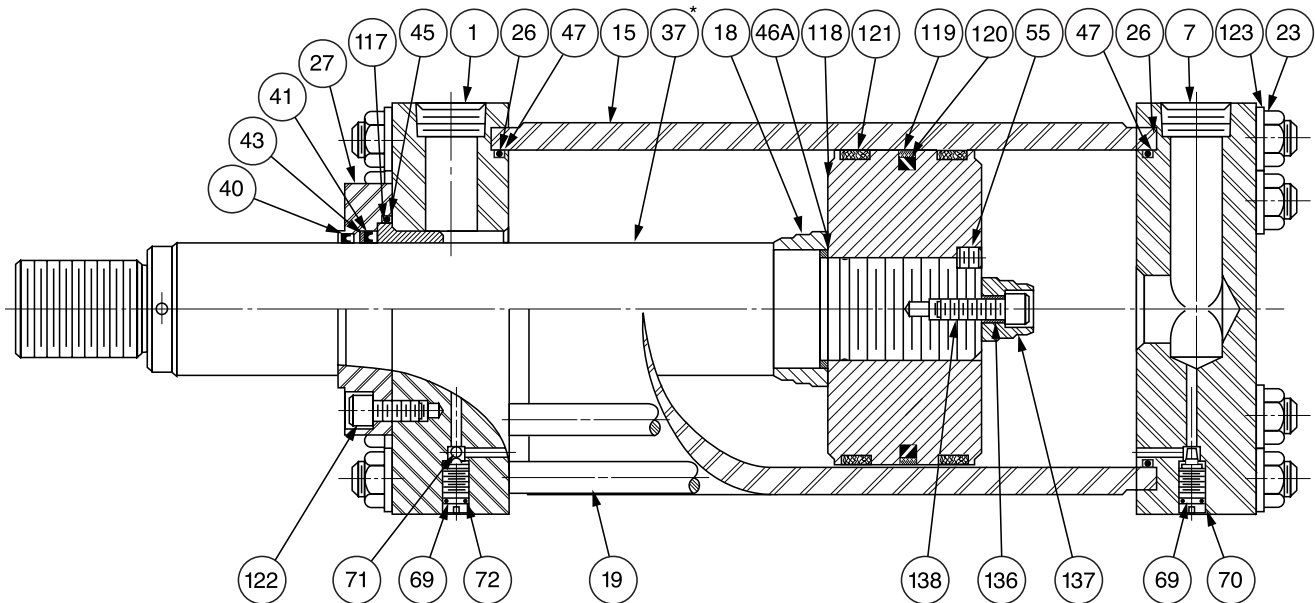
(*-0%, +5% tolerance)

When assembling the cylinder, be sure to torque the tie rods evenly.

Series 3H Large Bore High Pressure Hydraulic Cylinders

Parts Identification

Parts Identification



*OR 34, 35, 36

Sym. No.	
1	Head, Basic Style BB, DB, DD, HB &HH
2	Head, Style C
3	Head, Style E
5	Head, Style D
7	Cap, Basic Style D, DB, JB & JJ
8	Cap, Style C
9	Cap, Style E
11	Cap, Style DB
12	Cap, Style BB
15	Cylinder Body
16	Piston Body – Ring Type Piston
17	Piston Body – Lipseal
18	Cushion Sleeve
19	Tie Rod
20	Tie Rod, DD Style Head End
21	Tie Rod, DD Style Cap End
23	Tie Rod Nut – Non-Locking
26	Back-Up Washer, Cylinder Body
27	Retainer
28A	Head, Style JJ
28B	Head, Style JB
29A	Cap, Style HH
29B	Cap, Style HB
34	Piston Rod, Non Cushion
35	Piston Rod, Cushion Head
36	Piston Rod, Cushion Cap
37	Piston Rod, Cushion Both Ends
40	Wiperseal
41	Rod Seal (Polypak)
42	Lipseal, Piston

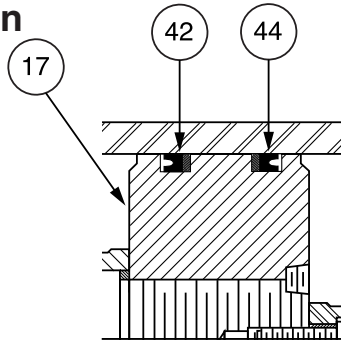
Sym. No.	
43	Back-Up Washer, Polypak
44	Back-Up Washer, Lipseal
45	O-Ring, Gland to Head
46A	Cushion Sealing Ring
47	O-Ring Cylinder Body
48	Piston Ring
55	Piston Lock Pin
57	Piston Rod – Non Cushion K-Type
58	Piston Rod, Cushion One end K-Type
59	Piston Rod, Cushion Both K-Type
60	Extension Rod, Non-Cushion K-Type
61	Extension Rod, Cushion Both Ends K-Type
66	Trunnion
67	Screws, DD Mounting
69	O-Ring, Cushion Adj. & Check Screws
70	Cushion Adjusting Needle Screw
71	Check Valve Ball
72	Check Valve Screw
86	Pivot Pin – BB Mount
87	Retaining Rings for Pivot Pin – BB Mount
117	Rod Bearing
118	Piston Body – Hi-Load
119	Outer Piston Ring
120	Inner Piston Ring
121	Wear Ring
122	Retainer Bolt
123	Washer, Tie Rod Nut
136	Spacer, Cushion
137	Cushion Spear, Detachable
138	Bolt, Cushion Spear

For additional information – call your local Parker Cylinder Distributor.

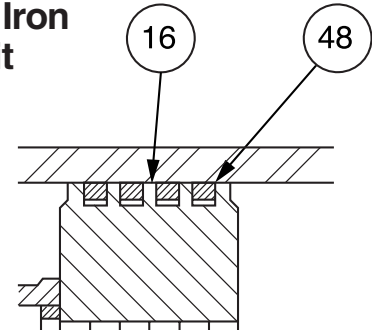
Series 3H Large Bore High Pressure Hydraulic Cylinders

Parts Identification Seal Kits

Optional Piston Lipseal Kit



Optional Cast Iron Piston Ring Kit



Operating fluids and temperature range – Fluidpower cylinders are designed for use with pressurized air, hydraulic oil and fire resistant fluids, in some cases special seals are required.

Buna-N

Buna-N seals are supplied on all standard pneumatic and hydraulic cylinders. They are suitable for use with pressured air, nitrogen, hydraulic oil, water-in oil emulsions or water glycol fluids. The recommended operating temperature range for Buna-N seals is -10°F. (-23°C.) to +165°F (+74°C.).

Fluorocarbon seals

Fluorocarbon seals can be supplied, on request, and are especially suitable for some fire resistant fluids as shown in the table in Section C, page 105 or for elevated temperature service.

When using Fluorocarbon seals for high temperature service or fluid compatibility within a temperature range of -10°F. (-23°C) to +250°F. (+121°C) specify Class 5 seals.

For elevated temperature service above +250°F. (+121°C) specify Class 5 seals plus a non-studded piston rod end thread and a pinned piston to rod connection. This recommendation should also be followed when ordering spare piston and rod assemblies. Class 5 seals can operate up to a maximum of +400°F. (+204°C) with reduced service life.

The piston rod stud and the piston rod to piston threaded connections are secured with an anaerobic adhesive which is temperature sensitive. Cylinders ordered with Fluorocarbon seals are assembled with anaerobic adhesive having a maximum operating temperature rating of +250°F. (+121°C). Cylinders ordered with all other seal compounds are assembled with anaerobic adhesive having a maximum operating temperature rating of +165°F. (+74°C). These temperature limitations must be strictly followed to prevent loosening of the threaded connections. When cylinders are intended to be used above +250°F. (+121°C) specify a non-studded piston rod end thread and a pinned piston to rod connection.

Bore	Rod Dia.	Rod Seal Kits		Rod Seal Kits Including Bearing	
		Contains Symbol 40,41,43,45		Contains Symbol 40,41,43,45 & 117	
		Group 1 Kit No.	Group 5 Kit No.	Group 1 Kit No.	Group 5 Kit No.
10	4 1/2"	RK3H000451	RK3H000455	RG3H000451	RG3H000455
	7"	RK3H000701	RK3H000705	RG3H000701	RG3H000705
	5"	RK3H000501	RK3H000505	RG3H000501	RG3H000505
	5 1/2"	RK3H000551	RK3H000555	RG3H000551	RG3H000555
12	5 1/2"	RK3H000551	RK3H000555	RG3H000551	RG3H000555
	8"	RK3H000801	RK3H000805	RG3H000801	RG3H000805
	7"	RK3H000701	RK3H000705	RG3H000701	RG3H000705
14	7"	RK3H000701	RK3H000705	RG3H000701	RG3H000705
	10**	RK3H001001	RK3H001005	RG3H001001	RG3H001005
	8**	RK3H000801	RK3H000805	RG3H000801	RG3H000805

*NOTE: For 16", 18" and 20" Bore 3H Cylinders with 8" and 10" rods use the seal kits listed above for 14" Bore 3H with 8" and 10" rods.

Cylinder Bore Size	Tie Rod Torque*	
10"	700 ft.-lbs.	949 N.m
12"	1320 ft.-lbs.	1790 N.m
14"	1000 ft.-lbs.	1356 N.m
16"/18"/20"	3000 ft.-lbs.	4068 N.m

*(-0%, +5% tolerance). When assembling the cylinder, be sure to torque the tie rods evenly.

Retainer Bolt Torque* For Cylinders with Round or Small Square Gland Retainer

Screw Size	Torque*	
1/2"	40 ft.-lbs.	53 N.m
5/8"	46 ft.-lbs.	62 N.m
3/4"	180 ft.-lbs.	244 N.m

*-0%, +5% tolerance.

Bore	Piston Ring Kit†		Piston Lipseal Kit†	
	Contains 4 Ea. Sym. 48, 2 Ea. Sym. 47 & 26		Contains 2 Ea. Sym. 42, 44, 47 & 26	
	Group 1 Kit No.	Group 5 Kit No.	Group 1 Kit No.	Group 5 Kit No.
10	PR9023H001	PR9023H005	PK9023H001	PK9023H005
12	PR9223H001	PR9223H005	PK9223H001	PK9223H005
14	PR9423H001	PR9423H005	PK9423H001	PK9423H005

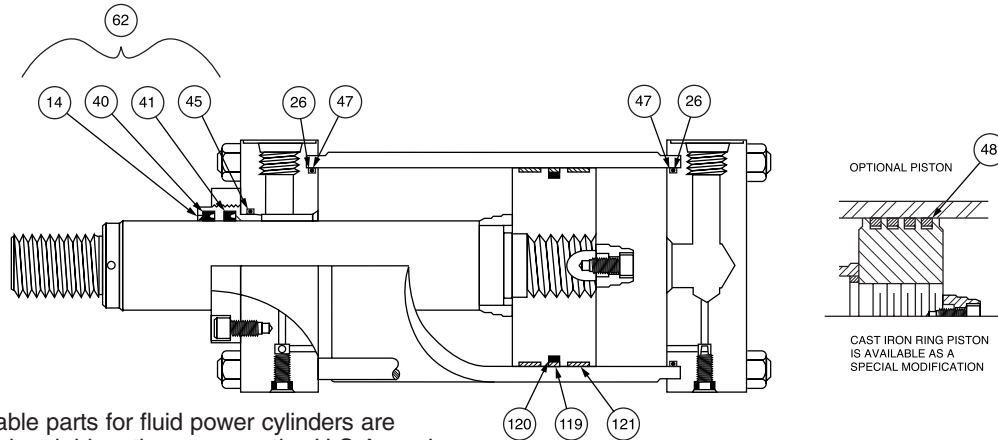
†For 16", 18" and 20" Bore Piston Kits – consult factory.

Bore	Hi Load Piston Seal Kit†		CB Cylinder Body Seal Kit†	
	Contains 2 Ea. Sym. 48, 119, 120, 121, 47 & 26		Contains 2 Ea. Sym. 47 & 26	
	Group 1 Kit No.	Group 5 Kit No.	Group 1 Kit No.	Group 5 Kit No.
10	PK903HK001	PK903HK005	CB9023H001	CB9023H005
12	PK923HK001	PK923HK005	CB9223H001	CB9223H005
14	PK943HK001	PK943HK005	CB9423H001	CB9423H005

For Cylinder Division Plant Locations – See Page II.



Parker Series 3H, 7" & 8" Bore Hydraulic Cylinders Parts Identification and Maintenance Instructions



Service kits of expendable parts for fluid power cylinders are stocked in principal industrial locations across the U.S.A. and other countries. For prompt delivery and complete information, contact your nearest Parker Hannifin distributor or office.

Service kits of expendable parts for fluid power cylinders are available for either Class 1, 5 or Class 6 fluid service.

Standard – Class 1 Service Kits are standard, and contain PTFE, Nitrile and Polyurethane seals. These seals are suitable for use when hydraulic (mineral-type) oil is the operating medium.

The recommended operating temperature range for Class 1 seals is -10°F (-23°C) to +165°F (+74°C).

Fluorocarbon Seals – Class 5 Service Kits contain fluorocarbon seals and are especially suited for elevated temperature service or for some fire resistant fluids (for specific fluids not listed in current catalog consult factory). Fluorocarbon seals (Class 5) should be used for high temperature service within a temperature range of -10°F (-23°C) to +250°F (+121°C). Fluorocarbon seals may be operated to +400°F (+204°C) with limited service life. For temperatures above +250°F (+120°C) the cylinder must be manufactured with a pinned piston to rod connection.

Warning – The piston rod to piston threaded connection is secured with an anaerobic adhesive which is temperature sensitive. Cylinders specified with fluorocarbon seals are assembled with anaerobic adhesive having a maximum operating temperature range of +165°F (+74°C). These temperature limitations are necessary to prevent the possible loosening of the threaded connections. Cylinders originally manufactured with Class 1 seals (Buna-N) that will be exposed to ambient temperatures above +165°F (+74°C) must be modified for higher temperature service. Contact the factory immediately and arrange for the piston to rod and the stud to piston rod connections to be properly re-assembled to withstand the higher temperature service.

High Water Content Fluid – Class 6 Service Kits contain specially compounded HWB seals for High Water Content Fluid Service. These seals can also be used when hydraulic oil is the operating medium. The recommended operating temperature for Class 6 seals is +40°F (+4°C) to +165°F (+74°C).

Parts Identification

Sym. No.	Description	Sym. No.	Description
14	Rod Gland	48	Piston Ring
40	Wiperseal	62	Gland Cartridge Assembly
41	Rod Lipseal	119	Outer Ring
26	End Seal Back Up Washer	120	Inner Ring
45	Gland to Head O-Ring	121	Wear Ring
47	End Seal O-Ring		

For Standard Cushion Hardware Kits see Series 2H (7" & 8").

Class 1 Hydraulic Service Only*

Rod. Dia.	Gland Cartridge Kits (Sym. #62)		Rod Seal Kits	
	Class 1 (Std.)		Class 1 (Std.)	
	Buna-N (Nitrile) & Polyurethane		Buna-N (Nitrile) & Polyurethane	
3"	RG2HLTS301		RK2HLTS301	
3 1/2"	RG2HLTS351		RK2HLTS351	
4"	RG2HLTS401		RK2HLTS401	
4 1/2"	RG2HLTS451		RK2HLTS451	
5"	RG2HLTS501		RK2HLTS501	
5 1/2"	RG2HLTS551		RK2HLTS551	

* For other classes of service, refer to Bulletin 0995-MBC.

Bore Size	Cylinder Body Seal Kit		Piston Seal Kits*	
	CB	PR	Hi-Load	
	Includes 2 ea. Symbol 47 & 26	Includes 2 ea. Sym.47 & 26; 4 ea. Sym. 48	Includes 2 ea. Sym.26, 47 & 121; 1 ea. Sym. 119 & 120	
7	CB703H0001	PR703H0001	PK703HK001	
8	CB803H0001	PR803H0001	PK803HK001	

†CB, PR & hi-load piston seal kit part numbers shown identify class 1, 2 & 6 service only. To order Class 5 seals substitute 5 for the last digit of kit number.

For additional information – call your local Parker Cylinder Distributor.

Series 3H, 7" & 8" Bore Hydraulic Cylinders

Parts Identification and Maintenance Instructions

To Service Rod Gland Seals – The rod gland cartridge, Symbol 62, is removable without disassembly of the cylinder on all Series 3H 7" & 8" bore hydraulic cylinders. To remove the gland, loosen the retainer screws and remove the gland retainer. It is recommended that the used gland be replaced by a complete gland cartridge kit, Symbol 62. Later the used gland can be inspected, and if the bearing surface is still satisfactory and not out-of-round, it can be repacked with replacement seals and stored for future use.

Assemble seals for the Series 3H 7" & 8" bore gland by installing the rod wiperseal and rod lipseal in their proper grooves. Install head-to-gland "O" ring in its proper groove. Lubricate all seals.

THE SEALS ARE PRESSURE-ACTUATED, SO NO FURTHER ADJUSTMENTS ARE NECESSARY.

To Service The Piston Seals – Disassemble the cylinder completely; remove the old seals and clean all of the parts. The cylinder bore and the piston should then be examined for evidence of scoring. If either is damaged, it should be replaced. The piston seal is either cast iron rings, or hi-load PTFE type.

Iron piston rings seldom need replacement. If the rings show no signs of damage or abnormal wear, they may be reused. To install piston and rings, collapse the rings one at a time, while inserting the piston into the cylinder body, using a light oil to aid this process.

The hi-load piston is supplied with one continuous PTFE outer ring, Symbol 119, which is preloaded by a synthetic rubber inner ring, Symbol 120, and two split fabric-phenolic wear rings, Symbol 121. To service the hi-load piston, remove old seals and wear rings and clean all piston surfaces. Install the inner ring in groove as shown. Install the wear ring in the longer groove at each end of piston, also as shown. Heat the PTFE outer ring in boiling water and stretch it by hand until it will fit over the O.D. of the wear ring. Push outer ring over the wear ring and into the seal groove. With outer ring in its groove, compress it with ring compressor or use a starting sleeve having an I.D. same size as cylinder bore and tapered at one end.

To Replace Piston – If the piston or piston rod is badly scored or otherwise damaged, they should be replaced as a complete assembly. To order a piston and rod assembly, specify serial number, bore size, stroke and model number as shown on the cylinder name plate.

Cylinder Reassembly – O-rings, Symbol 47, and back-up washers, Symbol 26, should be lightly coated with lubricant, then worked into place into the cap by hand. Cylinder body can then be assembled to the cap by rocking it down over the seal until the end of the cylinder body is metal-to-metal contact with the cap. Install O-ring, Symbol 47, and back-up washers, Symbol 26, in head. Head is then fitted over the piston rod and assembled to cylinder body. Rock gently into place until body and head are in metal-to-metal contact.

Install tie rods in holes provided in cap and thread them into the tapped holes in the head. On cap end mounting styles the tapped holes are in the cap. Install the tie rod nuts and tighten finger tight.

Inspect the surface of the piston rod for scratches, dents, raised burrs or other damage. A damaged piston rod will quickly ruin any seal through which it moves and should be replaced. Slide the gland with its seals over the piston rod until it seats against the cavity in the head. Install the gland retainer and retainer screws. Torque the tie rod nuts to the torque level shown in the table below. Torque the gland retainer screws to the torque level shown in the table below.

Cylinder Bore Size	Tie Rod Torque*	
	7"	800 ft.-lbs.
8"	1168 ft.-lbs.	1584 N.m

*(-0%, +5% tolerance). When assembling the cylinder, be sure to torque the tie rods evenly.

Retainer Bolt Torque* For Cylinders with Round or Small Square Gland Retainer

Screw Size	Torque*	
#10	15 in.-lbs.	17 cm-kg
1/4"	60 in.-lbs.	69 cm-kg
5/16"	10 ft.-lbs.	14 N.m
3/8"	20 ft.-lbs.	27 N.m
7/16"	35 ft.-lbs.	48 N.m

*-0%, +5% tolerance.

For Cylinder Division Plant Locations – See Page II.



Series HMI Metric Hydraulic Cylinders

Parts Identification

Service Assemblies and Seal Kits

Service Assembly Kits and Seal Kits for HMI cylinders simplify the ordering and maintenance processes. They contain sub-assemblies which are ready for installation, and are supplied with full instructions. When ordering Service Assemblies and Seal Kits, please refer to the identification plate on the cylinder body, and supply the following information:

Serial Number - Bore - Stroke - Model Number - Fluid Type

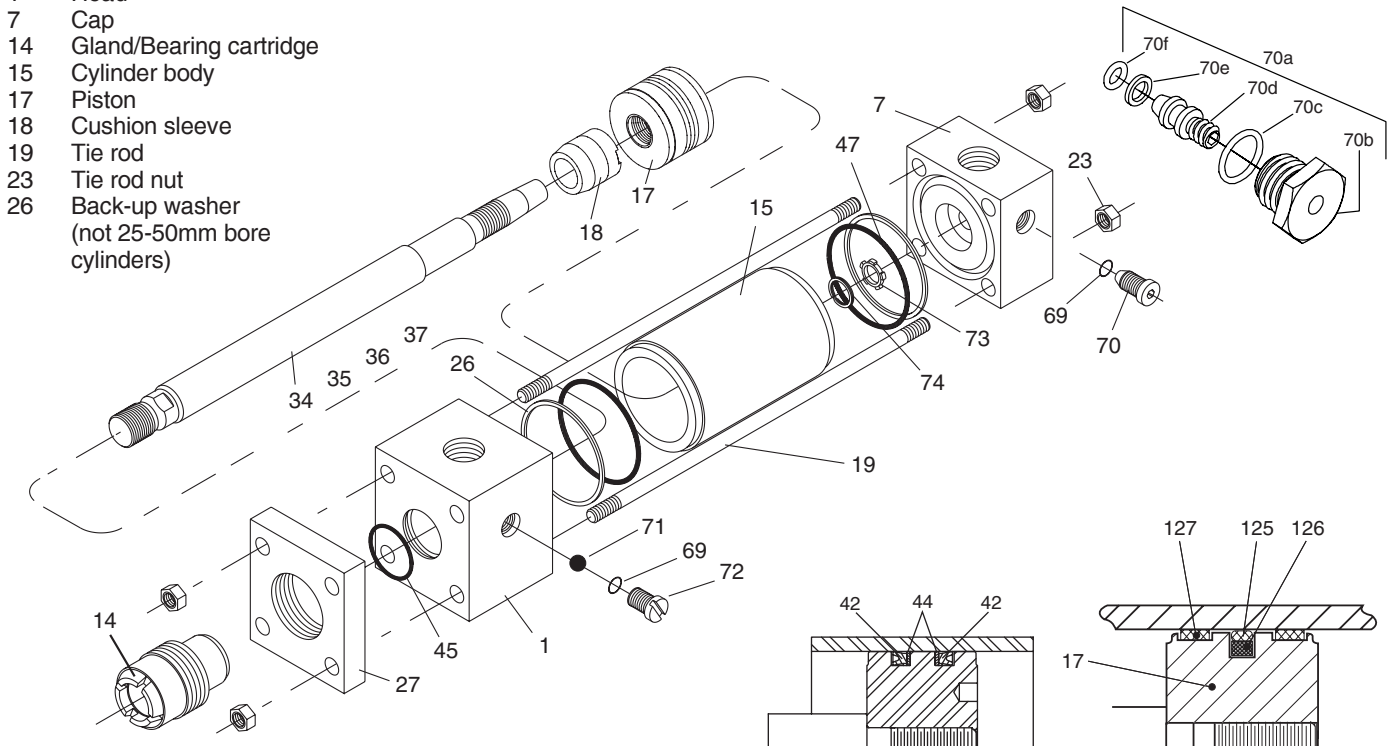
Key to Part Numbers

- 1 Head
- 7 Cap
- 14 Gland/Bearing cartridge
- 15 Cylinder body
- 17 Piston
- 18 Cushion sleeve
- 19 Tie rod
- 23 Tie rod nut
- 26 Back-up washer (not 25-50mm bore cylinders)

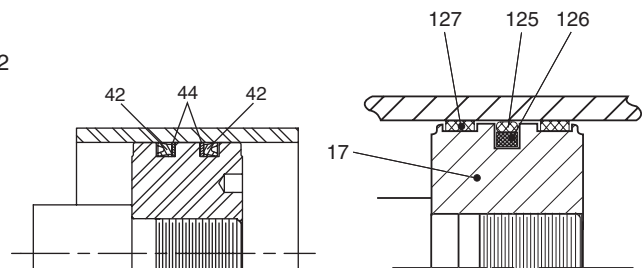
- 70f O-ring – needle screw
- 71 Ball – cushion check valve
- 72 Cushion check valve screw
- 73 Floating cushion bushing
- 74 Retaining ring for cushion bushing
- 125 Standard piston seal
- 126 Energizing ring for standard seal 125
- 127 Wear ring for standard piston

¹Not illustrated

²In some cases, the adjusting screw is installed in a cartridge.

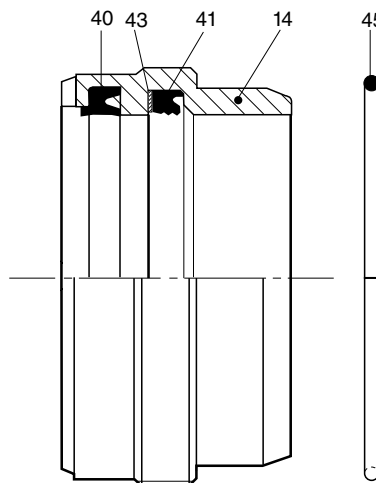


- 27 Retainer
- 34 Piston rod – single rod, no cushion
- 35 Piston rod – single rod, cushion at head end
- 36 Piston rod – single rod, cushion at cap end
- 37 Piston rod – single rod, cushion at both ends
- 40 Wiperseal – for 14 and 122
- 41 Lipseal – for 14
- 42 Lipseal, Piston 25-40mm bores only
- 43 Back-up washer, bushing lipseal 41 (not Group 1 seals)
- 44 Back-up washer, piston lipseal
- 45 O-ring – gland/head
- 47 O-ring – cylinder body
- 57¹ Piston rod – double rod, no cushion
- 58¹ Piston rod – double rod, cushion one end
- 60¹ Piston rod – double rod, no cushion
- 61¹ Piston rod – double rod, cushion one end
- 69 O-ring – needle valve and check valve screws
- 70² Needle valve, cushion adjustment
- 70a² Needle valve, cushion adjustment – cartridge type
- 70b Cartridge screw
- 70c O-ring – cartridge screw
- 70d Needle screw
- 70e Back-up washer – needle screw



Piston 25mm, 32mm and 40mm bore

Piston 50mm bore and larger



Gland Cartridge and Seals

For additional information – call your local Parker Cylinder Distributor.

Series HMI Metric Hydraulic Cylinders

Seal Kits and
Replacement Parts

Contents and Part Numbers of Seal Kits for Piston and Gland

(See key to part numbers opposite)

RG Kit – Gland Cartridge and Seals* Contain items 14, 40, 41, 43, 45. Where the original gland incorporates a gland drain, please consult the factory.

RK Kit – Gland Cartridge Seals* Contain items 40, 41, 43, 45.

Rod Ø	RG Kit*	PK Kit*
12	RG2HM0121	RK2HM0121
14	RG2HM0141	RK2HM0141
18	RG2HM0181	RK2HM0181
22	RG2HM0221	RK2HM0221
28	RG2HM0281	RK2HM0281
36	RG2HM0361	RK2HM0361
45	RG2HM0451	RK2HM0451
56	RG2HM0561	RK2HM0561
70	RG2HM0701	RK2HM0701
90	RG2HM0901	RK2HM0901
110	RG2HM1101	RK2HM1101
140	RG2HM1401	RK2HM1401

CB Kit – Cylinder Body End Seals* Contain two each of items 47, 26 (not 25-50mm bore).

Piston Kit

B-Style Piston Kit – (includes Cylinder Body End Seals)
Contains two each of items 47, 26 (no backup washer in 25mm-50mm bores), two of item 127 and one each of items 125, 126.

Lipseal Piston Kit – (includes Cylinder Body End Seals)
Contains two each of items 42, 44 and 47.

Bore Ø	CB Body Seal Kit*	B-Style Piston Seal Kit*	Piston Lipseal™ Kit†
25	CB025HM001	PF025HM001	PL025HM005*
32	CB032HM001	PF032HM001	PF032HM005*
40	CB040HM001	PF040HM001	PF040HM005*
50	CB050HM001	PF050HM001	N/A
63	CB063HM001	PF063HM001	
80	CB080HM001	PF080HM001	
100	CB100HM001	PF100HM001	
125	CB125HM001	PF125HM001	
160	CB160HM001	PF160HM001	
200	CB200HM001	PF200HM001	

† Piston Lipseals were made standard in 25mm - 40mm bores beginning in June 2006. Carefully check the model number for a 'B' - B-Style or 'L' - Lipseal Style piston before specifying a piston seal kit.

*Piston Lipseal Kits contain group 5 seals that are also suitable for group 1 service.

*Seal Groups – Ordering

The part numbers shown in the tables above are for Group 1 seals, denoted by the last character of each part number. For Group 5 seals, substitute a '5' for the '1' at the end of the number sequence.

Piston Lipseal Kits contain Group 5 seals that are also suitable for Group 1 service.

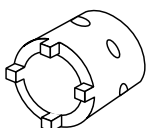
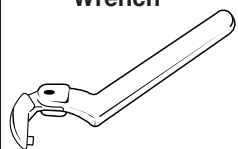
Tie Rod Torques

Bore Ø	Tie Rod Torque Nm
25	4.5-5.0
32	7.6-9.0
40	19.0-20.5
50	68-71
63	68-71
80	160-165
100	160-165
125	450-455
160	815-830
200	1140-1155

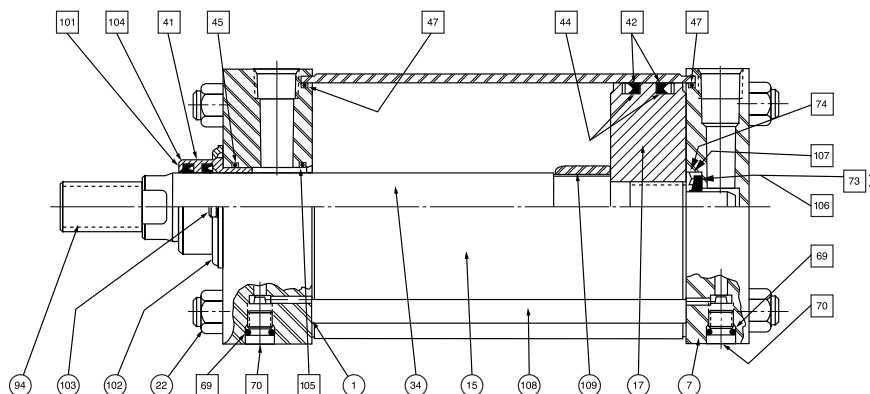
Repairs

Although HMI cylinders are designed to make on-site maintenance or repairs as easy as possible, some operations can only be carried out in our factory. It is standard policy to fit a cylinder returned to the factory for repair with those replacement parts which are necessary to return it to 'as good as new' condition. Should the condition of the returned cylinder be such that repair would be uneconomical, you will be notified.

NOTE: For installation instructions for Seal Kits for Series HMI cylinders, see bulletin 0995-M17.

Rod Ø	Gland Cartridge Wrench	Spanner Wrench
		
12	0695900000	0116760000
14	0695900000	0116760000
18	0847650000	0116760000
22	0695910000	0116760000
28	0847660000	0117030000
36	0695920000	0117030000
45	0695930000	0116770000
56	0695950000	0116770000
70	0695960000	0116770000
90	0847680000	0116770000
110	–	–
140	–	–

For Cylinder Division Plant Locations – See Page II.



Seal Kits

Seals for Series MA cylinders are available in kit form and are stocked in principal industrial locations in the United States. For prompt delivery and complete information, contact the nearest Cylinder Division regional plant, or your local Parker Cylinder distributor.

Seal kits contain seals of nitrile (Buna-N) elastomers, the same as original seals installed in Series MA cylinders. They are recommended when air is the operating medium. Normal operating temperature range is -10°F. to +165°F.

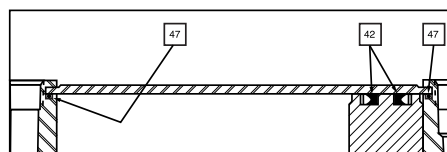
Gland and rod seal replacement parts are identified as Symbol RG – Rod Gland Cartridge Kit. A complete seal kit for noncushion cylinder is identified as Symbol SK – Seal Kit. Cushion kits are available for head or cap end and should be order as required.

Replacement parts can be identified from list below. To order specify bore, stroke, model number and serial number shown on cylinder name plate. Order seal kits from table at right.

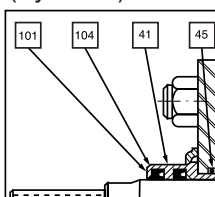
Basic Cylinder Parts Identification

Sym.	Part Name
1	Head
7	Cap
15	Cylinder Body
17	Piston
22	Tie Rod Nut
34	Piston Rod
41	Lipseal Rod Gland
42	Lipseal, Piston
44	Back-up washer, Piston
45	O-Ring, Gland to Head
47	O-ring, End Seal
69	O-Ring, Cush. Adj.
70	Needle, Cush. Adj.
73	Bushing, Cushion
74	Retaining Ring
94	Stud, Rod End
101	Gland
102	Retainer
103	Screw, Retainer
104	Wiper, Rod
105	Check Seal, Rod End
106	Check Seal, Cap End
107	Washer, Seal
108	Tie Rod
109	Cushion Sleeve

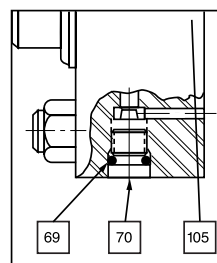
†on 6" Bore only Sym. 73 is used in place of Sym. 106 and 107.



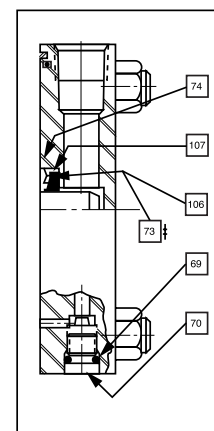
Seal Kit
(Sym. SK)



Rod Gland
Cartridge Kit
(Sym. RG)



Head End
Cushion Kit
(Sym. CH)



Cap End
Cushion Kit
(Sym. CC)

Bore Size	Rod Dia.	Sym. SK**	Sym. RG	Sym. CH	Sym. CC	Tie Rod Nut Torque*	
		Seal Kit	Rod Gland Cartridge Kit	Head End Cushion Kit	Cap End Cushion Kit	Series MA Cylinders	
		Contains Sym. #41, 42, 44, 45, 47 & 104	Contains Sym.#41, 45, 101 & 104	Contains Sym. #69, 70 & 105	Contains Sym. #69, 70, 74, 106 & 107	Steel Tube Tie Rod Nut Torque	Aluminum Tube Tie Rod Nut Torque
1 1/2	5/8	SKL7000MA1	RGL6948MA1	CHL7011MA1	CCL7016MA1	60 in.-lbs. 69 cm-kq	20 in.-lbs. 23 cm-kq
	5/8	SKL7001MA1	RGL6948MA1	CHL7012MA1	CCL7016MA1	11 ft.-lbs. 15 N.m	72 in.-lbs. 83 cm-kq
2	1	SKL7002MA1	RGL6949MA1	CHL7013MA1	CCL7016MA1	11 ft.-lbs. 15 N.m	72 in.-lbs. 83 cm-kq
	5/8	SKL7003MA1	RGL6948MA1	CHL7012MA1	CCL7016MA1	11 ft.-lbs. 15 N.m	72 in.-lbs. 83 cm-kq
2 1/2	1	SKL7004MA1	RGL6949MA1	CHL7013MA1	CCL7016MA1	11 ft.-lbs. 15 N.m	72 in.-lbs. 83 cm-kq
	1	SKL7005MA1	RGL6949MA1	CHL7014MA1	CCL7017MA1	25 ft.-lbs. 34 N.m	18 ft.-lbs. 24 N.m
3 1/4	1 3/8	SKL7006MA1	RGL6950MA1	CHL7015MA1	CCL7017MA1	25 ft.-lbs. 34 N.m	18 ft.-lbs. 24 N.m
	1	SKL7007MA1	RGL6949MA1	CHL7014MA1	CCL7017MA1	25 ft.-lbs. 34 N.m	18 ft.-lbs. 24 N.m
4	1 3/8	SKL7008MA1	RGL6950MA1	CHL7015MA1	CCL7017MA1	25 ft.-lbs. 34 N.m	18 ft.-lbs. 24 N.m
	1	SKL7009MA1	RGL6949MA1	CHL7014MA1	CCL7017MA1	60 ft.-lbs. 81 N.m	37 ft.-lbs. 50 N.m
5	1 3/8	SKL7010MA1	RGL6950MA1	CHL7015MA1	CCL7017MA1	60 ft.-lbs. 81 N.m	37 ft.-lbs. 50 N.m
	1 3/8	SKL7098MA1	RGL6950MA1	CHL7170MA1	CCL7171MA1	60 ft.-lbs. 81 N.m	37 ft.-lbs. 50 N.m

* (-0%, +5% tolerance) When assembling the cylinder, be sure to torque the tie rods evenly.

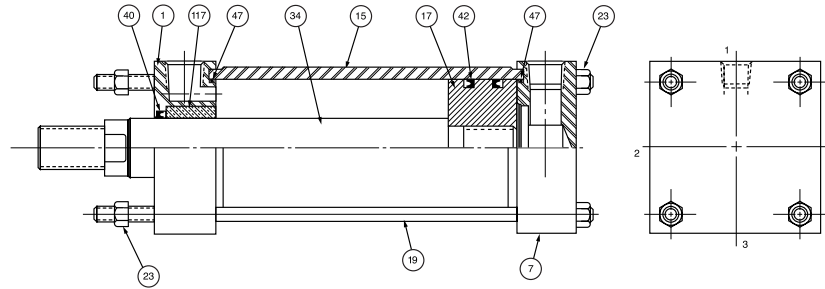
** Replace "L" with "M" in the seal kit number (i.e. SKM7003MA1) for cylinders with magnetic piston assemblies. A special piston seal will be furnished in the kit.

For additional information – call your local Parker Cylinder Distributor.

Series VP Air Cylinders/Valve Actuator

Parts Identification
Seal Kits

Series VP Parts Listing (2" thru 5" Bore Sizes)

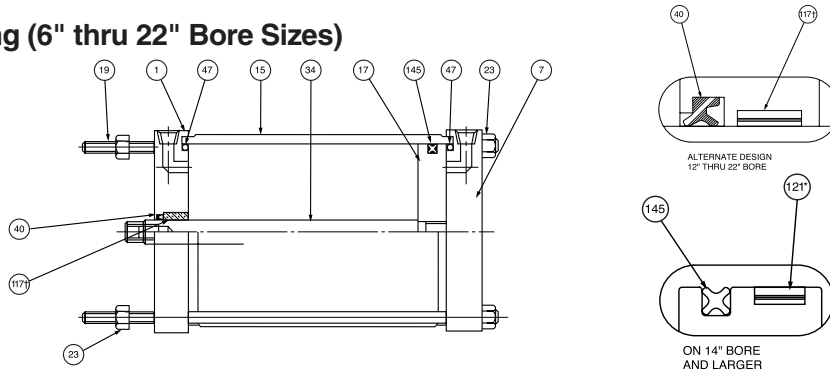


Item	Qty.	Description
1	1	Head
7	1	Cap
15	1	Cylinder Body
17	1	Piston Body
19	4	Tie Rod
23	8	Tie Rod Nut
34	1	Piston Rod
40	1	Rod (Wiper/Lipseal)
42	2	Piston Lipseal
47	2	Cylinder Body O-ring
117	1	Rod Bearing

Valve Actuator Cylinder Seal Kits are complete and consist of the following: 40 (1 ea.), 42 & 47 (2 ea.)					
Bore Size	Rod Dia.	Class 1 SK Seal Kit Nos. Containing Piston and Body Seals	Class 5 SK Seal Kit Nos. Containing Piston and Body Seals	Tie Rod Size (Inches)	Tie Rod Nut Torque* ft. lbs./N-m
2"	5/8"	KT020VP061	KT020VP065	5/16-24	11/15
2 1/2"	5/8"	KT025VP061	KT025VP065	5/16-24	11/15
3 1/4"	1"	KT032VP101	KT032VP105	3/8-24	25/34
4"	1"	KT040VP101	KT040VP105	3/8-24	25/34
5"	1"	KT050VP101	KT050VP105	1/2-24	60/81

*(-0%, +5% tolerance). When assembling the cylinder, be sure to torque the tie rods evenly.

Series VP Parts Listing (6" thru 22" Bore Sizes)



Item	Qty.	Description
1	1	Head
7	1	Cap
15	1	Cylinder Body
17	1	Piston Body
19	4	Tie Rod
23	8	Tie Rod Nut
34	1	Piston Rod
40	1	Rod (Wiper/Lipseal)
47	2	Cylinder Body O-ring
117†	1	Rod Wear Ring
121*	1	Piston Wear Ring
145	1	Piston Quad Seal

†117 – not replaceable on current design

*121 – required only on 14" thru 22" Bore Cylinders

Valve Actuator Cylinder Seal Kits are complete and consist of the following:					
6"-10" Bore - 1 ea. #40, #145, 2 ea. #47					
14"-22" Bore - 1 ea #40, #117, #121, #145, 2 ea. #47					
12" Bore - 1 ea #40, #117, 2 ea. #47					
Bore Size	Rod Dia.	Class 1 SK Seal Kit Nos. Containing Piston and Body Seals	Class 5 SK Seal Kit Nos. Containing Piston and Body Seals	Tie Rod Size (Inches)	Tie Rod Nut Torque* ft. lbs./N-m
6"	1"	KT060VP101	KT060VP105	1/2-20	60/81
7"	1"	KT070VP101	KT070VP105	5/8-18	90/122
8"	1"	KT080VP101	KT080VP105	5/8-18	110/149
10"	1"	KT100VP101	KT100VP105	3/4-16	148/201
12"	1 3/8"	KT120VP131	KT120VP135	3/4-16	172/233
14"	1 3/8"	KT140VP131	KT140VP135	7/8-14	275/373
16"	1 3/4"	KT160VP171	KT160VP175	1-14	390/529
18"	2"	KT180VP201	KT180VP205	1 1/8-12	540/732
20"	2"	KT200VP201	KT200VP205	1 1/4-12	745/1010
22"	2 1/2"	KT220VP251	KT220VP255	1 1/4-12	745/1010

*(-0%, +5% tolerance). When assembling the cylinder, be sure to torque the tie rods evenly.

For Cylinder Division Plant Locations – See Page II.



NOTES

For additional information – call your local Parker Cylinder Distributor.

Fluid Power Intensifiers

Series PC, PD and PS



The easier, less costly way to provide high pressure hydraulic power.

- Maximum Input Pressures:
Air - 250 psi (17 BAR);
Oil - 1000 psi (69 BAR).
- Maximum Output Pressures:
5/8" to 3" RAM - 5000 psi (345 BAR);
3 1/2" to 5 1/2" RAM -
3000 psi (206 BAR).
- Maximum Operating Temperatures:
-10°F to +165°F (-23°C) to (+74°C).

For Cylinder Division Plant Locations – See Page II.

Parker Fluidpower Intensifiers

Designed to Save Energy, Time, Space and Money in a Wide Variety of Applications.

A Parker Fluidpower Intensifier is an efficient way of generating high pressure hydraulic fluid. Its operation is quite simple. Pressurized fluid – either air or oil – enters the intensifier and acts on a confined piston. This in turn drives a smaller diameter ram or piston to deliver a given volume of fluid. As a result, the output pressure is intensified and is considerably higher than the input pressure.

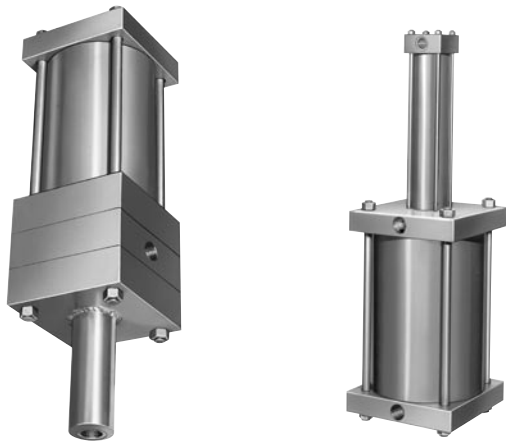
By using a Parker Intensifier you can save in many ways. First, since it requires only low pressure input and less costly control valving, you eliminate the extra expense of high pressure pumps, valving and a large electrical power sources. The simpler mountings and controls also save you valuable installation time.

In addition, since Parker Intensifiers produce high hydraulic pressure, you can save space by using a smaller bore hydraulic cylinder in place of a larger bore air cylinder that is heavier and more costly.

Finally, because of the rugged dependability of Parker Intensifiers and the simpler circuitry required, you eliminate the constant motion, heat generation and power consumption found in pump systems. This means that you use less energy with less downtime and maintenance.

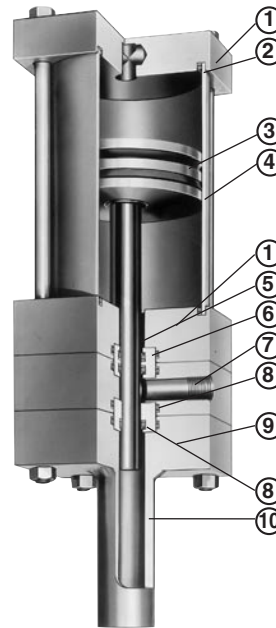
These abilities and benefits of Parker Fluidpower Intensifiers make them the ideal component in many applications. You can use them for such operations as marking, forming, molding, punching, riveting, shearing, straightening, laminating, embossing, welding and testing.

What's more, the Parker Intensifier can be mounted on or off the equipment and can even be integrally combined with the work cylinder. This flexibility makes them particularly useful hydraulic pressure sources on portable equipment.



Parker Fluid Intensifiers are available in various sizes and configurations. There are cylinder-to-ram units with capability for either single pressure or dual pressure service (left above), as well as several cylinder-to-cylinder models (above right).

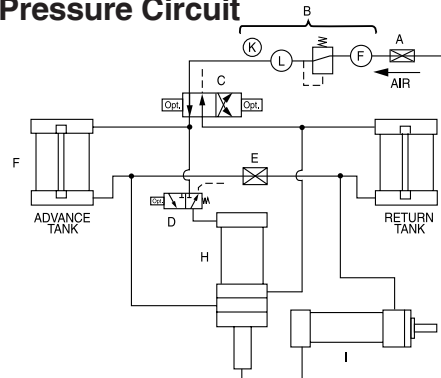
Here are the features you'll find in every Parker Fluidpower Intensifier:



1. Compact, high-strength steel heads, cap and tie rods meet the most demanding applications.
2. Seal by pressure O-rings serve as cylinder body-to-head seals prevent leaks. The cylinder body is also piloted on the O.D. to insure metal-to-metal contact to support the seals.
3. The rugged one-piece iron piston is threaded and Loctited to the ram. Parker Lipseal™ piston seals are used with air; piston rings with hydraulic fluid.
4. The driving cylinder body is steel tubing with chrome-plated bore for corrosion-resistance in bore sizes 3/4" through 10". Fiber glass is used on 12" and 14" bore sizes.

5. The smooth, wear-resistant surface of the chrome-plated and induction-hardened ram greatly lengthens seal life.
6. Static O-ring seals prevent leaks past the O.D. of the glands. Back-up washers prevent extrusion.
7. Intensifier operation is speeded up by the free flow of fluid in and out of the unobstructed ports. All high-pressure hydraulic ports are SAE straight thread. O-ring type for leak-proof service.
8. Serrated Lipseals™ are self-compensating and self-adjusting to provide leakproof ram seal for both high and low pressure operation.
9. For servicing the high pressure ram seals, the pressure chamber is independently secured with studs so it can be easily removed without disassembling the complete intensifier.
10. For optimum strength and safety, the pressure chamber wall is made of extra thick steel tubing that is piloted in a counterbore and pressure-welded to the head.

Dual Pressure Circuit



- A Cutoff Valve
- B Air Preparation Unit (Filter Regulator Lubricator-Gauge)
- C 4-Way Valve (Normally 2 Position)
- D 3-Way Valve
- E Cutoff Valve (For Balancing Tank Fluid Levels)
- F Advancing Tank (Air-Oil)
- G Retracting Tank (Air-Oil)
- H Intensifier
- I Work Cylinder

This basic circuit is for a dual pressure system supplying pressure to a double-acting work system. The circuit may be readily

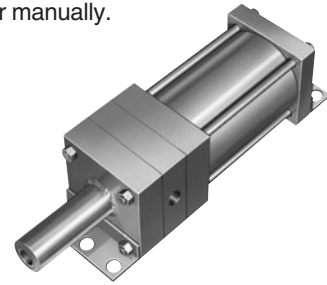
For additional information – call your local Parker Cylinder Distributor.

changed for other operating conditions such as single acting cylinder and single pressure delivery.

The input pressure is introduced to the system through shop air lines to the 4-way directional control valve C. When valve C is shifted to position as shown, air is directed into air-oil tank F and to valve D. Oil, acted upon by air pressure, is forced from tank through pressure chamber of retracted intensifier and into work cylinder. The cylinder advances in stroke, being driven by this incoming oil. At a predetermined point in the stroke length of the work cylinder, valve D is synchronized to shift and direct air pressure to the intensifier to drive it in its power stroke, isolating tank F and supplying high pressure to work cylinder for its high thrust stroke. The work cylinder and intensifier are retracted by the shifting of valves C and D simultaneously to exhaust the intensifier and tank F. At the same time, air pressure is directed to tank G

and to rod end side of intensifier piston. Oil from tank G retracts cylinder at low pressure.

The operators for valves C and D are optional – mechanical, manual, pilot or solenoid. The method of synchronizing valve D to stroke length position of work cylinder is also optional. This may be done by pilot control, limit switch, pressure switch, mechanically such as cams, or manually.



How to Select Parker Fluidpower Intensifiers

Step 1: Determine the intensifier ratio for your application. This is the ratio of the available input fluid pressure and the output operating pressure required for the application. For cylinder-to-ram or cylinder-to-cylinder units, use the following formula:

$$\text{Intensifier ratio} = \frac{\text{Output pressure}}{\text{Input pressure}}$$

Step 2: Locate the intensifier ratio in column 5 of the appropriate chart on page 3. If the exact ratio is not shown, use the next larger ratio listed. When more than one choice is possible, usually the smallest driving cylinder bore size for a given intensifier ratio is the most economical answer.

Step 3: On same horizontal line as ratio determined in Step 2, select the driving cylinder bore size from column 1 and the ram diameter or driven cylinder bore size from column 3.

Note: For cylinder-to-ram applications, proceed with Steps 4 and 5. If a cylinder-to-cylinder unit is required, go to Step 6.

Step 4: Determine the type of cylinder-to-ram intensifier needed. Generally, a single pressure intensifier is used when the hydraulic work cylinder requires a high pressure for the entire stroke or in test vessel applications. A dual pressure intensifier is recommended if the high pressure is to be used only during the last portion of the work cylinder stroke.

Step 5: Calculate the intensifier stroke.

For single pressure intensifiers, use the formula:

$$\text{Intensifier stroke} = \frac{V + V_C}{A_r}$$

For dual pressure intensifier, use this formula:

$$\text{Intensifier stroke} = \frac{V_h + V_c}{A_r} + 2^{**}$$

Where: V = Work cylinder volume or test vessel fluid requirement in cubic inches.

V_h = oil volume in cubic inches required to move the work cylinder piston through its high pressure stroke.

V_c = compressibility allowance of 1% per 1000 psi of total volume in cubic inches of oil in the high pressure circuit, determined from:

V_c = total volume x .01 x high pressure/1000.

A_r = area of intensifier ram in square inches.

*This 2" is the intensifier stroke advance necessary to close the high pressure seal on dual pressure intensifiers only.

Note: If the calculated intensifier stroke results in a fraction, correct to the next larger **even** inch. The recommended maximum stroke is 20". If stroke calculation results in longer than 20" stroke, select a larger driving cylinder and ram having a similar intensifier ratio and recalculate stroke.

Step 6: For cylinder-to-cylinder intensifiers: Select the proper output cylinder. Since the output pressure is limited by the cylinder construction, the cylinder should be selected using the maximum pressure to be developed under nonshock conditions.

For Parker Series 3L and 2H hydraulic cylinders, the maximum pressures under nonshock conditions are:

3L Series: 1½" – 2500 psi; 2" – 2000 psi; 2½" – 1800 psi;
3¼" – 2000 psi; 4" – 1350 psi; 5" – 1500 psi;
6" – 1100 psi; 8" – 900 psi

2H Series: All bore sizes – 3000 psi.

General Guidelines

- Intensifiers are generally faster operating when:
 - There is adequate input pressure.
 - The ports and piping are large enough. Consider the use of oversize ports and connecting lines, to minimize pressure drop.
 - The intensifier is pre-exhausted prior to the power stroke.
 - Size hydraulic lines so that fluid flow velocity does not exceed 7 feet per second.
- Bypass the intensifier with a pre-fill low pressure line by direct connection through a check valve to the pressure vessel.
- Regulate the driving pressure to the intensifier to achieve the required high pressure output.
- Keep all piping lengths to a minimum by having the tanks, intensifier and pressure vessel as close together as possible.
- A single pressure intensifier usually provides faster cylinder action because it does not need to change from low to high pressure but instead immediately supplies the high pressure.
- Intensifiers are generally used in circuits where limited quantities of high pressure fluid is required.

(Series PS and PD) Cylinder to Ram Intensifiers

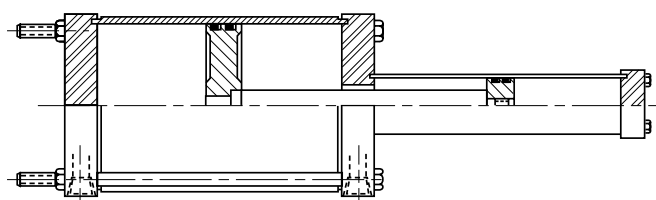
Driving Cylinder		Hydraulic Ram			Intensifier Ratio	Theoretical Intensified Hydraulic Pressure (PSI) Using An Input Pressure Of					
Bore	Area	Dia.	Area of Volume Displ. Per in Stroke	50		80	100	200	500	1000	
Col. 1	Col. 2	Col. 3	Col. 4	Col. 5	Col. 6	Col. 7	Col. 8	Col. 9	Col. 10	Col. 11	
3 1/4	8.296	5/8	.307	27.02	1351	2161	2702				
		1	.785	10.57	529	846	1057	2114			
		1 3/8	1.485	5.59	280	447	559	1118	2795		
		1 3/4	2.405	3.45	173	276	345	690	1725	3450	
		2	3.142	2.64	132	211	264	528	1320	2640	
		5/8	.307	40.93	2046	3274	4093				
4	12.566	1	.785	16.00	800	1280	1600	3200			
		1 3/8	1.485	8.46	423	677	846	1692	4230		
		1 3/4	2.405	5.23	262	418	523	1046	2615		
		2	3.142	4.00	200	320	400	800	2000	4000	
		2 1/2	4.909	2.56	128	205	256	512	1280	2560	
		5/8	.307	63.95	3197	5116					
5	19.635	1	.785	25.01	1250	2000	2501	5002			
		1 3/8	1.485	13.22	661	1058	1322	2644			
		1 3/4	2.405	8.16	408	653	816	1632	4080		
		2	3.142	6.25	313	500	625	1250	3125		
		2 1/2	4.909	4.00	200	320	400	800	2000	4000	
		3	7.069	2.78	139	222	278	556	1390	2780	
6	28.274	3 1/2	9.621	2.04	102	163	204	408	1020	2040	
		1	.785	36.01	1800	2880	3601				
		1 3/8	1.485	19.05	953	1524	1905	3810			
		1 3/4	2.405	11.76	588	941	1176	2352			
		2	3.142	9.00	450	720	900	1800	4500		
		2 1/2	4.909	5.76	288	461	576	1152	2880		
8	50.265	3	7.069	4.00	200	320	400	800	2000	4000	
		3 1/2	9.621	2.94	147	235	294	588	1470	2940	
		1	.785	64.03	3201	5122					
		1 3/8	1.485	33.85	1693	2708	3385				
		1 3/4	2.405	20.90	1045	1672	2090	4180			
		2	3.142	16.00	800	1280	1600	3200			
10	78.540	2 1/2	4.909	10.24	512	819	1024	1048			
		3	7.069	7.11	356	569	711	1422	3555		
		3 1/2	9.621	5.23	262	418	523	1046	1615		
		1 3/8	1.485	52.89	2644	4231					
		1 3/4	2.405	32.66	1633	2613	3266				
		2	3.142	25.00	1250	2000	2500	5000			
12	113.10	2 1/2	4.909	16.00	800	1280	1600	3200			
		3	7.069	11.11	556	889	1111	2222			
		3 1/2	9.621	8.16	408	653	816	1632	4080		
		1 3/8	1.485	76.16	3808						
		1 3/4	2.405	47.02	2351	3761	4702				
		2	3.142	36.00	1800	2880	3600				
14	153.94	2 1/2	4.909	23.04	1152	1843	2304	4608			
		3	7.069	16.00	800	1280	1600	3200			
		3 1/2	9.621	11.75	588	940	1175	2350			
		1 3/4	2.405	64.00	3200	5120					
		2	3.142	48.99	2449	3919	4899				
		2 1/2	4.909	31.36	1568	2509	3136				
		3	7.069	21.78	1089	1742	2178	4356			
		3 1/2	9.621	16.00	800	1280	1600	3200			

(Series PC) Cylinder to Cylinder Intensifiers

Driving Cylinder		Driving Cylinder		Intensifier Ratio	Theoretical Intensified Hydraulic Pressure (PSI) Using An Input Pressure Of					
Bore	Area	Bore	Area		50	80	100	200	500	1000
Col. 1	Col. 2	Col. 3	Col. 4	Col. 5	Col. 6	Col. 7	Col. 8	Col. 9	Col. 10	Col. 11
3 1/4	8.296	1 1/2	1.767	4.69	235	375	469	938	2345	
		2	3.142	2.64	132	211	264	528	1320	2640*
		3 1/4	8.296	2.37	119	190	237	474	1185	2370*
4	12.566	1 1/2	1.767	7.11	356	569	711	1422	3555*	
		2	3.142	4.00	200	320	400	800	2000	4000*
		2 1/2	4.909	2.56	128	205	256	512	1280	2560*
5	19.635	1 1/2	1.767	11.11	556	889	1111	2222		
		2	3.142	6.25	313	500	625	1250	3125*	
		2 1/2	4.909	4.00	200	320	400	800	2000*	4000*
6	28.274	3 1/4	8.296	2.37	119	190	237	474	1185	2370*
		2	3.142	9.00	450	720	900	1800	4500*	
		2 1/2	4.909	5.76	288	461	576	1152	2880*	
8	50.265	3 1/4	8.296	3.41	171	273	341	682	1705	3410*
		4	12.566	2.25	113	180	225	450	1125	2250*
		5	19.635	1.44	72	115	144	188	720	1440
10	78.540	2	3.142	16.00	800	1280	1600	3200*		
		2 1/2	4.909	10.24	512	819	1024	2048		
		3 1/4	8.296	6.06	303	485	606	1212	3030*	
12	113.10	4	12.566	4.00	200	320	400	800	2000*	4000*
		5	19.635	2.56	128	205	256	512	1280	2560*
		6	28.274	1.78	89	143	178	356	890	1780*
14	153.94	2 1/2	4.909	16.00	800	1280	1600	3200*		
		3 1/4	8.296	9.47	474	758	947	1894	4735*	
		4	12.566	6.25	313	500	625	1250	3125*	
		5	19.635	4.00	200	320	400	800	2000*	4000*
		6	28.274	2.78	139	223	278	556	1390*	2780*
		7	38.485	2.94	147	235	294	588	1470*	2940*
		8	50.265	2.25	113	180	225	450	1125*	2250*
		4	12.566	12.25	613	980	1225	2450*		
		5	19.635	7.84	392	627	784	1568*	3920*	
		6	28.274	5.45	273	436	545	1090	1725*	
		7	38.485	4.00	200*	320*	400*	800*	2000*	4000*
		8	50.265	3.06	153	245	306	612	1530*	3060*

*Not recommended for Series 3L driven cylinder, use Series 2H.

Cylinder to Cylinder Intensifier – Series PC



For additional information – call your local Parker Cylinder Distributor.

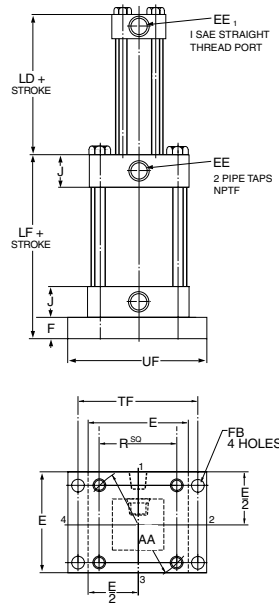
Fluidpower Intensifiers

Parker Fluid Power Cylinder to Cylinder Intensifiers (Series PC)

Series PC Intensifiers consist of two cylinders joined into an integral unit with one piston driving a second piston of smaller diameter. These intensifiers are not self-bleeding or self-filling, therefore, for the most effective operation, it is recommended that these tasks be done manually.

Special Note: It is recommended that Series PC cylinder-to-cylinder intensifiers be mounted vertically with the smaller cylinder up.

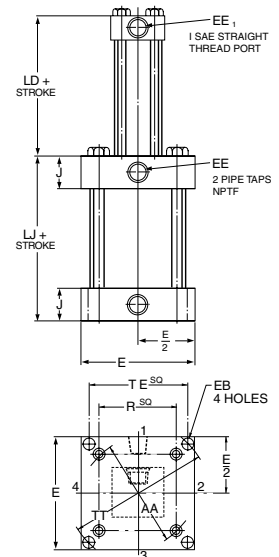
Bore	1 1/2	2	2 1/2	3 1/4	4	5	6	8	10	12	14
	Series 2A & 3L						Series 2A Only				
E	2	2 1/2	3	3 3/4	4 1/2	5 1/2	6 1/2	8 1/2	10 5/8	12 3/4	14 3/4
F	3/8	3/8	3/8	5/8	5/8	5/8	3/4	-	-	-	-
J	1	1	1	1 1/4	1 1/4	1 1/4	1 1/2	1 1/2	2	2	2 1/4
K	7/32	17/64	17/64	21/64	21/64	7/16	7/16	35/64	41/64	41/64	3/4
R	1.43	1.84	2.19	2.76	3.32	4.10	4.88	6.44	7.92	9.40	10.90
AA	2.02	2.6	3.1	3.9	4.7	5.8	6.9	9.1	11.2	13.3	15.4
BB	1	1 1/8	1 1/8	1 3/8	1 3/8	1 13/16	1 13/16	2 5/16	2 11/16	2 11/16	3 3/16
DD	1/4-28	5/16-24	5/16-24	3/8-24	3/8-24	1/2-20	1/2-20	5/8-18	3/4-16	3/4-16	7/8-14
EE	3/8	3/8	3/8	1/2	1/2	3/4	3/4	3/4	1	1	1 1/4
EE ₁	#6	#6	#6	#10	#10	#10	#12	#12	-	-	-
EB	-	-	-	-	-	-	-	11/16	13/16	13/16	15/16
FB	5/16	3/8	3/8	7/16	7/16	9/16	9/16	-	-	-	-
LD	2 5/8	2 5/8	2 3/4	3	3	3 1/4	3 1/2	3 5/8	4 5/8	5 1/8	5 7/8
LF	3 1/2	3 1/2	3 5/8	4 3/8	4 3/8	4 5/8	5 1/4	-	-	-	-
LJ	3 1/8	3 1/8	3 1/4	3 3/4	3 3/4	4	4 1/2	4 5/8	6 1/8	6 5/8	7 5/8
TE	-	-	-	-	-	-	-	7.57	9.40	11.10	12.87
TF	2 3/4	3 3/8	3 7/8	4 11/16	5 7/16	6 5/8	7 5/8	-	-	-	-
TT	-	-	-	-	-	-	-	10.7	13.3	15.7	18.2
UF	3 3/8	4 1/8	4 5/8	5 1/2	6 1/4	7 5/8	8 5/8	-	-	-	-



Mounting Style H Cap Rectangular Flange

This mounting available in driving cylinder bore sizes 3 1/4-inches through 6-inches.

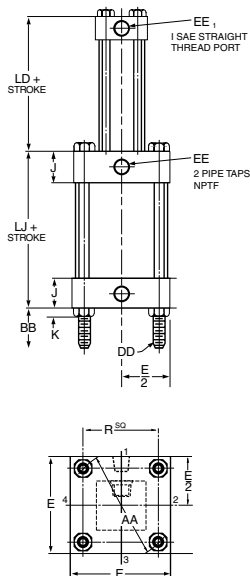
MTG Styles are:
HA – Air Input
HL – Hyd. Input



Mounting Style HB Cap Square Flange

This mounting available in driving cylinder bore sizes 8-inches through 14-inches.

MTG Styles are:
HBA – Air Input
HBL – Hyd. Input



Mounting Style TC Cap Tie Rods Extended

This mounting available in driving cylinder bore sizes 3 1/4-inches through 14-inches.

MTG Styles are:
TCA Cap End – Air Input
TCL Cap End Hyd. Input

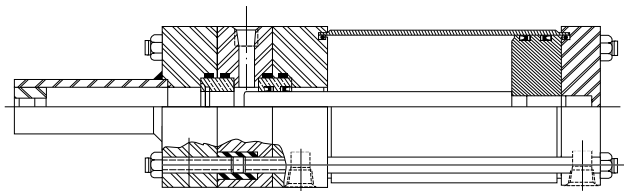
Bore	1 1/2	2	2 1/2	3 1/4	4	5	6	7	8
	Series 2H								
E	2 1/2	3	3 1/2	4 1/2	5	6 1/2	7 1/2	8 1/2	9 1/2
F	3/8	5/8	5/8	3/4	7/8	7/8	1	1	1
J	1 1/2	1 1/2	1 1/2	1 3/4	1 3/4	1 3/4	2	2 1/4	2 1/2
K	21/64	7/16	7/16	35/64	35/64	3/4	55/64	31/32	1 1/16
R	1.63	2.05	2.55	3.25	3.82	4.95	5.73	6.58	7.50
AA	2.3	2.9	3.6	4.6	5.4	7.0	8.1	9.3	10.6
BB	1 3/8	1 13/16	1 13/16	2 5/16	2 5/16	3 3/16	3 5/8	4 1/8	4 1/2
DD	3/8-24	1/2-20	1/2-20	5/8-18	5/8-18	7/8-14	1-14	1 1/8-12	1 1/4-12
EE	1/2	1/2	1/2	3/4	3/4	3/4	1	1 1/4	1 1/2
EE ₁	#10	#10	#10	#16	#16	#16	#16	#20	#24
FB	7/16	9/16	9/16	11/16	11/16	15/16	1 1/16	1 3/16	1 5/16
LD	3 3/8	3 3/8	3 1/2	4	4 1/4	4 3/4	5 5/8	6 1/4	7
LF	4 3/4	5	5 1/8	6	6 3/8	6 7/8	8 1/8	9	10
LJ	4 3/8	4 3/8	4 1/2	5 1/4	5 1/2	6	7 1/8	8	9
TF	3 7/16	4 1/8	4 5/8	5 7/8	6 3/8	8 3/16	9 7/16	10 5/8	11 13/16
UF	4 1/8	5 1/8	5 5/8	7 1/8	7 5/8	9 3/4	11 1/4	12 5/8	14

Maximum non-shock pressure rating for Series "3L" and "2H" can be found on page 106.

Parker Fluid Power Cylinder to Ram Dual Pressure Intensifiers (Series PD)

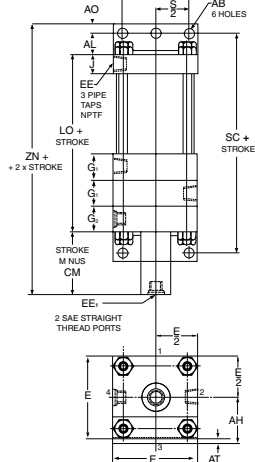
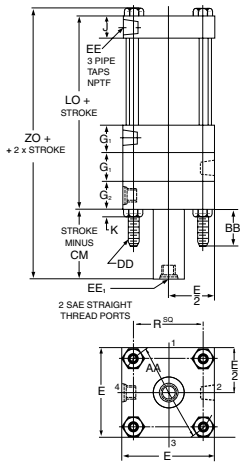
Series PD Intensifiers are similar to the Series PS units except a center head has been added to retain another gland and a third ram seal. When the ram is fully retracted, it withdraws from this third seal, allowing the low pressure the low pressure hydraulic fluid to flow through the port in the center head. The fluid then goes past the ram and out the pressure chamber port to prefill and advance the work cylinder. Actually, this third seal and the ram act as a check valve. As the circuit sequences, the ram advances into the seal to close this “valve” and build up high pressure. With this arrangement and the proper mounting, Series PD intensifiers are self-bleeding and self-filling. And these intensifiers may be used in either single or dual pressure circuits.

Special Notes: 1. When equipped with integral air-oil tanks, Series PD intensifiers have a maximum input pressure of 150 psi.
2. It is recommended that Series PD dual pressure intensifiers be mounted vertically with the pressure chamber down.



Dimensions Independent of Ram Size

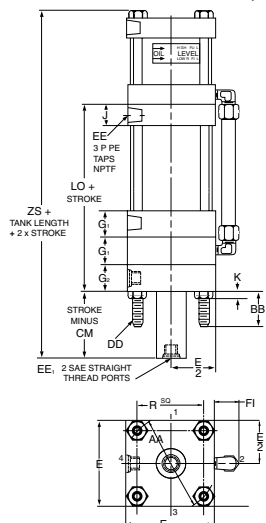
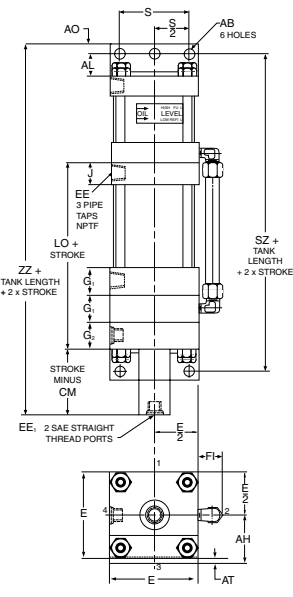
Bore	3 1/4	4	5	6	8	10	12	14
	Series 2A & 3L				Series 2A Only			
E	3 3/4	4 1/2	5 1/2	6 1/2	8 1/2	10 5/8	12 3/4	14 3/4
G ₁	1 3/4	1 3/4	1 3/4	2	2	2 1/4	2 1/4	2 3/4
J	1 1/4	1 1/4	1 1/4	1 1/2	1 1/2	2	2	2 1/4
K	3/8	3/8	7/16	7/16	9/16	11/16	11/16	3/4
R	2.76	3.32	4.10	4.88	6.44	7.92	9.40	10.90
S	2 3/4	3 1/2	4 1/4	5 1/4	7 1/8	8 7/8	11	12 5/8
AA	3.9	4.7	5.8	6.9	9.1	11.2	13.3	15.4
AB	9/16	9/16	11/16	13/16	13/16	1 1/16	1 1/16	1 5/16
AH	1 15/16	2 1/4	2 3/4	3 1/4	4 1/4	5 5/16	6 3/8	7 3/8
AL	1 1/4	1 1/4	1 3/8	1 3/8	1 13/16	2 1/8	2 1/8	2 7/16
AO	1/2	1/2	5/8	5/8	11/16	7/8	7/8	1 1/16
AT	1/8	1/8	3/16	3/16	1/4	1/4	3/8	3/8
BB	1 3/8	1 3/8	1 13/16	1 13/16	2 5/16	2 11/16	2 11/16	3 3/16
DD	3/8-24	3/8-24	1/2-20	1/2-20	5/8-18	3/4-16	3/4-16	7/8-14
EE	1/2	1/2	1/2	3/4	3/4	1	1	1 1/4
EE ₁	#8	#8	#8	#8	#8	#12	#12	#16
FI	1 3/8	1 3/8	1 3/8	1 21/32	1 21/32	1 15/16	1 15/16	2 13/32
ST	5	5	5 1/4	5 3/4	6 5/8	8 1/4	8 1/4	9 3/8
ZI	4 13/64	4 13/64	4 3/4	5 1/4	5 55/64	7 21/64	7 21/64	8 7/16
ZK	6	6	6 1/2	7	8	10	10	11 1/2
ZN	8 3/8	8 3/8	8 7/8	9 1/2	10 1/8	12	12 1/2	14 1/2
ZO	6 61/64	6 61/64	7 5/16	7 15/16	8 11/64	9 41/64	10 9/64	11 3/4
ZS	9 29/64	9 29/64	10 5/16	10 15/16	11 11/64	13 41/64	14 9/64	16 1/4
ZZ	10 1/8	10 7/8	11 7/8	12 1/2	13 1/8	16	16 1/2	19



**Mounting Style TB
Head Tie Rods Extended**

(Styles TC – Cap Tie Rods Extended and TD – Both Ends Tie Rods Extended are also available. Dimensions “BB” remains the same in all cases.)

**Mounting Style CB –
End Angles**



**Mounting Style TB
Head Tie Rods Extended with
Integral Air-Oil Tank**

**Mounting Style CB –
End Angles with Integral Air-
Oil Tanks**

Dimensions Dependent on Ram Size

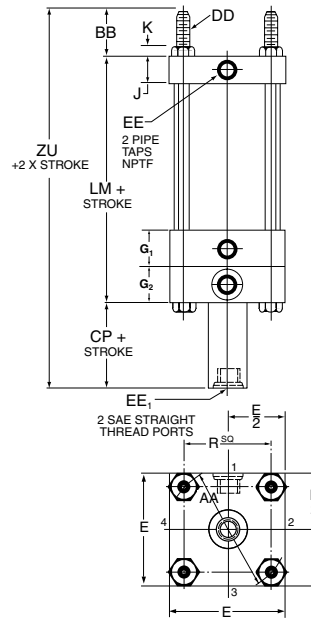
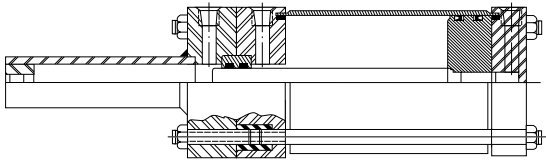
Bore	3 1/4	4	5	6	8	10	12	14
	Series 2A & 3L				Series 2A Only			
G ₂						Ram Sizes		
						1 3/8	2, 2 1/2	2 1/2, 3
LO						1 3/4, 2	3, 3 1/2, 4	3 1/2, 4
						2	2 1/4	2 1/4
CM						1 1/2	1 5/8	1 7/8
SC						9 1/8	10 5/8	11 3/8
SZ						10 3/4	12 7/8	13 3/8
G ₂						Ram Sizes		
						13 3/4	16 7/8	17 3/8
G ₂						Ram Sizes		
						2 1/2, 3 3 1/2, 5 5 1/2	2 1/2, 3 3 1/2	
G ₂	1 3/4	1 3/4	1 3/4	2	2	2 1/4	2 1/4	2 3/4
CM	1 1/8	1 1/8	1 1/8	1 1/2	1 1/2	1 7/8	1 7/8	2 5/8
LO	7 3/4	7 3/4	8	9	9 1/8	10 7/8	11 3/8	13 5/8
SC	10 1/4	10 1/4	10 3/4	11 3/4	12 3/4	15 1/8	15 5/8	18 1/2
SZ	12 3/4	12 3/4	13 3/4	14 3/4	15 3/4	19 1/8	19 5/8	23

For additional information – call your local Parker Cylinder Distributor.

Parker Fluid Power Cylinder to Ram Single Pressure Intensifiers (Series PS)

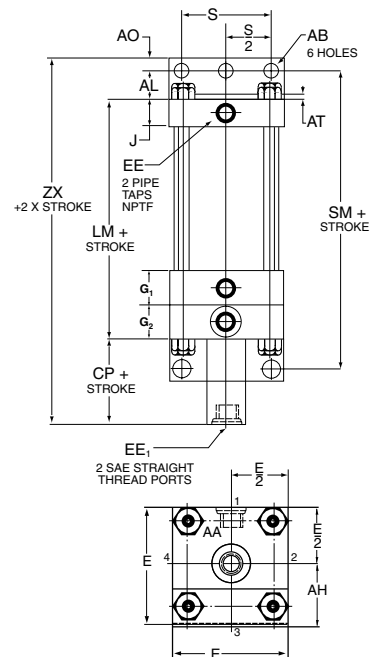
Series PS Intensifier delivers a single pressure through a double acting piston driving a ram. One seal on the ram gland works on the driving piston side; the other on the pressure chamber side. Since this intensifier is neither self-bleeding nor self-filling, for best performance it is recommended that these tasks be performed manually.

Special Note: It is recommended that Series PS single pressure intensifiers be mounted vertically with the pressure chamber up.



Mounting Style TC Cap Tie Rods Extended

(Style TB – Head Rods Extended, and TD – Both Ends Tie Rods Extended, are also available. Dimension “BB” remains the same in all cases.)



Mounting Style CB – End Angles

Dimensions Independent of Ram Size

Bore	3 1/4	4	5	6	8	10	12	14
	Series 2A & 3L				Series 2A Only			
E	3 3/4	4 1/2	5 1/2	6 1/2	8 1/2	10 5/8	12 3/4	14 3/4
G ₁	1 3/4	1 3/4	1 3/4	2	2	2 1/4	2 1/4	2 3/4
J	1 1/4	1 1/4	1 1/4	1 1/2	1 1/2	2	2	2 1/4
K	3/8	3/8	7/16	7/16	9/16	11/16	11/16	3/4
R	2.76	3.32	4.10	4.88	6.44	7.92	9.40	10.90
S	2 3/4	3 1/2	4 1/4	5 1/4	7 1/8	8 7/8	11	12 5/8
AA	3.9	4.7	5.8	6.9	9.1	11.2	13.3	15.4
AB	9/16	9/16	11/16	13/16	13/16	1 1/16	1 1/16	1 5/16
AH	1 15/16	2 1/4	2 3/4	3 1/4	4 1/4	5 5/16	6 3/8	7 3/8
AL	1 1/4	1 1/4	1 3/8	1 3/8	1 13/16	2 1/8	2 1/8	2 7/16
AO	1/2	1/2	5/8	5/8	11/16	7/8	7/8	1 1/16
AT	1/8	1/8	3/16	3/16	1/4	1/4	3/8	3/8
BB	1 3/8	1 3/8	1 13/16	1 13/16	2 5/16	2 11/16	2 11/16	3 3/16
DD	3/8-24	3/8-24	1/2-20	1/2-20	5/8-18	3/4-16	3/4-16	7/8-14
EE	1/2	1/2	1/2	3/4	3/4	1	1	1 1/4
EE ₁	#8	#8	#8	#8	#8	#12	#12	#16
ZU	8 3/8	8 3/8	9 1/6	9 9/16	10 3/16	11 13/16	12 5/16	14 1/16
ZX	8 3/4	8 3/4	9 1/4	9 3/4	10 3/8	12 1/8	12 5/8	14 3/8

Dimensions Dependent on Ram Size

Bore	3 1/4	4	5	6	8	10	12	14
	Series 2A & 3L				Series 2A Only			
					Ram Sizes			
					1 3/8		2, 2 1/2	2 1/2, 3
				1 3/4, 2	1 3/4, 2	3, 3 1/2, 4	3 1/2, 4	
G ₂	-	-	-	-	2	2	2 1/4	2 1/4
CP	-	-	-	-	3/4	3/4	1/2	1/2
LM	-	-	-	-	7 1/8	8 3/8	9 1/8	10 3/8
SM	-	-	-	-	8 3/4	10 5/8	11 1/8	13
					Ram Sizes			
					2 1/2, 3	2 1/2, 3		
				3 1/2, 5	3 1/2,			
				5 1/2				
G ₂	1 3/4	1 3/4	1 3/4	2	2	2 1/4	2 1/4	2 3/4
CP	1	1	1	3/4	3/4	1/2	1/2	0
LM	6	6	6 1/4	7	7 1/8	8 5/8	9 1/8	10 7/8
SM	8 1/2	8 1/2	9	9 3/4	10 3/4	12 7/8	13 3/8	15 3/4

How To Order Parker Fluidpower Intensifiers

How To Order

When ordering Parker Intensifiers, please specify:

- a. Quantity
- b. Driving Cylinder bore size
- c. Mounting style – specify by using style letters given beneath dimension drawings.
- d. Driving cylinder operating fluid medium
- e. Intensifier series (PS, PD or PC)

- f. Intensifier ram diameter (for cylinder-to-ram intensifiers) or Output cylinder bore (for cylinder-to-cylinder units)
- g. Driving cylinder stroke
- h. Input pressure, output pressure and volume

Note: Standard intensifiers are designed for use with petroleum base hydraulic oil. If other fluids will be used, please consult the factory.

Model Numbers

Each Parker Fluidpower Intensifier has a model number. This, along with the driving cylinder bore size and stroke, is an accurate and coded description of the unit. The chart

here shows the elements of these model numbers. It is provided so that you can check our order acknowledgement against your order.

When Ordering Fluid Power Intensifiers By Model Number

Driving Cylinder Bore	Driving Cylinder Mounting Style	Driving Cylinder Operating Fluid		Intensifier Series	Driven Cylinder Series PC Only	Special Features	Intensifier Ram (or Driven Cylinder) Diameter		Driving Cylinder Stroke
3 1/4, 4, 5, 6, 8, 10, 12 or 14	CB, TB, TC, TD, H or HB	2A (Air) or 3L* (HYD.) Specify One Series Only	–	PD, PS, PC	2H (3000 PSI Maximum) or 3L (900 to 2500 PSI Maximum Depending on Bore Size)	S Use Only if Intensifier Varies From Catalog	Specify From Dimension Tables	X	Specify For PD Style See Note Below

NOTE: PD style intensifiers require 2" additional stroke to seal the high pressure end. See Page 61.
*3L supplied with cast iron piston rings unless otherwise specified.

Specifications

Maximum Input Pressures:

Air - 250 psi (17 BAR); Oil - 1000 psi (69 BAR).

Maximum Output Pressures:

5/8" to 3" RAM - 5000 psi (345 BAR);
3 1/2" to 5 1/2" RAM - 3000 psi (206 BAR).

Maximum Operating Temperatures:

-10°F to +165°F (-23°C) to (+74°C).

WARNING

FAILURE OR IMPROPER SELECTION OR IMPROPER USE OF THE PRODUCTS AND/OR SYSTEMS DESCRIBED HEREIN OR RELATED ITEMS CAN CAUSE DEATH, PERSONAL INJURY AND PROPERTY DAMAGE.

This document and other information from Parker Hannifin Corporation, its subsidiaries and authorized distributors provide product and/or system options for further investigation by users having technical expertise. It is important that you analyze all aspects of your application, including consequences of any failure and review the information concerning the product or system in the current product catalog. Due to the variety of operating conditions and applications for these products or systems, the user, through its own analysis and testing, is solely responsible for making the final selection of the products and systems and assuring that all performance, safety and warning requirements of the application are met.

The products described herein, including without limitation, product features, specifications, designs, availability and pricing, are subject to change by Parker Hannifin Corporation and its subsidiaries at any time without notice.

For additional information – call your local Parker Cylinder Distributor.

Hydraulic and Pneumatic Cylinder Appendix Application Engineering Data

Index	Page
Operating Principles and Construction	80
Theoretical Push and Pull Forces for Hydraulic and Pneumatic Cylinders	82
Fluid Service – Industrial Cylinders	
Operating Fluids and Temperature Range	
Water Service	
Warranty	
Prelubricated/Non-Lubricated Air Cylinders	83
Pressure Ratings –	
Series 2A, 2H, 3H, 3L, and VH Cylinders	84
Series HMI	119
Mounting Information –	
Series 2A, 2H, 3L, 3H, and VH Cylinders	85-88
Straight Line Force Transfer (Group 1)	85-88
Straight Line Force Transfer (Group 3)	85-88
Pivot Force Transfer (Group 2)	85-88
Accessories	88
Series HMI	112
Port Data –	
Straight Thread and International Ports	
Oversize NPTF, S.A.E. Ports and Manifold Ports	89-91
Series HMI	121
Rod End Data –	
Piston Rod End Threads, International Rod End Threads, Special Rod Ends, Special Assemblies, Single Acting Cylinders	92
Stroke Data – Tie Rod Supports –	
Stroke Adjusters, Thrust Key Mountings	93
Acceleration and Deceleration Data for 2A, 2H, 3H, 3L, and VH Cylinders	94
Acceleration and Deceleration Data for HMI	118
Stop Tubing – Mounting Classes (For 3H See Page 125) (for HMI see page 115)	95
Cylinder Stroke Selection Chart – Mounting Groups	96
Hydraulic Cylinder Port Sizes and Piston Speed	104-105
Deceleration Force and Air Requirements	
For Pneumatic Cylinders	106
Air Cylinder Cushion Ratings – Air Requirements	107-109
Modifications –	
Metallic Rod Wiper, Gland Drain, Air Bleeds, Rod End Boots, Tandem Cylinders, Duplex Cylinders	110
Cylinder Weights (for HMI see page 122)	111
HMI Technical Data	112-113
Mounting Information	112-113
Push-Pull Force	114
Rod Sizing	115
Stop Tube Selection	115
Stroke Factors	116
Cushioning	117
Pressure Ratings	119
Port Data	115
Seal Data	121
Cylinder Weights	122
Large Bore 3H Technical Data	124-128
Storage, Installation, Mounting Recommendations, Cylinder Trouble Shooting	129
Safety Guidelines for Cylinder Division Products	130

For Cylinder Division Plant Locations – See Page II.

Cylinder Operation

Cylinders are used in the majority of applications to convert fluid energy into straight line motion. For this reason, they are often called linear actuators.

Cylinders are manufactured in a variety of diameters, stroke lengths, and mounting styles. They may be classified, according to construction, into four types: tie-rod, threaded, welded, and flanged. Cylinders are also made using retaining rings.

$$\text{Area} = \frac{\pi D^2}{4} \text{ or } \text{Area} = .7854 \times D^2$$

When calculating force developed on the return stroke, pressure does not act on the rod area of the piston, therefore the rod area must be subtracted from the total piston area.

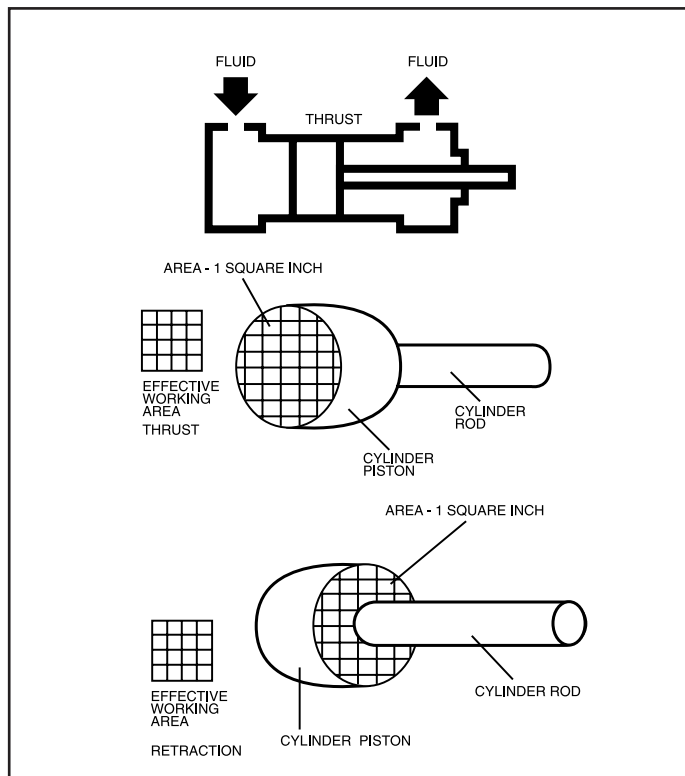
Basic Construction

The major components of a cylinder are the head, cap, tube tie rods, piston, piston rod, rod bearing and seals.

Cylinder Heads and Caps are usually made from rolled steel or cast iron. Some are also from aluminum or bronze.

Cylinder Tubes are usually brass, steel or aluminum. The inside, and sometimes the outside, is plated or anodized to improve wear characteristics and reduce corrosion.

Illustration B-28



Pistons vary in design and materials used. Most are made of cast iron or steel. Several methods of attaching the piston to the rod are used. Cushions, are an available option on most cylinders and most often, can be added with no change in envelope dimensions.

Piston Rods are generally high strength steel, case-hardened, ground, polished and hard chrome plated for wear and corrosion resistance. Corrosive atmosphere conditions usually require rods of stainless steel, which may be chrome plated for wear resistance.

Rod Glands or Bearings are used on the head end of most industrial cylinders to support the piston rod as it travels back and forth. The gland also acts as a retainer for the rod packing and seals. Most are made of ductile iron or bronze and usually are removable without disassembling the entire cylinder.

The gland usually contains a piston rod wiper or scraper on the outboard side to remove dirt and contamination from the rod, and prevent foreign material from being drawn into the packings. A primary seal is used to seal the cylinder pressure.

Seals are generally made from Nitrile or fluorocarbon elastomers, polyurethane, leather or PTFE. The Lipseal™ shape is commonly used for both piston and piston rod seals. Generally, O-Rings are used for static applications such as head to tube, piston to rod, and head to gland. Cup or V-packings are used for sealing piston and piston rod. Piston rings are usually cast iron.

Tie-Rods are usually high tensile steel with either cut or rolled threads, prestressed during assembly. Prestressing with proper torque prevents separation of parts when subjected to pressure and reduces the need for locknuts, although locknuts are sometimes used.

For additional information – call your local Parker Cylinder Distributor.

Fundamental Cylinders

Standard Double-Acting Cylinders

Power stroke is in both directions and is used in the majority of applications.

Single-Acting Cylinders

When thrust is needed in only one direction, a single-acting cylinder may be used. The inactive end is vented to atmosphere through a breather/filter for pneumatic applications, or vented to reservoir below the oil level in hydraulic application.

Double-Rod Cylinders

Used when equal displacement is needed on both sides of the piston, or when it is mechanically advantageous to couple a load to each end. The extra end can be used to mount cams for operating limit switches, etc.

Spring Return, Single-Acting Cylinders

Usually limited to very small, short stroke cylinders used for holding and clamping. The length needed to contain the return spring makes them undesirable when a long stroke is needed.

Ram Type, Single-Acting Cylinders

Containing only one fluid chamber, this type of cylinder is usually mounted vertically. The weight of the load retracts the cylinder. They are sometimes known as “displacement cylinders”, and are practical for long strokes.

Telescoping Cylinders

Available with up to 4 or 5 sleeves; collapsed length is shorter than standard cylinders. Available either single or double-acting, they are relatively expensive compared to standard cylinders.

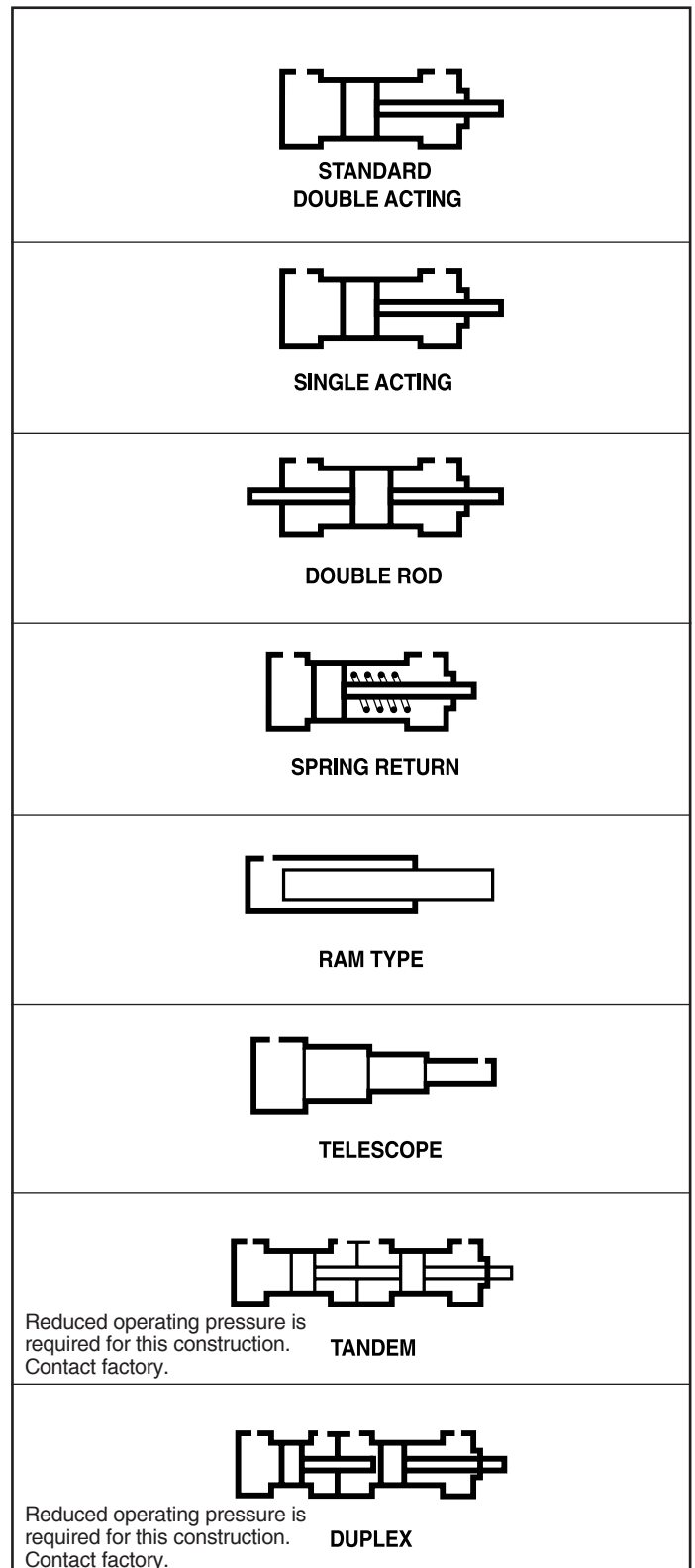
Tandem Cylinders

A tandem cylinder is made up of two cylinders mounted in line with pistons connected by a common piston rod and rod seals installed between the cylinders to permit double acting operation of each. Tandem cylinders allow increased output force when mounting width or height are restricted.

Duplex Cylinders

A duplex cylinder is made up of two cylinders mounted in line with pistons not connected and with rod seals installed between the cylinders to permit double acting operation of each. Cylinders may be mounted with piston rod to piston (as shown) or back to back and are generally used to provide three position operation.

Illustration B29



Hydraulic and Pneumatic Cylinders

Push and Pull Forces

Theoretical Push and Pull Forces for Pneumatic and Hydraulic Cylinders

Push Force and Displacement

Cyl. Bore Size (Inches)	Piston Area (Sq. In.)	Cylinder Push Stroke Force In Pounds At Various Pressures										Cu. Ft. Free Air At 80 Lbs. Pressure, Required To Move Max. Load 1 Inch	Displacement Per Inch Of Stroke (Gallons)
		25	50	65	80	100	250	500	1000	2000	3000		
1	.785	20	39	51	65	79	196	392	785	1570	2355	.00293	.00340
1½	1.767	44	88	115	142	177	443	885	1770	3540	5310	.00659	.00765
2	3.14	79	157	204	251	314	785	1570	3140	6280	9420	.01171	.0136
2½	4.91	123	245	319	393	491	1228	2455	4910	9820	14730	.01830	.0213
3¼	8.30	208	415	540	664	830	2075	4150	8300	16600	24900	.03093	.0359
4	12.57	314	628	817	1006	1257	3143	6285	12570	25140	37710	.04685	.0544
5	19.64	491	982	1277	1571	1964	4910	9820	19640	39280	58920	.07320	.0850
6	28.27	707	1414	1838	2262	2827	7068	14135	28270	56540	84810	.10541	.1224
7	38.49	962	1924	2502	3079	3849	9623	19245	38490	76980	115470	.14347	.1666
8	50.27	1257	2513	3268	4022	5027	12568	25135	50270	100540	150810	.18740	.2176
10	78.54	1964	3927	5105	6283	7854	19635	39270	78540	157080	235620	.29280	.3400
12	113.10	2828	5655	7352	9048	11310	28275	56550	113100	226200	339300	.42164	.4896
14	153.94	3849	7697	10006	12315	15394	38485	76970	153940	307880	461820	.57389	.6664

Deductions for Pull Force and Displacement

Piston Rod Dia. (Inches)	Piston Area (Sq. In.)	Piston Rod Diameter Force In Pounds At Various Pressures										Cu. Ft. Free Air At 80 Lbs. Pressure, Required To Move Max. Load 1 Inch	Displacement Per Inch Of Stroke (Gallons)
		To determine Cylinder Pull Force or Displacement, deduct the following Force or Displacement corresponding to Rod Size, from selected Push Stroke Force or Displacement corresponding to Bore Size in table above.											
		25	50	65	80	100	250	500	1000	2000	3000		
½	.196	5	10	13	16	20	49	98	196	392	588	.00073	.0009
5/8	.307	8	15	20	25	31	77	154	307	614	921	.00114	.0013
1	.785	20	39	51	65	79	196	392	785	1570	2355	.00293	.0034
1⅜	1.49	37	75	97	119	149	373	745	1490	2980	4470	.00554	.0065
1¾	2.41	60	121	157	193	241	603	1205	2410	4820	7230	.00897	.0104
2	3.14	79	157	204	251	314	785	1570	3140	6280	9420	.01171	.0136
2½	4.91	123	245	319	393	491	1228	2455	4910	9820	14730	.01830	.0213
3	7.07	177	354	460	566	707	1767	3535	7070	14140	21210	.02635	.0306
3½	9.62	241	481	625	770	962	2405	4810	9620	19240	28860	.03587	.0416
4	12.57	314	628	817	1006	1257	3143	6285	12570	25140	37710	.04685	.0544
4½	15.90	398	795	1033	1272	1590	3975	7950	15900	31800	47708	.05929	.0688
5	19.64	491	982	1277	1571	1964	4910	9820	19640	39280	58920	.07320	.0850
5½	23.76	594	1188	1544	1901	2376	5940	11880	23760	47520	71280	.08857	.1028
7	38.49	962	1924	2502	3079	3849	9623	19245	38490	76980	115470	.14347	.1666
8½	56.75	1419	2838	3689	4540	5675	14187	28375	56750	113500	170250	.21157	.2455

General Formula

The cylinder output forces are derived from the formula:

$$F = P \times A$$

Where F = Force in pounds.
P = Pressure at the cylinder in pounds per square inch, gauge.
A = Effective area of cylinder piston in square inches.

Free Air refers to normal atmospheric conditions of the air at sea level (14.7 psi). Use above cu. ft. free air required data to compute CFM required from a compressor at 80 psi. Cu. ft. of free air required at other pressures can be calculated using formula below.

$$V_1 = \frac{(P_2 + 14.7) V_2}{14.7}$$

Where V₁ = Free air consumption per inch of stroke (cubic feet).

V₂ = Cubic feet displaced per inch of stroke.

P₂ = Gauge pressure required to move maximum load.

For additional information – call your local Parker Cylinder Distributor.

Hydraulic and Pneumatic Cylinders

Operating Fluids and Seals Temperature Range/Water Service/Warranty Pre-Lubricated, Non-Lubricated Cylinders

Operating Fluids and Temperature Range

Fluidpower cylinders are designed for use with pressurized air, hydraulic oil and fire resistant fluids, in some cases special seals are required.

Standard Seals (class 1)

Class 1 seals are what is normally provided in a cylinder unless otherwise specified. They are intended for use with fluids such as: air, nitrogen, mineral base hydraulic oil or MIL-H-5606 within the temperature range of -10°F (-23°C) to +165°F (+74°C). Generally they are nitrile except for piston rod seals in hydraulic cylinders. However the individual seals may be nitrile (Buna-N) enhanced polyurethane, polymyte, P.T.F.E. or filled P.T.F.E.

Water Base Fluid Seals (class 2)

Generally class 2 seals are intended for use with water base fluids within the temperature of -10°F (-23°C) to +165°F (+74°C) except for High Water Content Fluids (H.W.C.F.) in which case Class 6 seals should be used. Typical water base fluids are: Water, Water-Glycol, Water-in Emulsion, Houghto-Safe 27, 620, 5040, Mobil Pyrogard D, Shell Iru 905, Ucon Hydrolube J-4. These seals are nitrile. Lipseal will have polymyte or P.T.F.E. back-up washer when required. O-rings will have nitrile back-up washers when required.

Ethylene Propylene (E.P.R.) Seals (class 3)

Class 3 seals are intended for use with some Phosphate Ester Fluids between the temperatures of -10°F (-23°C) to +130°F (+54°C). Typical fluids compatible with E.P.R. seals are Skydrol 500 and 700. E.P.R. are Ethylene Propylene. Lipseals will have a P.T.F.E. back-up washer when required. O-rings will have EPDM back-up washers when required. **Note:** E.P.R. seals are not compatible with mineral base hydraulic oil or greases. Even limited exposure to these fluids will cause severe swelling. P.T.F.E. back-up washer may not be suitable when used in a radiation environment.

Low Temperature Nitrile Seals (class 4)

Class 4 seals are intended for low temperature service with the same type of fluids as used with Class 1 seals within the temperature range of -50°F (-46°C) to +150°F (+66°C). Lipseals will have leather, polymyte or P.T.F.E. back-up washers when required. O-rings will have nitrile back-up washers when required. **Note:** Certain fluids may react adversely with Class 4 seals compared to Class 1 seals.

Fluorocarbon Seals (class 5)

Class 5 seals are intended for elevated temperature service or for some Phosphate Ester Fluids such as Houghto-Safe 1010, 1055, 1120; Fyrquel 150, 220, 300, 350; Mobile Pyrogard 42, 43, 53, and 55. **Note:** In addition, class 5 seals can be used with fluids listed below under standard service. However, they are not compatible with Phosphate Ester Fluids such as Skydrols. Class 5 seals can operate with a temperature range of -10°F (-23°C) to +250°F (+121°C). Class 5 seals may be operated to +400°F (+204°C) with limited service life. For temperatures above +250°F (+120°C) the cylinder must be manufactured with non-studded piston rod and thread and a pinned piston to rod connection. Class 5 Lipseals will have P.T.F.E. back-up washers when required. O-rings will have fluorocarbon back-up when required.

Warning

The piston rod stud and the piston rod to piston threaded connections are secured with an anaerobic adhesive which is temperature sensitive. Cylinders specified with Class 5 seals are assembled with anaerobic adhesive having a maximum temperature rating of +250°F (+74°C). Cylinders specified with all other seal compounds are assembled with anaerobic adhesive having a maximum operating temperature rating +165°F (+74°C). These temperature limitations are necessary to prevent the possible loosening of the threaded connections. Cylinders originally manufactured with class 1 seals (Nitrile) that will be exposed to ambient temperatures above +165°F (+74°C) must be modified for higher temperature service. Contact the factory immediately and arrange for the piston to rod and the stud to piston rod connections to be properly re-assembled to withstand the higher temperature service.

H.W.C.F. Seals (class 6)

Class 6 seals are intended for High Water Content Fluids (H.W.C.F.) such as Houghto Hydrolube 120B and Sonsol Lubrizol within the temperature range of +40°F (+4°C) to +120°F (+49°C). Class 6 seals are special nitrile compound dynamic seals. Lipseals will have P.T.F.E. and/or polymyte back-up washers when required. O-rings will have nitrile back-up washers when required. Because of the viscosity of these fluids, cylinders specified with class 6 seals, will also be modified to have lip seal piston seals and straight cushions.

Hi-Load Seals

Hi-load seals consist of one or two filled PTFE dynamic piston seals with an elastomer expander underneath. Hi-load piston arrangement normally consists of a wear ring on each end of the

piston with the seals in the middle. These types of seals are virtually leak free seals under static conditions and can tolerate high pressure. The wear rings on the piston can also tolerate high side loads. The dynamic portion of the seal is bronze filled PTFE and compatible with all conditions and fluids listed on this page. However, carbon filled PTFE will provide better seal life when used with class 6 fluids. A nitrile expander will be provided unless Class 3 or 5 seals are specified. In those cases the expander will be of E.P.R. or fluorocarbon respectively. **Note:** It may be necessary to cycle the piston seals 40 or 50 times before achieving leakage free performance.

Lipseal Pistons

Under most conditions lipseals provide the best all around service for pneumatic applications. Lipseals with a back-up washer are often used for hydraulic applications when virtually zero static leakage is required. Lipseals will function properly in these applications when used in conjunction with moderate hydraulic pressures. A high load piston option is recommended when operating at high pressures and especially with large bore hydraulic cylinders.

Low Friction Hydraulic Seals

Low Friction hydraulic seals are available as an option for both piston and rod seals for 2H, 3H and 3L Series cylinders. They are sometimes used when a cylinder is controlled by servo or proportional valve. The seal assembly itself is a two piece assembly consisting of a filled PTFE dynamic seal with an elastomer expander. A piston seal assembly consists of one seal assembly in the middle of the piston with a filled PTFE wear ring on each side of the piston. The piston rod seal assembly consists of two seal assemblies and an elastomer wiper seal. The filled PTFE seals are compatible with the fluids listed on this page and provide virtually leak free sealing. The expanders and rod wiper will be fluorocarbon unless E.P.R. or fluorocarbon seals are specified. In those cases the expanders and wiper will be E.P.R. and fluorocarbon respectively. When specifying low friction seals specify if piston, piston rod seals or both are required. **Note:** It may be necessary to cycle these seals 40 or 50 times before achieving leakage free performance.

Cast Iron Piston Rings

Cast iron rings are the standard piston seals for 2H and 3L Series cylinders. They offer the widest operating conditions by tolerating high operating pressures, wide temperature range and are compatible with most fluids. The only drawback of cast iron rings is that they allow a small amount of leakage. The leakage for a 4" bore cylinder, operating at 2000 psi, with mineral base hydraulic fluid will be less than 10in³/min. Leakage will increase as pressure, bore size and viscosity of the operating hydraulic fluid increases. For these reasons cast iron rings are not recommended when using water or (H.W.C.F.) fluids.

Water Service

For 3L series cylinders can be modified to make them more suitable for use with water as the operating medium. The modifications include chrome-plated cylinder bore; electroless nickel-plated head, cap and piston; chrome-plated 17-4 stainless steel piston rod; chrome plated cushion sleeve or cushion spear.

Modified cylinders may also be used for higher operating pressures, up to 2000 psi, depending on bore size. See pressure rating for Hydraulic Cylinders on the next page. 3L, 2H and 3H Series hydraulic cylinders can also be modified for water operation and supplied with chrome-plated cylinder bore; electroless nickel-plated head, cap and piston; chrome-plated precipitation hardened stainless steel piston rod, chrome-plated cushion sleeve or cushion spear. When high water base fluids are the operating medium, hydraulic cylinders are usually supplied with high water base rod wiper and seals. Water and high water base fluid operated cylinders are best used on short stroke applications or where high pressure is applied only to clamp the load.

Warranty

Parker Hannifin will warrant cylinders modified for water or high water content fluid service to be free of defects in materials or workmanship, but cannot accept responsibility to premature failure due to excessive wear due to lack of lubricity or where failure is caused by corrosion, electrolysis or mineral deposits within the cylinder.

Pre-Lubricated Air Cylinders

Parker Hannifin air cylinders are factory pre-lubricated with Lube-A-Cyl applied to seals, piston, cylinder bore, piston rod and gland surfaces, provides for normal cylinder operations with lubricated air.

Non-Lubricated Air Cylinders

For heavier duty operation, Series 2AN is recommended for non-lubricated air service. Series 2AN includes an innovative special composite material wick and ring reservoir assembly in each seal groove to retain the extreme pressure lubricant applied at time of assembly. This lubricant coats the cylinder bore and piston rod and mating surfaces.

Class No.	Typical Fluids	Temperature Range
1 (Standard) (Nitrile Polyurethane)	Air, Nitrogen Hydraulic Oil, Mil-H-5606 Oil	-10°F (-23°C) to +165°F (+74°C)
2 Optional Water Base Fluid Seal	Water, Water-Glycol, H.W.C.F. — See Class 6 below. Water-in-Oil Emulsion Houghto-Safe, 271, 620, 5040 Mobil Pyrogard D, Shell Iru 905 Ucon Hydrolube J-4	-10°F (-23°C) to +165°F (+74°C)
3 Special (E.P.R.) (At extra cost) Note: (E.P.R.) seals are not compatible with Hydraulic Oil	Some Phosphate Ester Fluids Skydrol 500, 7000	-10°F (-23°C) to +130°F (+54°C)
4 Special (Nitrile) (At extra cost)	Low Temperature Air or Hydraulic Oil	-50°F (-46°C) to +150°F (+66°C)
5 Optional (At extra cost) (Fluorocarbon Seals)	High Temperature Houghto-Safe 1010, 1055, 1120 Fyrquel 150, 220, 300, 550 Mobil Pyrogard 42,43,53,55	See above paragraph on Fluorocarbon seals for recommended temperature range.
Note: Fluorocarbon seals are not suitable for use with Skydrol fluid, but can be used with hydraulic oil if desired		
6 Optional (HWCF) (At extra cost)	Houghton, Hydrolube 120B Sonsol Lubrizol, for other HWCF — consult factory.	+40°F (+4°C) to +120°F (+49°C)

For Cylinder Division Plant Locations – See Page II.



C

Hydraulic and Pneumatic Cylinders

Cylinder Pressure Ratings

Application Data

The proper application of a fluid power cylinder requires consideration of the operating pressure, the fluid medium, the mounting style, the length of stroke, the type of piston rod connection to

the load, thrust or tension loading on the rod, mounting attitude, the speed of stroke, and how the load in motion will be stopped. Information given here provides pressure rating data for pneumatic and hydraulic cylinders.

Pneumatic Cylinders

Standard operating fluid — filtered air which is free of moisture. 2A and 2AN Series cylinders are recommended for maximum 250 psi heavy duty service; Series MA industrial cylinders may be used at pressures up to 200 psi.

Pressure Ratings Fluid Medium Air

Bore Size (Inches)	Standard Piston Rod Diameters (Inches)	Series 2A, 2AN Max. Heavy-Duty Operating Pressure (PSI)	Series MA Maximum Operating Pressure (PSI)
1	1/2	250	—
1 1/2	5/8	250	200
2	5/8	250	200
2 1/2	5/8	250	200
3 1/4	1	250	200
4	1	250	200
5	1	250	200
6	1 3/8	250	—
8	1 3/8	250	—
10	1 3/4	250	—
12	2	250	—
14	2 1/2	250	—

Hydraulic Cylinders (Heavy duty)

Standard operating fluid - clean, filtered hydraulic oil. Pressure ratings for heavy duty hydraulic cylinders are shown in the following table:

Pressure Ratings

Series 2H, 3H (7" & 8"), VH and HD hydraulic cylinders are recommended for pressures to 3000 p.s.i. for heavy-duty service with hydraulic oil. The 4:1 design factor ratings shown are based on tensile strength of material and are for code 1 rod dia. only. The rating is conservative for continuous severe applications. Design factors at other pressures can be calculated from this rating. In addition, mounting styles, stroke, etc., should be considered because of the limiting effect they may have on these ratings.

Maximum Pressure Ratings

Bore Size (Inches)	Rod Diameter (Inches)	4:1* Design Factor (Tensile) (PSI)	Heavy-Duty Service (PSI)
1 1/2	5/8	2530	3000
2	1	2950	3000
2 1/2	1	2340	3000
3 1/4	1 3/8	2250	3000
4	1 3/4	2130	3000
5	2	2170	3000
6	2 1/2	2270	3000
7	3	2030	3000
8	3 1/2	2040	3000

*Applies to all mountings except J and H. See Series 2H

Hydraulic Cylinders (Medium duty)

Pressure ratings for "Series 3L" hydraulic cylinders vary by bore size and rod size as shown in table below. For pressures higher than those indicated, Series 2H heavy duty cylinders should be used.

Series 3L Hydraulic Cylinders Maximum Pressure Rating

Bore Size	Rod No.	Rod Diameters	Pressure Rating At 4:1 Design* Factor (On Tensile)
1	1	1/2	1900
	2	5/8	1900
1 1/2	1	5/8	2000
	2	1	2300
2	1	5/8	1100
	3	1	2000
	2	1 3/8	2000
2 1/2	7	5/8	700
	1	1	1400
	3	1 3/8	1400
	2	1 3/4	1400
3 1/4	1	1	1300
	3	1 3/8	1300
	4	1 3/4	1300
	2	2	1300
4	7	1	900
	1	1 3/8	900
	3	1 3/4	900
	4	2	900
	2	2 1/2	900
5	7	1	600
	8	1 3/8	950
	1	1 3/4	950
	3	2	950
	4	2 1/2	950
	5	3	950
6	2	3 1/2	950
	7	1 3/8	700
	1	1 3/4	700
	3	2	700
	4	2 1/2	700
	5	3	700
	6	3 1/2	700
8	2	4	700
	7	1 3/8	400
	8	1 3/4	650
	1	2	650
	3	2 1/2	650
	4	3	650
	5	3 1/2	650
	6	4	650
	9	4 1/2	650
	0	5	650
2	5 1/2	650	

*Applies to all mountings except J. See Series 3L

For additional information – call your local Parker Cylinder Distributor.

Hydraulic and Pneumatic Cylinders

Mounting Information

Single rod type, fluid power cylinders are commonly available in 20 standard mounting styles ranging from head or cap end mounts to intermediate mounts. Many mounting styles are also available in double rod type cylinders. Refer to NFPA Std. B93.15-1981 or Parker air or hydraulic cylinder catalogs for detailed description.

Standard mounting styles for fluid power cylinders fall into three basic groups. The groups can be described as follows.

Group 1 – Straight line force transfer with fixed mounts which absorb force on cylinder centerline.

Group 3 – Straight line force transfer with fixed mounts which do not absorb force on cylinder centerline.

Group 2 – Pivot force transfer with pivot mounts which absorb force on cylinder centerline and permit cylinder to change alignment in one plane.

Cylinder mounting directly affects the maximum pressure at which the fluid power cylinder can be used, and proper selection of mounting style will have a bearing on cylinder operation and service life. Whether the cylinder is used in thrust or tension, its stroke length, piston rod diameter and the method of connection to load also must be considered when selecting a mounting style.

Fluidpower cylinders are offered for use with air pressure up to 250 psi; medium-duty hydraulic, depending on bore size, up to 2200 psi; and heavy-duty hydraulic service of up to 3000 psi. The industrial tie rod types, known as NFPA cylinders, with square steel heads and caps, plus steel mountings lend themselves to standardized mounts which are similar in appearance for both air and hydraulic cylinders.

Because of the all steel construction, Parker air cylinders have a design factor of better than 4:1, and the various mounts can be used without limitations up to the cylinder manufacturer's maximum rated pressure. Medium-duty and heavy-duty hydraulic cylinders, in some mounting styles, may not be used at full rated pressure, depending on mounting style, stroke length and thrust or tension loading, as discussed in the following:

Straight Line Force Transfer (Group 1)

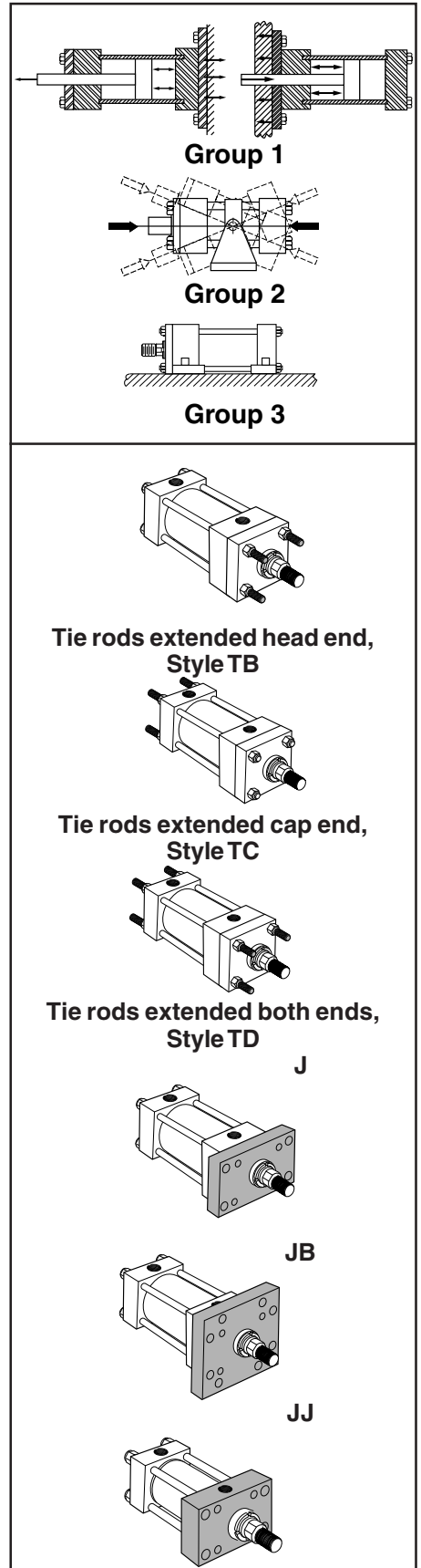
Cylinders with fixed mounts (Group 1) which absorb the force on centerline are considered the best for straight line force transfer. Tie rods extended, flange or centerline lug mounts are symmetrical and allow the thrust or tension forces of the piston rod to be distributed uniformly about the cylinder centerline. Mounting bolts are subjected to simple tension or simple shear without compound forces, and when properly installed damaging cylinder bearing sideloading is kept to a minimum.

Tie Rods Extended are considered to be of the centerline mount type. The cylinder tie rods are designed to withstand maximum rated internal pressure and can be extended and used to mount the cylinder at cap or head end. This often overlooked mounting will securely support the cylinder when bolted to the panel or machine member to which the cylinder is mounted. The torque value for the mounting nuts should be the same as the tie rod nut torque recommended by the cylinder manufacturer. Cylinders are available with tie rod extended both ends. In such applications one end is used for mounting and the opposite end to support the cylinder or to attach other machine components.

Tie rod mount cylinders may be used to provide thrust or tension forces at full rated pressures.

Tie rods extended head end (Parker Style TB), cap end (Parker Style TC) or extended both ends (Parker Style TD) are readily available and fully dimensioned in Parker cylinder product catalogs.

Flange Mount cylinders are also considered to be centerline mount type and thus are among the best mounts for use on straight line force transfer applications. The machine designer has a choice of three mounting styles at each end, such as head rectangular flange (Style J), head square flange (Style JB), head rectangular (Style JJ), cap rectangular flange (Style H), cap square flange (Style HB), and cap rectangular (Style HH). Selection of a flange mounting style depends, in part, upon whether the major force applied to the load will result in compression (push) or tension (pull) stresses of the cylinder piston rod. Cap end mounting styles are recommended for thrust loads (push), while head end mounting styles are recommended where the major load puts the piston rod in tension (pull).



For Cylinder Division Plant Locations – See Page II.

Mounting Information

Flange mounts are best used when end face is mounted against the machine support member. (Fig. 1) This is especially true where head rectangular flange type (Style J) is used with major load in tension. In this mode, the flange is not subjected to flexure or bending stresses, nor are the mounting bolts stressed to unusually high levels. The use of head rectangular flange (Style J) mount with major load in compression (see Fig. 2) is not recommended except on reduced pressure systems. The use of Style J mount in compression subjects the flange to bending and the mounting bolts to tension stresses, which could result in early fatigue failure. For maximum allowable pressure with Style J head rectangular mount used for compression (push) or rear face of flange mounted, see pressure rating in product catalogs for medium- or heavy-duty hydraulic cylinders. For applications where push forces require full rated system pressure, head square flange (Style JB) or head rectangular (Style JJ) mounts are recommended. The best head style mounting for either push or pull applications at full rated pressure is Style JJ.

Style JJ mount has the same mounting hole pattern and rectangular dimensions as the Style J mount. To substitute the head rectangular Style JJ mount for the head rectangular flange, Style J mount, it is necessary to use spacers to fill in the cataloged "F" dimension previously occupied by the "J" flange. The spacers are installed as shown in Fig. 3.

Cap flange mounts are also best used when end face is mounted against the machine support member. The use of cap rectangular flange mount, Style H, is not recommended on applications where the major load is in tension (pull) except at reduced pressure. For maximum allowable pressure with cap rectangular flange, Style H, used in tension application (pull) or front of flange mounted, see maximum pressure rating in product catalogs for medium- and heavy-duty hydraulic cylinders.

For applications where pull forces involved require full rated system pressure, cap square flange, Style HB, or cap rectangular, Style HH, mounts are recommended. The best cap style mounting for either push or pull applications at full rated pressure is the cap rectangular Style HH.

The Style HH mount has the same mounting hole pattern and rectangular dimensions as the Style H mount. To substitute the Style HH for Style H, it is necessary to use spacers or order a cylinder with piston rod extension to make up for the cataloged "F" dimension previously occupied by the "H" flange.

Straight Line Force Transfer (Group 3)

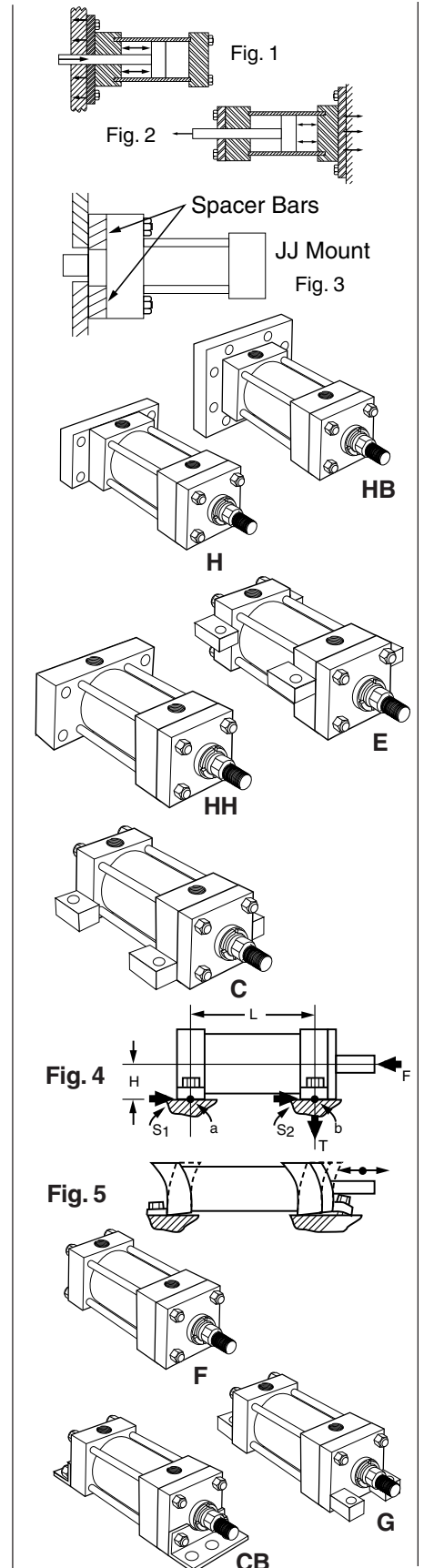
Centerline Lug Mount cylinders are considered fixed mount types which absorb force on centerline and are used on straight line force transfer applications. They are least popular of the fixed mount type cylinders. When used at higher pressures or under shock conditions, the lugs should be dowel-pinned to the machine. (See Page 109 for dowel pin uses for fixed mount cylinders.)

Side Mount cylinders are considered to be fixed mounts which do not absorb force on their centerline. Cylinders of this group have mounting lugs connected to the ends, and one style has side tapped holes for flush mounting. The plane of their mounting surfaces is not through the centerline of the cylinder, and for this reason side mounted cylinders produce a turning moment as the cylinder applies force to the load. (Fig. 4) This turning moment tends to rotate the cylinder about its mounting bolts. If the cylinder is not well secured to the machine member on which it is mounted or the load is not well-guided, this turning moment results in side load applied to rod gland and piston bearings. To avoid this problem, side mount cylinders should be specified with a stroke length at least equal to the bore size.

Shorter stroke, large bore cylinders tend to sway on their mountings when subjected to heavy loads, especially side end lug or side and angle mounts. (Fig. 5)

Side mount cylinders are available in several mounting styles, such as side lug (Style C), Side tapped (Style F), side end lug (Style G) and side end angle (Style CB). Of these, the side lug mount is the most popular and reliable, since the mounting lugs are welded to head and cap to form an integral unit at each end.

Side tapped mount is the choice when cylinders must be mounted side by side at minimum center-to-center distance. Another narrow side mount style is the side end lug mount which has lugs threaded to the tie rods. Thus the end lugs serve a dual function of holding the cylinder together and act as a means of mounting. This mounting style should be used only on medium- to light-duty applications, because the end lugs are subjected to compound stresses which could result in early failure.



For additional information – call your local Parker Cylinder Distributor.

Hydraulic and Pneumatic Cylinders

Mounting Information

The side end angle mount is also a narrow mount type, but is the weakest of the side mount styles. Its use should be limited to a maximum pressure of 500 psi and minimum stroke length of two times the bore size. For pressure rating of longer strokes, consult the cylinder manufacturer.

Consideration should also be given to design of the machine frame used to support cylinders non-centerline mount, since stronger members are often required to resist bending moments. (See Fig. 6)

Side mount cylinders depend wholly on the friction of their mounting surfaces in contact with the machine member to absorb the force produced. Thus the torque applied to the mounting bolts is an important consideration. Since the mounting bolts are the same diameter as the tie rods for a given cylinder, it is recommended that the torque applied to the mounting bolts be the same as the tie rod torque recommended by the cylinder manufacturer for the given bore size.

For heavy loads or high shock conditions, side mounted cylinders should be held in place to prevent shifting by keying or pinning. A shear key, consisting of a plate extending from side of cylinder, can be supplied on most cylinders. (Fig. 7) This method may be used where a keyway can be milled into a machine member. It serves to take up shear loads and also provides accurate alignment of the cylinder.

Side lug (and centerline lug) mounts are designed so as to allow dowel pins to be used to pin the cylinder to the machine member. Pins, when used, are installed on both sides of the cylinder but not at both ends. (See Fig. 8)

The use of a separate shear key is fairly common. It should be placed at the proper end of the cylinder to absorb the major load. (see Fig. 9)

Side mount cylinders should not be pinned or keyed at both ends. Changes in temperature and pressure under normal operating conditions cause the cylinder to increase (or decrease) in length from its installed length and therefore must be free to expand and contract. If pinned or keyed at both ends, the advantages of cylinder elasticity in absorbing high shock loads will be lost. (Fig. 10)

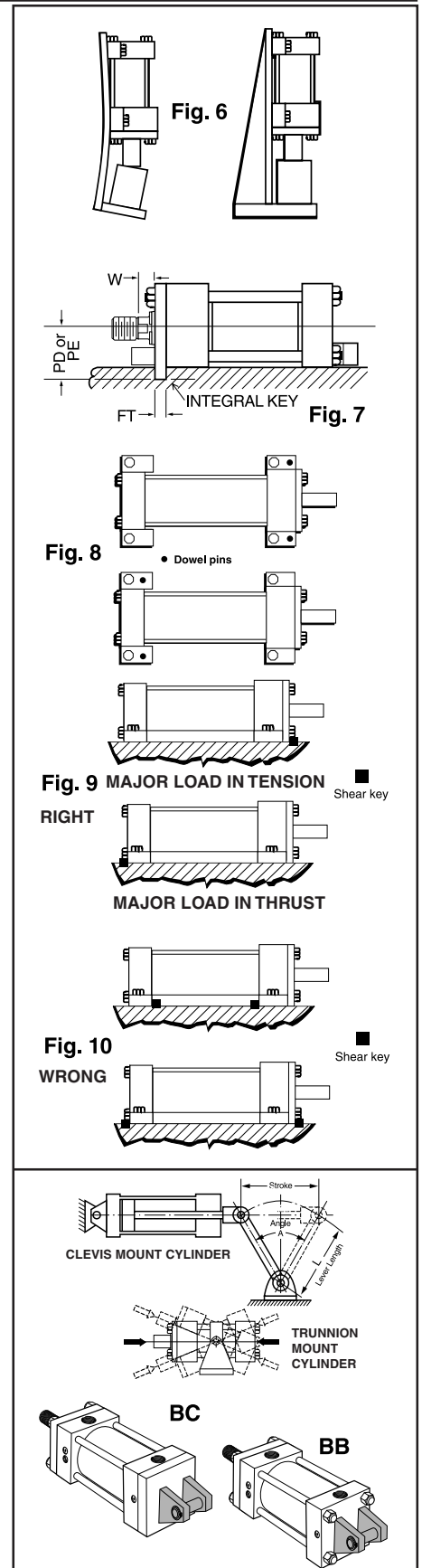
If high shock loads are the major consideration, the cylinder should be mounted and pins or shear key so located as to take full advantage of the cylinder's inherent elasticity. For major shock load in tension, locate key at rear face of head or pin the head in place. For major shock load in thrust, pin cap in place or locate key at front face of cap.

Pivot Force Transfer (Group 2)

Cylinders with pivot mounts which absorb force on centerline should be used on applications where the machine member to be moved travels in a curved path. There are two basic ways to mount a cylinder so that it will pivot during the work cycle: clevis or trunnion mounts, with variations of each. Pivot mount cylinders are available in cap fixed clevis (Style BB), cap detachable clevis (Style BC), cap spherical bearing (Style SB), head trunnion (Style D), cap trunnion (Style DB), and intermediate fixed trunnion (Style DD).

Pivot mount cylinders can be used on tension (pull) or thrust (push) applications at full rated pressure, except long stroke thrust cylinders are limited by piston rod column strength. See Piston Rod Selection Chart on Page 83.

Clevis or single ear mounts are usually an integral part of the cylinder cap (though one style is detachable) and provide a single pivot point for mounting the cylinder. A pivot pin of proper length and of sufficient diameter to withstand the maximum shear load developed by the cylinder at rated operating pressure is included as a part of the clevis mount style. The fixed clevis mount, Style BB, is the most popular of the pivot force transfer types and is used on applications where the piston rod end travels in a curved path in one plane. It can be used vertically or horizontally or any angle in between. On long stroke push applications it may be necessary to use a larger diameter piston rod to prevent buckling or stop tube to achieve additional stability in the extended position. Fixed clevis mount cylinders will not function well if the curved path of piston rod travel is other than one plane. Such an application results in misalignment and causes the gland and piston bearing surfaces to be subjected to unnecessary side loading. For applications where the piston rod will travel in a path not more than 3° either side of the true plane motion, a cap spherical bearing mount is recommended. A spherical bearing rod eye should be used at rod end. Most spherical bearing mounts have limited pressure ratings. Consult cylinder manufacturer's product catalog.



Mounting Information

Cap detachable clevis mounts are usually not available in heavy-duty hydraulic cylinders. They are used more for air or medium hydraulic service. Cap detachable clevis mounts are longer, centerline of pivot pin to shoulder of piston rod, than fixed clevis mount in any given bore size. They are most often specified to avoid port relocation charges. Application parameters are the same as described for fixed clevis mounting.

Trunnion mount cylinders are a second type of pivot mounts used on applications where the piston rod travels in a curved path in one plane. Three styles are available – head trunnion (Style D), cap trunnion (Style DB) and intermediate fixed trunnion (Style DD). Trunnion pins are designed for shear loads only and should not be subjected to bending stresses. Pillow blocks, rigidly mounted with bearings at least as long as the trunnion pins, should be used to minimize bending stresses. The support bearings should be mounted as close to the head, cap or intermediate trunnion shoulder faces as possible.

Cap end trunnion mounts are used on cylinder applications similar to fixed clevis mounts, and the same application data applies.

Head trunnion mount cylinders can usually be specified with smaller diameter piston rods than cylinders with pivot point at cap end or at an intermediate position. This is evident in data shown in the Piston Rod-Stroke Selection Chart. On head end trunnion mount, long stroke, cylinder applications consideration should be given to the overhanging weight at cap end of cylinder. To keep trunnion bearing loading within limits, stroke lengths should be not more than 5 times the bore size. If cylinder stroke is greater than 5 times the bore size and piston speed exceeds 35 ft/minute, consult factory.

Intermediate fixed trunnion mount is the best of the trunnion mount types. The trunnion can be located so as to balance the weight of the cylinder, or it can be located at any point between the head or cap to suit the application. It is of fixed design, and the location of the trunnion must be specified (X1 dimension) at time of order. The location cannot be easily changed once manufactured.

Thrust exerted by a pivot transfer cylinder working at an angle is proportional to the angle of the lever arm which it operates. In Fig. 12 that vector force, T, which is at right angle to the lever axis, is effective for turning the lever. The value of T varies with the acute angle A between cylinder centerline and lever axes. To calculate effective thrust T, multiply cylinder thrust by the power factor shown in table below.

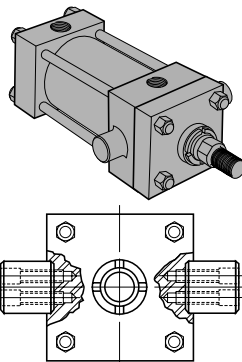
Accessories

Rod clevises or rod knuckles are available for use with either fixed or pivot mount cylinders. Such accessories are usually specified with pivot mount cylinders and are used with pivot pin centerline in same axis as pivot pin centerline on cylinder. Pivot pins for accessories must be ordered separately.

Pin size of rod clevis or rod knuckle should be at least equal in diameter to the pin diameter of the cap fixed clevis pin for the cylinder bore size specified. Larger accessories are more costly and usually result in a mis-match of pin diameters, especially when used with oversize piston rods.

Removable Trunnion Pins

Removable trunnion pins are a convenience when machine structures or confined space prohibit the use of separate pillow blocks situated close to the cylinder sides. Parker offers a removable pin design in 1-1/2" through 8" bores sizes. (See following table for recommended maximum operating pressure.) Mounting pin diameters and lengths are identical to those in Mounting Styles D and DB for any given bore size. These removable trunnion pins can be provided on the cap end (Style DBR) of Series "2A" cylinders with any rod diameter. They can also be provided on the head end (Style DR) of cylinders with standard rods.



Spherical Bearing Mount

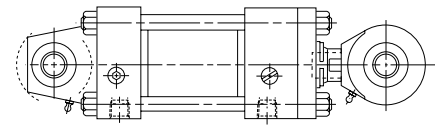
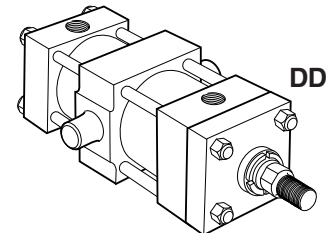
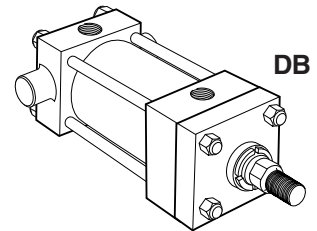
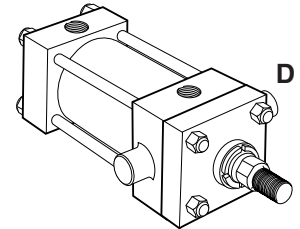


Fig. 11



Clevis Mount Cylinder

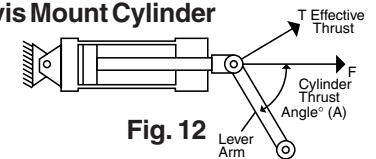


Fig. 12

Power Factor Table

Angle A Degrees	Pwr. Factor (SIN A)	Angle A Degrees	Pwr. Factor (SIN A)
5	0.087	50	0.766
10	0.174	55	0.819
15	0.259	60	0.867
20	0.342	65	0.906
25	0.423	70	0.940
30	0.500	75	0.966
35	0.573	80	0.985
40	0.643	85	0.996
45	0.707	90	1.000

Pressure Ratings – Removable Trunnion Pin Mounting

Bore Size	1"	1 1/2"	2"	2 1/2"	3 1/4"	4"	5"	6"	8"
Std. Pressure Rating (PSI)	–	250	250	250	250	250	150	200	125
Extreme Pressure Rating	–	450	400	275	375	250	150	200	125
Hydraulic Rating (PSI)	–	750	700	450	625	400	250	325	200

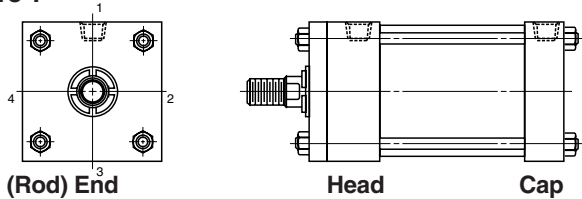
For additional information – call your local Parker Cylinder Distributor.

Ports

Parker hydraulic and pneumatic cylinders can be supplied with S.A.E. straight O-ring ports or N.P.T.F. pipe thread ports. For the type of port recommended and port size, see respective product catalogs. If specified on your order, extra ports can be provided on the sides of heads or caps that are not occupied by mountings or cushion valve on all cylinders except Series C and S.

Standard port location is position 1 as shown on line drawings in product catalog and Figure 1 below. Cushion adjustment needle and check valves are at positions 2 and 4 (or 3), depending on mounting style. Heads or caps which do not have an integral mounting can be rotated and assembled with ports at 90° or 180° from standard position. Mounting styles on which head or cap can be rotated at no extra charge are shown in Table A below. To order, specify by position number. In such assemblies the cushion adjustment needle and check valve rotate accordingly, since their relationship with port position does not change.

Figure 1



Head (Rod) End

Head

Cap

Table A

Mounting Style	Port Position Available	
	Head End	Cap End
T, TB, TC, TD, BC, CB, H, HB, J, JB, DD	1, 2, 3 or 4	1, 2, 3 or 4
BB, DB, HH	1,2, 3 or 4	1 or 3
D, JJ	1 or 3	1, 2, 3 or 4
C, E, F, G	1	1

Applies to Series MA, MAN, 2A, 2AN, 3L, DH, 3H, VH and HD.

Cylinder Port Options

- Option "T" SAE Straight Thread O-Ring Port. Recommended for most hydraulic applications.
- Option "U" Conventional NPTF Ports (Dry-Seal Pipe Threads). Recommended for pneumatic applications only.
- Option "R" BSPP Port (British Parallel Thread). ISO 228 port commonly used in Europe. See Figure R-G on pg. C-115.
- Option "P" SAE Flange Ports Code 61 (3000 psi). Recommended for hydraulic applications requiring larger port sizes.
- Option "B" BSPT (British Tapered Thread).
- Option "G" Metric Straight Thread Port similar to Option "R" with metric thread. Popular in some European applications. See Figure R-G on pg. C-115.
- Option "Y" ISO-6149-1 Metric Straight Thread Port. Recommended for all hydraulic applications designed per ISO standards. See Figure Y on pg. C-115.

Ports can be supplied at positions other than those shown in Table A at an extra charge. To order, specify port position as shown in Figure 1.

Available Ports for 2H, 3H, HD Series Cylinders

Bore	"T" SAE Standard	"U" NPTF Pipe Thread	"R" BSPP Parallel Thread	"P" SAE 4-Bolt Flange Nom. Size	"B" BSPT Taper Thread	"G" Metric Straight Thread	"Y" ISO-6149-1 Metric Straight Thread
1 1/2	#10	1/2	1/2	N/A	1/2	M22 x 1.5	M22 x 1.5
2	#10	1/2	1/2	N/A	1/2	M22 x 1.5	M22 x 1.5
2 1/2	#10	1/2	1/2	1/2	1/2	M22 x 1.5	M22 x 1.5
3 1/4	#12	3/4	3/4	3/4	3/4	M27 x 2	M27 x 2
4	#12	3/4	3/4	3/4	3/4	M27 x 2	M27 x 2
5	#12	3/4	3/4	3/4	3/4	M27 x 2	M27 x 2
6	#16	1	1	1	1	M33 x 2	M33 x 2
7	#20	1 1/4	1 1/4	1 1/4	1 1/4	M42 x 2	M42 x 2
8	#24	1 1/2	1 1/2	1 1/2	1 1/2	M48 x 2	M48 x 2

Available Ports for 2A and 3L Series Cylinders

Bore	"T" SAE Standard	"U" NPTF Pipe Thread	"R" BSPP Parallel Thread	"B" BSPT Taper Thread	"G" Metric Straight Thread	"Y" ISO-6149-1 Metric Straight Thread
1	#6	1/4	1/4	1/4	M14 x 1.5	M14x 1.5*
1 1/2	#6	3/8	3/8	3/8	M14 x 1.5	M14 x 1.5*
2	#6	3/8	3/8	3/8	M14 x 1.5	M14 x 1.5
2 1/2	#6	3/8	3/8	3/8	M14 x 1.5	M14 x 1.5
3 1/4	#10	1/2	1/2	1/2	M22 x 1.5	M22 x 1.5
4	#10	1/2	1/2	1/2	M22 x 1.5	M22 x 1.5
5	#10	1/2	1/2	1/2	M22 x 1.5	M22 x 1.5
6	#12	3/4	1/2	1/2	M26 x 1.5	M27 x 2
8	#12	3/4	3/4	3/4	M26 x 1.5	M27 x 2

*Not available on code 2 rods

For Cylinder Division Plant Locations – See Page II.



C

Hydraulic and Pneumatic Cylinders

Ports

Straight Thread Ports

The S.A.E. straight thread O-ring port is recommended for hydraulic applications. Parker will furnish this port configuration at positions shown in Table A on page C111. This port can also be provided at positions other than those shown in Table A at an extra charge. S.A.E. port size numbers are listed next to their N.P.T.F. pipe thread counterparts for each bore size in the respective product catalogs. Size number, tube O.D. and port thread size for S.A.E. ports are listed in Table C.

Table C

S.A.E. Straight Thread "O" Ring Ports

Size No.	Tube O.D. (In.)	Thread Size	Size No.	Tube O.D. (In.)	Thread Size
2	1/8"	5/16 - 24	12	3/4"	1 1/16 - 12
3	3/16"	3/8 - 24	—	—	—
4	1/4"	7/16 - 20	16	1"	1 5/16 - 12
5	5/16"	1/2 - 20	20	1 1/4"	1 5/8 - 12
6	3/8"	9/16 - 18	24	1 1/2"	1 7/8 - 12
8	1/2"	3/4 - 16	32	2"	2 1/2 - 12
10	5/8"	7/8 - 14	—	—	—

Note: For the pressure ratings of individual connectors, contact your connector supplier. Hydraulic cylinders applied with meter out or deceleration circuits are subject to intensified pressure at the cylinder piston rod end. The rod end pressure is approximately equal to:

$$\frac{\text{effective cap end piston area}}{\text{effective rod end piston area}} \times \text{Operating Pressure}$$

International Ports

Other port configurations to meet international requirements are available at extra cost. Parker cylinders can be supplied, on request, with British standard taper port (BSPT). Such port has a taper of 1 in 16 measured on the diameter (1/16" per inch). The thread form is Whitworth System, and size and number of threads per inch are as follows:

Table D

British Standard Pipe Threads

Nominal Pipe Size	No. Threads Per Inch	Pipe O.D.
1/8	28	.383
1/4	19	.518
3/8	19	.656
1/2	14	.825
3/4	14	1.041
1	11	1.309
1 1/4	11	1.650
1 1/2	11	1.882
2	11	2.347

British standard parallel internal threads are designated as BSP and have the same thread form and number of threads per inch as the BSPT type and can be supplied, on request, at extra cost. Unless otherwise specified, the BSP or BSPT port size supplied will be the same nominal pipe size as the N.P.T.F. port for a given bore size cylinder.

Metric ports options G or Y can also be supplied to order at extra cost.

Flange Ports (Code 61, 3000 psi)

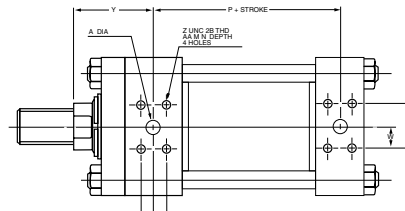
SAE 4 Bolt Flange Ports for 2H, 3H (7"-8"), HD

Bore Size	Rod Code	SAE Dash No.	Y	A	P	Q	W	X
2 1/2"†	1	8	2.39	.50	2.97	1.50	.75	.34
	1		2.77					
	2	12	3.14	.75	3.47	1.87	.94	.44
3 1/4†	3		3.02					
	1		3.02					
	2	12	3.39	.75	3.72	1.87	.94	.44
4†	3		3.14					
	1		3.14					
	2	12	3.39	.75	4.22	1.87	.94	.44
5†	3		3.39					
	4		3.39					
	1		3.14					
	2	12	3.39	.75	4.22	1.87	.94	.44
6	All	16	3.52	1.00	4.85	2.06	1.03	.52
7	All	20	3.77	1.25	5.47	2.31	1.16	.59
8	All	24	3.91	1.50	6.19	2.75	1.37	.70

Bore Size	Rod Code	SAE Dash No.	Z	AA	GG
2 1/2"†	1	8	5/16 - 18	.81	.69
	1				
3 1/4†	2	12	3/8 - 16	.75	.87
	3				
	1				
4†	2	12	3/8 - 16	.75	.87
	3				
	1				
5†	2	12	3/8 - 16	.75	.87
	3				
	4				
	All	16	3/8 - 16	.87	1.03
7	All	20	7/16 - 14	1.00	1.19
8	All	24	1/2 - 13	1.06	1.41

*2 1/2" bore head, flange port available with code 1 & 3 rod only.

†2 1/2", 3 1/4", 4" & 5" bores cap-flange port not available on HB mounting. H mounting not available at position 2 or 4. Port flange overhangs cap on HH mounting.



BSPP or Metric Port options "R" and "G" for Series 3L, 2H, 3H, HD

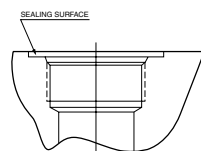
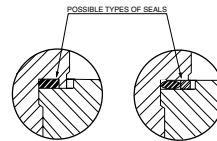


Figure R-G

ISO6149-1 Port option "Y" for Series 3L, 2H, 3H, HD

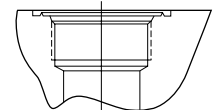
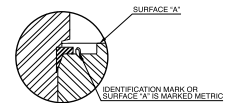


Figure Y

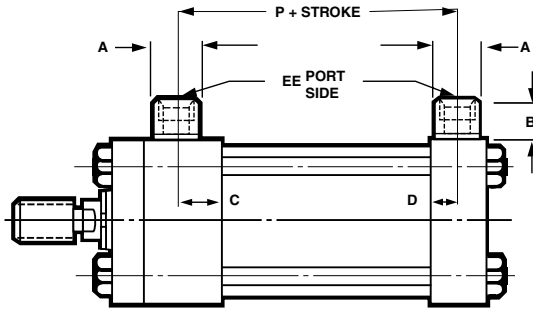
For additional information – call your local Parker Cylinder Distributor.

Hydraulic and Pneumatic Cylinders

Oversize Ports

Oversize NPTF or SAE straight thread ports can be provided, at an extra charge, on pneumatic and hydraulic cylinders. For ports one size larger than standard, welded port bosses which protrude from the side of the head or cap are supplied. For dimensions, see drawings and tables below. 2H and 3L cylinders equipped with cushions at the cylinder cap end can sustain damage to the cushion check valve (cushion bushing) if excessive oil flow enters the cylinder from the cap end port. Cylinders which are equipped with cap end cushions and ordered with one size oversize ports having hydraulic fluid flow exceeding 25 ft./sec. in the line entering the cap end of the cylinder should be ordered with a "solid cushion" at cap end such as provided with the "VH" Series. All cylinders ordered with double oversize ports should always be ordered with a "solid cushion" at cap end such as provided with the "VH" Series.

Cylinders which are connected to a meter out flow control with flow entering the cap end of a cylinder provided by an accumulator may also experience damage to the cushion bushing due to high instantaneous fluid flows. This condition can be eliminated by using a meter in flow control or "solid cushions" at cap end such as provided with the "VH" Series.



Oversize NPTF Port Boss Dimensions Series 2A, MA and 3L Cylinders

Bore	EE (NPTF)	A (Dia.)	B	C	D	P
1	3/8	7/8	3/4	9/16	1/2	2 1/16
1 1/2	1/2	1 1/8	15/16	9/16	1/2	2 1/16
2	1/2	1 1/8	15/16	9/16	1/2	2 1/16
2 1/2	1/2	1 1/8	15/16	9/16	1/2	2 1/16
3 1/4	3/4	1 3/8	1	1 1/16	5/8	2 1/16
4	3/4	1 3/8	1	1 1/16	5/8	2 1/16
5	3/4	1 3/8	1	1 1/16	5/8	2 1/16
6	1	1 3/4	1 1/16	15/16	3/4	3 1/16
7-8	1	1 3/4	1 1/16	15/16	3/4	3 1/16
10	1 1/4	2 1/4	1 1/16	1 1/8	1	4 1/4
12	1 1/4	2 1/4	1 1/16	1 1/8	1	4 1/4
14	1 1/2	2 1/2	1 1/16	1 1/4	1 1/8	5 1/2

Series 2H, 3H (7" & 8"), HD Cylinders

Bore	EE (NPTF)	A (Dia.)	B	C	D	P
1 1/2	3/4	1 3/8	1	3/4	25/32	2 29/32
2	3/4	1 3/8	1	3/4	25/32	2 29/32
2 1/2	3/4	1 3/8	1	3/4	25/32	3 1/32
3 1/4	1	1 3/4	1 1/16	29/32	7/8	3 11/32
4	1	1 3/4	1 1/16	29/32	7/8	3 29/32
5	1	1 3/4	1 1/16	29/32	7/8	4 1/32
6	1 1/4	2 1/4	1 1/16	1 1/8	1 1/8	5 1/8
7	1 1/2	2 1/2	1 1/16	1 1/8	1 1/8	5 1/4
8	2	3	1 1/16	1 1/2	1 1/2	6 1/2

Oversize SAE Straight Thread Port Boss Dimensions Series 3L Cylinders

Bore	EE (SAE)	A (Dia.)	B	C	D	P
1	8	1 1/8	15/16	9/16	1/2	2 1/16
1 1/2	8	1 1/8	15/16	9/16	1/2	2 1/16
2	8	1 1/8	15/16	9/16	1/2	2 1/16
2 1/2	8	1 1/8	15/16	9/16	1/2	2 1/16
3 1/4	12	1 3/8	1	1 1/16	5/8	2 1/16
4	12	1 3/8	1	1 1/16	5/8	2 1/16
5	12	1 3/8	1	1 1/16	5/8	2 1/16
6	16†	1 3/4	1 1/16	1 1/8	3/4	3 1/16
8	16†	1 3/4	1 1/16	1 1/8	3/4	3 1/16

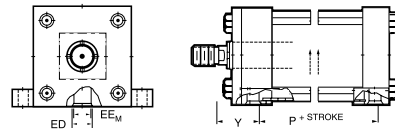
Series 2H, 3H (7" & 8"), HD Cylinders

Bore	EE(SAE)	A (Dia.)	B	C	D	P
1 1/2	12*	1 3/8	1	1 1/16	25/32	2 31/32
2	12*	1 3/8	1	1 1/16	25/32	2 31/32
2 1/2	12**	**	**	**	**	3 1/8
3 1/4	16	1 3/4	1 1/16	7/8	7/8	3 9/16
4	16	1 3/4	1 1/16	7/8	7/8	3 9/16
5	16	1 3/4	1 1/16	7/8	7/8	4 1/16
6	20**	**	**	**	**	5 1/16
7	24**	**	**	**	**	5 1/8
8	NA	**	**	**	**	6 1/4

†Available at head end only. For cap end, consult factory.
*Port tapped directly into head on these cylinders with code 1 rods.
Rod code 2 and cap use port boss.
**Port tapped directly into head and cap.

Manifold Ports

Side mounted cylinders, Style C can be furnished with the cylinder ports arranged for mounting and sealing to a manifold surface. The ports are drilled and counterbored for O-ring seals which are provided. With these specifications, the mounting is designated Style CM or KCM.



Dimensions — Manifold Ports for Single and Double Rod Cylinders Series 2H, 3H (7" & 8"), HD Cylinders

Bore	Rod Code	Rod Dia. MM	Y±1/32	P±1/32	P _K ±1/32	EE _M	ED
1 1/2	1	5/8	2	2 1/8	2 1/8	3/4	1 1/8
	2	1	2 1/8	2 1/8	2 1/8	3/4	1 1/8
2	1	1	2 1/8	2 1/8	2 1/8	3/4	1 1/8
	2	1 1/8	2 1/8	2 1/8	2 1/8	3/4	1 1/8
2 1/2	1	1	2 1/8	3	3	3/4	1 1/8
	2	1 1/8	2 1/8	3	3	3/4	1 1/8
	3	1 1/8	2 1/8	3	3	3/4	1 1/8
3 1/4	1	1 1/8	2 1/4	3 1/2	3 1/2	1	1 3/8
	2	1 1/4	3	3 1/2	3 1/2	1	1 3/8
	3	1 1/4	3	3 1/2	3 1/2	1	1 3/8
4	1	1 1/4	2 7/32	4	4 1/4	1	1 3/8
	2	1 1/2	3 1/32	4	4 1/4	1	1 3/8
	3	2	2 1/32	4	4 1/4	1	1 3/8
	2	2	3 1/8	4 1/4	4 1/4	1	1 3/8
5	1	1 1/2	3 1/2	4 1/4	4 1/4	1	1 3/8
	2	1 1/2	3 1/2	4 1/4	4 1/4	1	1 3/8
	3	2 1/2	3 1/2	4 1/4	4 1/4	1	1 3/8
	4	3	2 1/2	4 1/4	4 1/4	1	1 3/8
6	1	2	3 1/2	5 1/8	4 7/8	1 1/4	1 3/8
	2	2 1/2	3 1/2	5 1/8	4 7/8	1 1/4	1 3/8
	3	3	3 1/2	5 1/8	4 7/8	1 1/4	1 3/8
	4	4	3 1/2	5 1/8	4 7/8	1 1/4	1 3/8
7	1	3	3 1/2	5 7/8	5 7/8	1 1/2	1 7/8
	2	3	3 1/2	5 7/8	5 7/8	1 1/2	1 7/8
	3	4	4	5 7/8	5 7/8	1 1/2	1 7/8
	4	4	4	5 7/8	5 7/8	1 1/2	1 7/8
	5	5	4 1/2	5 7/8	5 7/8	1 1/2	1 7/8
8	1	3 1/2	3 1/2	6 3/8	6 3/8	1 1/2	1 7/8
	2	4	3 1/2	6 3/8	6 3/8	1 1/2	1 7/8
	3	4	3 1/2	6 3/8	6 3/8	1 1/2	1 7/8
	4	4 1/2	3 1/2	6 3/8	6 3/8	1 1/2	1 7/8
	5	5	4 1/2	6 3/8	6 3/8	1 1/2	1 7/8

Series 2A, 3L Cylinders

Bore	Rod Code	Rod Dia. (MM)	Y±1/32	P±1/32	EE _M	ED
1	All	All	1 15/16	2 1/8	3/8	1 1/16
1 1/2	1	5/8	2	2 1/8	1/2	1 3/16
	2	1	2 1/8	2 1/8	1/2	1 3/16
2	1	5/8	2	2 1/8	1/2	1 3/16
	2	1 1/8	2 1/8	2 1/8	1/2	1 3/16
	3	1	2 1/8	2 1/8	1/2	1 3/16
2 1/2	1	5/8	2	2 1/8	1/2	1 3/16
	2	1 1/4	2 1/8	2 1/8	1/2	1 3/16
	3	1	2 1/8	2 1/8	1/2	1 3/16
	4	1 1/8	2 1/8	2 1/8	1/2	1 3/16
3 1/4	1	1	2 1/8	2 1/8	1/2	1 3/16
	2	2	3 1/8	2 1/8	1/2	1 3/16
	3	1 1/8	2 1/8	2 1/8	1/2	1 3/16
	4	1 1/4	2 1/8	2 1/8	1/2	1 3/16
4	1	1	2 1/8	2 1/8	1/2	1 3/16
	2	2 1/2	3 1/8	2 1/8	1/2	1 3/16
	3	1 1/8	2 1/8	2 1/8	1/2	1 3/16
	4	1 1/4	2 1/8	2 1/8	1/2	1 3/16
	5	2	3 1/8	2 1/8	1/2	1 3/16
5	1	1	2 1/8	2 1/8	1/2	1 3/16
	2, 6 & 7	3 1/2, 2 1/2 & 3	3 1/8	2 1/8	1/2	1 3/16
	3	1 1/8	2 1/8	2 1/8	1/2	1 3/16
6	1	1 1/8	2 1/8	2 1/8	1/2	1 3/16
	2, 5, 6, 7	4, 2 1/2, 3 & 3 1/2	3 1/8	3 1/8	1/2	1 3/16
	3	1 1/4	3 1/8	3 1/8	1/2	1 3/16
	4	2	3 1/8	3 1/8	1/2	1 3/16
7 - 8	1	1 1/8	2 1/8	2 1/8	1/2	1 3/16
	2, 5, 6, 7, 8, 9 & 0	5 1/2, 2 1/2, 3, 3 1/2, 4, 4 1/2 & 5	3 1/8	3 1/8	1/2	1 3/16
	3	1 1/4	3 1/8	3 1/8	1/2	1 3/16
	4	2	3 1/8	3 1/8	1/2	1 3/16
10	1	1 1/4	3 1/8	3 1/8	1/2	1 3/16
	3	2	3 1/8	3 1/8	1/2	1 3/16
	4, 5, 6, 7, 8, 9 & 0	2 1/2, 3, 3 1/2, 4, 4 1/2, 5 & 5 1/2	3 1/2	3 1/2	1/2	1 3/16
12	1	2	3 1/4	4 1/8	1 3/16	1 1/2
	3, 4, 5, 6, 7, 8 & 9	2 1/2, 3, 3 1/2, 4, 4 1/2, 5 & 5 1/2	3 1/2	4 1/8	1 3/16	1 1/2
14	All	All	3 1/2	5 1/2	1 1/8	1 7/8

For Cylinder Division Plant Locations – See Page II.

Rod End Data

Rod end dimension symbols as shown comply with the National Fluid Power Association dimensional code. The following chart indicates the symbols used in this catalog.

Description	Symbol
Thread diameter and pitch	KK or CC
Length of thread	A
Length of rod extension from face of gland retainer to end of retracted rod	LA or LAF (Male Thread) W or WF (Female Thread)

Three rod ends for Parker cylinders are offered as shown on the dimension pages of this catalog. They are Parker styles 4, 8 and 9, and all three are optional without price penalty. If a rod end style is not specified, the Parker style 4 (N.F.P.A. Style SM) will be supplied. Styles 4 and 8 are supplied with high strength rolled thread studs on piston rods through 2" diameter. Longer studs in Parker Standard sizes are available, see table below.

Warning!

Piston rods are not normally designed to absorb bending moments or loads which are perpendicular to the axis of piston rod motion. These additional loads can cause the piston rod end to fail. If these types of additional loads are expected to be imposed on the piston rods, their magnitude should be made known to our Engineering Department so they may be properly addressed. Additionally, cylinder users should always make sure that the piston rod is securely attached to the machine member.

On occasion cylinders are ordered with double rods. In some cases a stop is threaded onto one of the piston rods and used as an external stroke adjuster. This can cause a potential safety concern and can also lead to premature piston rod failure. The external stop will create a pinch point and the cylinder user should consider appropriate use of guards. If an external stop is not parallel to the final contact surface it will place a bending moment on the piston rod. An external stop will also negate the effect of a cushion and will subject the piston rod to an impact loading. These two (2) conditions can cause piston rod failure. The use of external stroke adjusters should be reviewed with our Engineering Department.

Piston Rod End Threads

Standard piston rod end thread lengths are shown as dimension "A" in Catalog dimension pages. Special rod end threads which are two times standard length can be supplied at a small extra cost. Available thread lengths are shown in the table below. To order, add suffix "2" to piston rod model number code and specify as Style #42 or Style #82.

Optional Piston Rod End Studs

Piston Rod Dia.	Rod End Thread Style #42		Rod End Thread Style #82	
	Thread Dia. & Pitch (KK)	Length (= 2 x A)	Thread Dia. & Pitch (CC)	Length (= 2 x A)
5/8	7/16 - 20	1 1/2	1/2 - 20	1 1/2
1	3/4 - 16	2 1/4	7/8 - 14	2 1/4
1 3/8	1 - 14	3 1/4	1 1/4 - 12	3 1/4
1 3/4	1 1/4 - 12	4	1 1/2 - 12	4
2	1 1/2 - 12	4 1/2	1 3/4 - 12	4 1/2

International Rod End Threads

Piston rod threads to meet international requirements are available at extra cost. Parker cylinders can be supplied with British standard fine (W) or metric (M). To order, specify in model number. For dimensions, consult factory.

Special Rod Ends

If a rod end configuration other than the standard styles 4, 8 and 9 is required, such special rod ends can be provided. The designation "Style 3" is assigned to such specials and is incorporated in the cylinder model number. To order, specify "Style 3" and give desired dimensions for KK; A; LA, LAF, W, or WF. If otherwise special, send a dimensioned sketch.

Special Assemblies from Standard Parts

Each dimensioned drawing in this catalog has position numbers shown on the end view to identify the four sides of the cylinder. These aid in communications and simplify the writing of specifications that cover changes in port positions, etc. Following are several suggested special assemblies that can be made up from standard parts.

- a) By calling out the position numbers for the desired locations for head and cap ports, many mounting styles can be assembled with ports located at 90° or 180° from standard. In such special assemblies, the cushion needle and check valves are also repositioned since their relation with the port position does not change.
- b) The cushion needle valve is interchangeable with the check valve in the cylinder heads. The cushion needle valve can be assembled on side position 4 with the check valve on side 2 for most mounting styles when the port is in the standard side position 1.
On mounting styles D, DB and DD, the cushion needle valves are provided only on the side position 3 on the head or cap which accommodates the mounting. The opposite head or cap can be rotated.
- c) Standard mountings in different combinations can be provided: for example Style J mounting on head end with Style C on the cap end. This would be made up from standard parts and would be designated Model JC-2HU14A.

Single-Acting Cylinders

Double-acting cylinders are supplied as standard. They can also be used as single-acting cylinders where fluid force is applied to only one side of the piston, with the load or other external forces acting to "return" the piston after pressure is exhausted.

Spring-Returned, Single-Acting Cylinders – Single-acting, spring-returned models can also be provided. Load conditions and friction factors must be considered in supplying the proper spring for the application. In addition, it is necessary that information be supplied as to which side of the piston the spring should act upon. Specify "Spring to return piston rod" or "Spring to advance piston rod."

On longer stroke spring-returned cylinders, it is recommended that tie rod extensions be specified on the cylinder end in which the spring is located so that the cap or head against which the spring is acting can be "backed-off" slowly until compression of the spring is relieved. In such cases it should also be specified that the tie rod nuts be welded to the tie rods at the opposite end of the cylinder to further insure safe disassembly.

Consult factory when ordering spring-returned cylinders.

For additional information – call your local Parker Cylinder Distributor.

Hydraulic and Pneumatic Cylinders

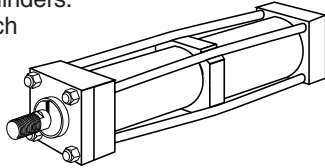
Stroke Data Tie Rod Supports Stroke Adjusters-Thrust Key Mountings

Stroke Data

Parker cylinders are available in any practical stroke length. The following information should prove helpful to you in selecting the proper stroke for your cylinder application.

Stroke Tolerances – Stroke length tolerances are required due to build-up of tolerances of piston, head, cap and cylinder body. Standard production stroke tolerances run $+1/32"$ to $-1/64"$ up to 20" stroke, $+1/32"$ to $-.020"$ for 21" to 60" stroke and $+1/32"$ to $-1/32"$ for greater than 60" stroke. For closer tolerances on stroke length, it is necessary to specify the required tolerance plus the operating pressure and temperature at which the cylinder will operate. Stroke tolerances smaller than .015" are not generally practical due to elasticity of cylinders.

If machine design requires such close tolerances, use of a stroke adjuster (below) may achieve the desired result.



Tie Rod Supports

Rigidity of Envelope – The pre-stressed tie rod construction of Parker cylinders has advantages in rigidity within the limits of the cylinder tube to resist buckling. For long stroke cylinders within practical limits. Parker provides exclusive TIE ROD SUPPORTS (see table below) which move the tie rod centerlines radially outward.

Standard tie rod supports are kept within the envelope dimensions of the head and cap, and generally do not interfere with mounting a long cylinder.

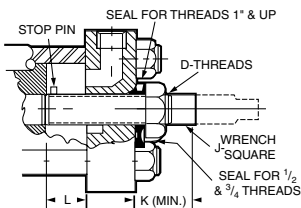
Number of Supports Required	Stroke (Inches)												
	Bore	36	48	60	72	84	96	108	120	132	144	156	168
	1	—	1	1	1	2	Consult Factory						
1 1/2	—	—	1	1	1	2	2	2	3	3	3	4	
2	—	—	—	1	1	1	1	2	2	3	2	3	
2 1/2	—	—	—	—	—	1	1	1	1	1	2	2	
3 1/4	—	—	—	—	—	—	—	1	1	1	1	1	
4	—	—	—	—	—	—	—	—	—	1	1	1	

Note: 5" through 14" bore sizes — no supports required.

Stroke Adjusters

Stroke Adjusters – For the requirement where adjusting the stroke is specified. Parker has several designs to offer, one of which is illustrated below. This is suitable for infrequent adjustment and is economical.*

Bore Size		D	J	K	L (Max.)
Series 2A-MA 3L	Series 2H, VH HD/HDC				
1 1/2, 2	1 1/2"	1/2 - 20	5/16	3/16	5
2 1/2, 3 1/4, 4	2"	3/4 - 16	7/16	1/4	8
5, 6	2 1/2", 3 1/4"	1 - 14	5/8	1 1/8	9
8	4"	1 1/2 - 12	15/16	2 1/8	18
10	5"	2 - 12	1 1/16	2 1/8	20
12, 14	6"	2 1/2 - 12	1 1/16	3 1/8	20
—	7"	3 - 12	2	3 1/4	20
—	8"	3 1/2 - 12	2 1/8	3 1/2	20



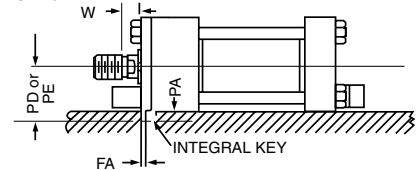
Here a "retracting stroke adjuster" must be called for in specifications, and the length of the adjustment must be specified.

Where frequent adjustment or cushions at the cap end are required, other designs are available according to application needs.

*Infrequent is defined by positioning the retract stroke in a couple of attempts at original machine set up. The frequent stroke adjuster is recommended for adjustments required after the original equipment has been adjusted by the original machine manufacturer.

Thrust Key Mountings

Thrust key mountings eliminate the need of using fitted bolts or external keys on side mounted cylinders. Parker cylinders in mounting styles CP, FP, GP and CBP can be provided with the gland retainer plate extended below the mounting side of the cylinder (see illustration below). This extended retainer plate can then be fitted into a keyway milled into the mounting surface of the machine member. This is referred to as the "P" Modification of any side mounting style.



Series 2A, 2AN and 3L

Bore	Dim. FA	Dim. PA	Dim. PD Mtg. Styles CP, FP & GP†	Dim. PD Mtg. Styles CBP*
1	.312 +.000 -.002	3/16	1 5/16	1 3/16
1 1/2			1 3/16	1 3/8
2			1 7/16	1 5/8
2 1/2			1 11/16	1 13/16
3 1/4	.562 +.000 -.002	5/16	2 9/16	2 1/4
4			2 9/16	2 9/16
5			3 1/16	3 1/16
6	.687 +.000 -.002	3/8	3 5/8	3 5/8

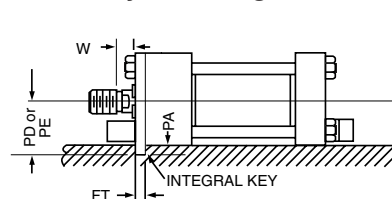
†GP Mtg. not available in 1" Bore.

*1" bore CBP Mounting available with No. 1 (1/2" diameter) rod only.

Series 2H, 3H (7" & 8"), VH Cylinders

Bore	Dim. FA	Dim. PA	Dim. PD Mtg. Styles CP, FP & GP	Dim. PE Mtg. Style CBP
1 1/2	.312 +.000 -.002	3/16	1 7/16	1 9/16
2	.562 +.000 -.002	5/16	1 13/16	2
2 1/2	.562 +.000 -.002	5/16	2 1/16	2 1/4
3 1/4	.687 +.000 -.003	3/8	2 5/8	2 15/16
4	.812 +.000 -.003	7/16	2 15/16	3 1/4
5	.812 +.000 -.003	7/16	3 11/16	4 1/8
6	.937 +.000 -.003	1/2	4 1/4	4 3/4
7	.937 +.000 -.003	1/2	4 3/4	5 1/16
8	.937 +.000 -.003	1/2	5 1/4	6

Thrust Key Mountings



Series HD/HDC

Bore	+0.000" -0.001" Dim. FT	Dim. PA	Dim. PD Mtg. Styles CP, FP & GP
1 1/2	.361	3/16	1 7/16
2	.611	5/16	1 13/16
2 1/2	.611	5/16	2 1/16
3 1/4	.736	3/8	2 5/8
4	.861	7/16	2 15/16
5	.861	7/16	3 11/16
6	.986	1/2	4 1/4
8	.986	1/2	5 1/4

For Cylinder Division Plant Locations – See Page II.



C

Acceleration and Deceleration Force Determination

The uniform acceleration force factor chart and the accompanying formula can be used to rapidly determine the forces required to accelerate and decelerate a cylinder load. To determine these forces, the following factors must be known: total weight to be moved, maximum piston speed, distance available to start or

stop the weight (load), direction of movement, i.e. horizontal or vertical, and load friction. By use of the known factors and the "g" factor from chart, the force necessary to accelerate or decelerate a cylinder load may be found by solving the formula (as shown in chart below) application to a given set of conditions.

Nomenclature

- V = Velocity in feet per minute
- S = Distance in inches
- F = Force in lbs.
- W = Weight of load in pounds
- g = Force factor
- f = Friction of load on machine ways in pounds

To determine the force factor "g" from the chart, locate the intersection of the maximum piston velocity line and the line representing the available distance. Project downward to locate "g" on the horizontal axis. To calculate the "g" factor for distances and velocities exceeding those shown on the chart, the following formula can be used:

$$g = v^2/s \times .000517$$

Example: Horizontal motion of a free moving 6,000 lb. load is required with a distance of 1/2" to a maximum speed of 120 feet per minute.

Formula (1) $F = Wg$ should be used.

$$F = 6,000 \text{ pounds} \times 1.50 \text{ (from chart)} = 9,000 \text{ pounds}$$

Assuming a maximum available pump pressure of 1,000 p.s.i., a 4" bore cylinder should be selected, operating on push stroke at approximately 750 p.s.i. pressure at the cylinder to allow for pressure losses from the pump to the cylinder.

Assume the same load to be sliding on ways with a coefficient of friction of 0.15. The resultant friction load would be 6,000 x 0.15 = 900 lbs.

Formula (2) $F = Wg + f$ should be used.

$$F = 6,000 \text{ lbs.} \times 1.5 \text{ (from chart)} + 900 = 9,900 \text{ lbs.}$$

Again allowing 750 p.s.i. pressure at the cylinder, a 5" bore cylinder is indicated.

Example: Horizontal deceleration of a 5000 pound load is required by using a 1" long cushion in a 5" bore cylinder having a 1 3/4" diameter piston rod. Cylinder bore area (19.64 Sq. In.) minus the rod area results in a minor area of 17.23 Sq. In. at head end of cylinder. A pump delivering 500 p.s.i. at the cylinder is used to push the load at 120 feet per minute. Friction coefficient is 0.15 or 750 lbs.

In this example, the total deceleration force is the sum of the force needed to decelerate the 5,000 pounds load, and the force required to counteract the thrust produced by the pump.

- W = Load in lbs. = 5000
- S = Deceleration distance in inches = 1"
- V = Maximum piston speed in feet per minute = 120
- g = .74 (from chart)
- f = 750 pounds

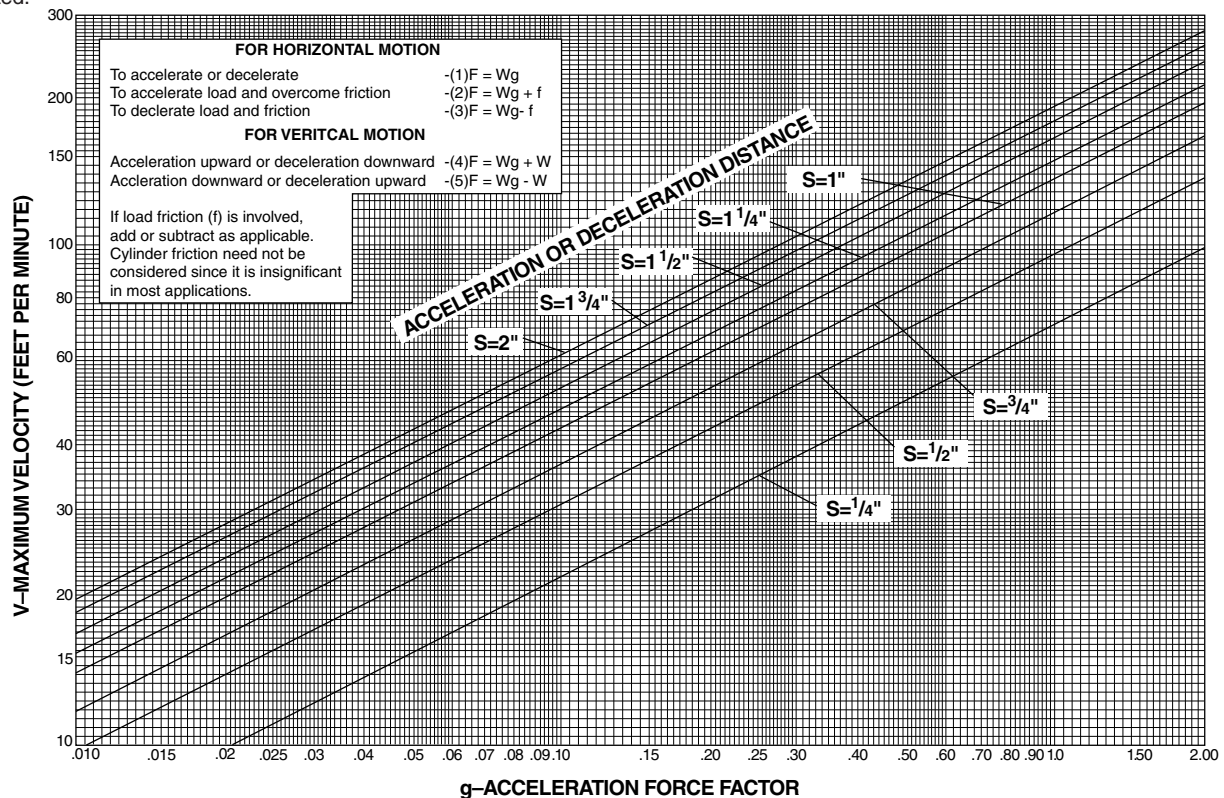
Use formula (3) $F = Wg - f$

$$(F = Wg - f) = (F = 5000 \times .74 - 750) = 2,950 \text{ Pounds}$$

The pump is delivering 500 p.s.i. acting on the 19.64 Sq. In. piston area producing a force (F₂) of 9820 pounds. This force must be included in our calculations. Thus $F + F_2 = 2950 + 9820 = 12,770$ pounds total force to be decelerated.

The total deceleration force is developed by the fluid trapped between the piston and the head. The fluid pressure is equal to the force (12,770 pounds) divided by the minor area (17.23 Sq. In.) equals 741 p.s.i. This pressure should not exceed the non-shock rating of the cylinder.

Cushioning practice is to select a "g" factor between .2 and 1.5.

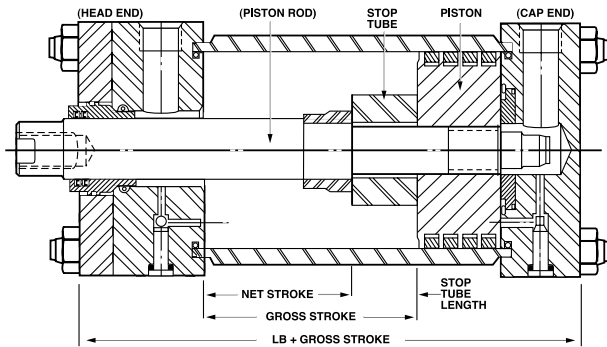


For additional information – call your local Parker Cylinder Distributor.

Stop Tubing

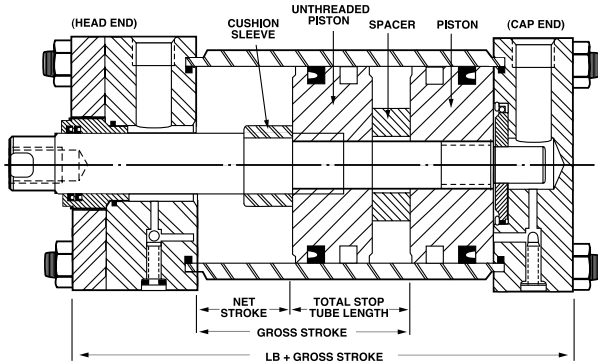
Stop tube is recommended to lengthen the distance between the gland and piston to reduce bearing loads when the cylinder is fully extended. This is especially true of horizontally mounted and long stroke cylinders. Long stroke cylinders achieve additional stability through the use of a stop tube.

Drawing A



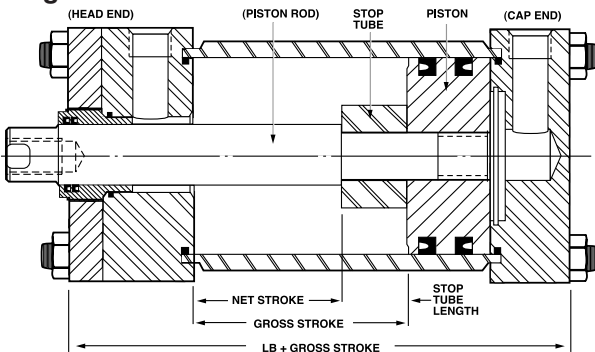
When specifying cylinders with long stroke and stop tube, be sure to call out the net stroke and the length of the stop tube. Machine design can be continued without delay by laying in a cylinder equivalent in length to the NET STROKE PLUS STOP TUBE LENGTH, which is referred to as GROSS STROKE. Refer to piston rod/stroke selection chart to determine stop tube length.

Drawing B



Double piston design is supplied on air cylinders with cushion head end or both ends.

Drawing C



This design is supplied on all non cushion cylinders.

Series 2A, MA, 3L, HD, 2H, 3H Cylinders

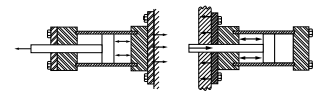
Mounting Classes

Standard mountings for fluid power cylinders fall into three basic groups. The groups can be summarized as follows:

- Group 1 – Straight Line Force Transfer with fixed mounts which absorb force on cylinder centerline.
- Group 2 – Pivot Force Transfer. Pivot mountings permit a cylinder to change its alignment in one plane.
- Group 3 – Straight Line Force Transfer with fixed mounts which do not absorb force on cylinder centerline.

Because a cylinder's mounting directly affects the maximum pressure at which the cylinder can be used, the chart below should be helpful in selection of the proper mounting combination for your application. Stroke length, piston rod connection to load, extra piston rod length over standard, etc., should be considered for thrust loads. Alloy steel mounting bolts are recommended for all mounting styles, and thrust keys are recommended for Group 3.

Group 1 FIXED MOUNTS which absorb force on cylinder centerline.



Heavy-Duty Service
For Thrust Loads
For Tension Loads

Mtg. Styles HB, TC, E
Mtg. Styles JE, TB, E

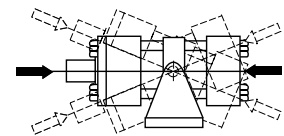
Medium-Duty Service
For Thrust Loads
For Tension Loads

Mtg. Styles H, JB
Mtg. Styles J, HB

Light-Duty Service
For Thrust Loads
For Tension Loads

Mtg. Style FJ
Mtg. Style H

Group 2 PIVOT MOUNTS which absorb force on cylinder centerline.



Heavy-Duty Service
For Thrust Loads
For Tension Loads

Mtg. Styles DD, D
Mtg. Styles BB, BC, DD, D, DB

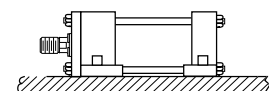
Medium-Duty Service
For Thrust Loads
For Tension Loads

Mtg. Styles BB, BC
Mtg. Styles BB, BC

Light-Duty Service
For Thrust Loads
For Tension Loads

—————

Group 3 FIXED MOUNTS which do not absorb force on the centerline.



Heavy-Duty Service
For Thrust Loads
For Tension Loads

Mtg. Style C, CP
Mtg. Style C, CP

Medium-Duty Service
For Thrust Loads
For Tension Loads

Mtg. Style G, GP, F, FP
Mts. Style G, GP, F, FP

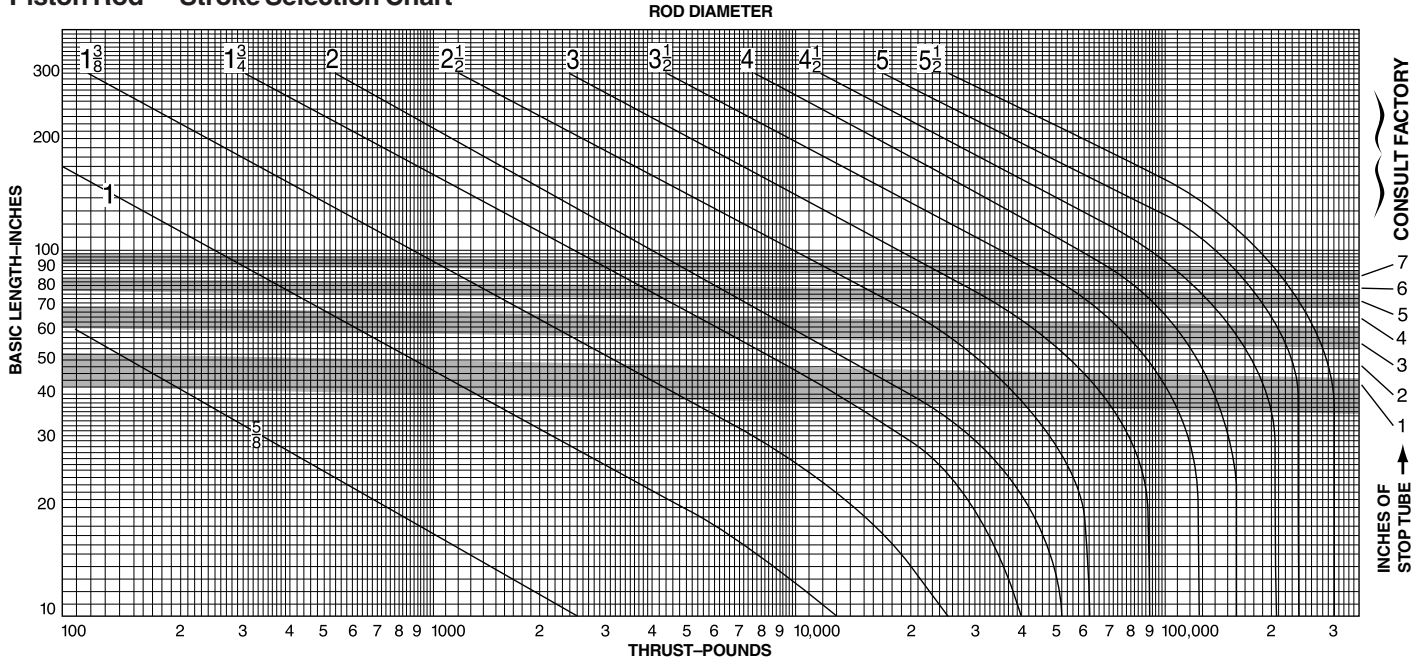
Light-Duty Service
For Thrust Loads
For Tension Loads

Mtg. Style CBP, CB*
Mtg. Style CBP, CB*

* Mounting style CB recommended for maximum pressure of 150 p.s.i.

Cylinder Stroke Chart

Piston Rod — Stroke Selection Chart



How to Use the Chart

The selection of a piston rod for thrust (push) conditions requires the following steps:

- Determine the type of cylinder mounting style and rod end connection to be used. Then consult the chart below and find the "stroke factor" that corresponds to the conditions used.

- Using this stroke factor, determine the "basic length" from the equation:

$$\text{Basic Length} = \frac{\text{Actual Stroke}}{\text{Stroke Factor}}$$

The graph is prepared for standard rod extensions beyond the face of the gland retainers. For rod extensions greater than standard, add the increase to the stroke in arriving at the "basic length."

- Find the load imposed for the thrust application by multiplying the full bore area of the cylinder by the system pressure.
- Enter the graph along the values of "basic length" and "thrust" as found above and note the point of intersection:
 - The correct piston rod size is read from the diagonally curved line labeled "Rod Diameter" next above the point of intersection.
 - The required length of stop tube is read from the right of the graph by following the shaded band in which the point of intersection lies.

C) If required length of stop tube is in the region labeled "consult factory," submit the following information for an individual analysis:

- Cylinder mounting style.
- Rod end connection and method of guiding load.
- Bore, required stroke, length of rod extension (Dim. "LA") if greater than standard, and series of cylinder used.
- Mounting position of cylinder. (Note: If at an angle or vertical, specify direction of piston rod.)
- Operating pressure of cylinder if limited to less than standard pressure for cylinder selected.

Warning

Piston rods are not normally designed to absorb bending moments or loads which are perpendicular to the axis of piston rod motion. These additional loads can cause the piston rod end to fail. If these types of additional loads are expected to be imposed on the piston rods, their magnitude should be made known to our Engineering Department so they may be properly addressed. Additionally, cylinder users should always make sure that the piston rod is securely attached to the machine member.

Recommended Mounting Styles for Maximum Stroke and Thrust Loads	Rod End Connection	Case	Stroke Factor
Groups 1 or 3 Long stroke cylinders for thrust loads should be mounted using a heavy-duty mounting style at one end, firmly fixed and aligned to take the principal force. Additional mounting should be specified at the opposite end, which should be used for alignment and support. An intermediate support may also be desirable for long stroke cylinders mounted horizontally. See catalog page No. 80 under "Tie Rod Supports — Rigidity of Envelope" for a guide. Machine mounting pads can be adjustable for support mountings to achieve proper alignment.	Fixed and Rigidly Guided	I	.50
	Pivoted and Rigidly Guided	II	.70
	Supported but not Rigidly Guided	III	2.00
Group 2 Style D — Trunnion on Head	Pivoted and Rigidly Guided	IV	1.00
Style DD — Intermediate Trunnion	Pivoted and Rigidly Guided	V	1.50
Style DB — Trunnion on Cap or Style BB — Clevis on Cap	Pivoted and Rigidly Guided	VI	2.00

For additional information – call your local Parker Cylinder Distributor.

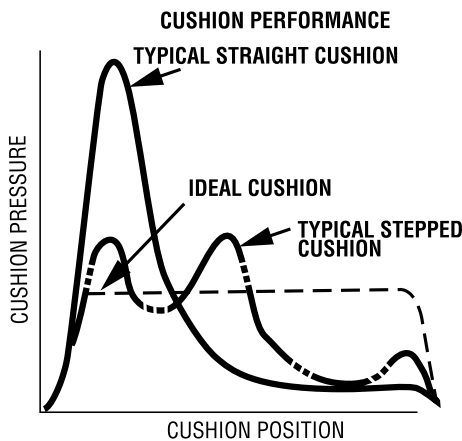
Series 2H and 7" & 8" Bore 3H Hydraulic Cylinders

An Introduction to Cushioning

Cushioning is recommended as a means of controlling the deceleration of masses, or for applications where piston speed is in excess of 4 in/sec and the piston will make full stroke. Cushioning extends cylinder life and reduces undesirable noise and hydraulic shock. Built-in "cushions" are optional and can be supplied at the head and cap ends of a cylinder without affecting its envelope or mounting dimensions.

Standard Cushioning

Ideal cushion performance shows an almost uniform absorption of energy along the cushioning length, as shown. Many forms of cushioning exist, and each has its own specific merits and advantages.



In order to cover the majority of applications, 2H/3H cylinders are supplied with profiled cushioning as standard. Final speed may be adjusted using the cushion screw. The performance of profiled cushioning is indicated on the diagram, and cushion performance for

each of the rod sizes available is illustrated graphically in the charts on the following pages.

Note: Cushion performance will be affected by the use of water or high water based fluids. Please consult factory for details.

Cushion Length

Where specified, 2H/3H cylinder incorporates the longest cushion sleeve and spear that can be accommodated within the standard envelope without reducing the rod bearing and piston bearing length. See cushion lengths on the next page. Cushions are adjustable via recessed needle valves.

Cushion Calculation

The charts on the next page show the energy absorption capacity for each bore/rod combination at the head (annulus) and the cap (full bore) ends of cylinder. The charts are valid for piston velocities within a range of 0.33 to 1 ft/s. For velocities between 1ft/s and 1.64 ft/s the energy values derived from the charts should be reduced by 25%. For velocities less than 0.33 ft/s where large masses are involved, and for velocities greater than 1.60 ft/s, a special cushion profile may be required. Please consult the factory for details.

The cushion capacity of the head end is less than the cap, and reduces to zero at high drive pressures due to the pressure intensification effect across the piston.

The energy absorption capacity of the cushion decreases with drive pressure.

Formula

Cushioning calculations are based on the formula $E=(1/2) mv^2$ for horizontal applications. For inclined or vertically downward or upward applications, this is modified to:

$$E = (1/2)mv^2 + mg(L/12) \times \sin(\theta)$$

(for inclined or vertically downward direction of mass)

$$E = (1/2)mv^2 - mg(L/12) \times \sin(\theta)$$

(for inclined vertically upward direction of mass)

where:

E = energy absorbed in ft-lb

g = acceleration due to gravity = 32.2 ft/s²

v = velocity in ft/s

L = length of cushion in inches

m = mass of load in slug (including piston, rod and rod end accessories).

θ = angle to the horizontal in degrees

p = pressure in psi

Example:

The following example shows how to calculate the energy developed by masses moving in a straight line. For non-linear motion, other calculations are required; please consult the factory. The example assumes that the bore and rod diameter are already appropriate for the application. The effects of friction on the cylinder and load have been ignored.

Selected bore/rod 6" bore x 2 1/2" rod (No. 1 rod)

Cushion at the cap end.

Pressure = 2,500 psi

Mass = 685 slugs = weight in lb / (32.2 ft/s²)

Velocity = 1.3 ft/s

Cushion length = 1.313 inch

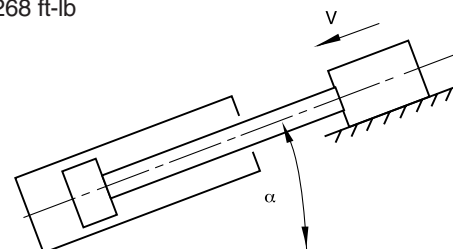
θ = 45°

Sin (θ) = 0.70

$$E = (1/2)mv^2 + mgl/12 \times \sin(\theta)$$

$$= (1/2) \times 685 \times 1.3^2 + 685 \times 32.2 \times 1.313/12 \times 0.70$$

$$= 2,268 \text{ ft-lb}$$



Note: In the above example velocity is greater than 1 ft./s. Therefore, a de-rating factor of 0.75 must be applied to the calculated value of E. Applying this correction factor will increase the energy value to 3024 ft.-lb. (2268/0.75 = 3024 ft.-lb.). A review of the graph for the cap end cushion of a 6 inch bore x 2 1/2" rod cylinder operating at 2500 psi indicates that it can absorb approximately 3200 ft.-lb. maximum of energy. Since 3024 ft.-lbs. is less than the maximum allowable of 3200 ft.-lbs., the cylinder can be applied as indicated. If the calculated energy exceeds the value shown on the curve, select a larger bore cylinder and/or reduce the operating pressure and recalculate the energy. Compare the newly calculated energy value to the appropriate curve to ensure it does not exceed the maximum allowable energy.

Series 2H and 7" & 8" Bore 3H Hydraulic Cylinders

Cushioning

BORE	ROD NO.	ROD DIA.	CUSHION LENGTH (MINIMUM)	
			HEAD	CAP
1.5	1	0.625	0.924	1.000
	2	1.000	0.927	1.000
2	1	1.000	0.927	0.938
	2	1.375	0.925	0.938
2.5	1	1.000	0.927	0.938
	2	1.750	0.928	0.938
	3	1.375	0.925	0.938
3.25	1	1.375	1.175	1.125
	2	2.000	0.862	1.125
	3	1.750	1.178	1.125
4	1	1.750	1.178	1.063
	2	2.500	0.869	1.063
	3	2.000	0.862	1.063
5	1	2.000	0.862	0.938
	2	3.500	0.869	0.938
	3	2.500	0.869	0.938
	4	3.000	0.869	0.938
6	1	2.500	1.119	1.313
	2	4.000	1.119	1.313
	3	3.000	1.119	1.313
	4	3.500	0.869	1.313
7	1	3.000	1.619	1.750
	2	5.000	1.496	1.750
	3	3.500	1.619	1.750
	4	4.000	1.119	1.750
	5	4.500	1.496	1.750
8	1	3.500	1.869	1.813
	2	5.500	1.745	1.813
	3	4.000	1.119	1.813
	4	4.500	1.496	1.813
	5	5.000	1.496	1.813

For additional information – call your local Parker Cylinder Distributor.

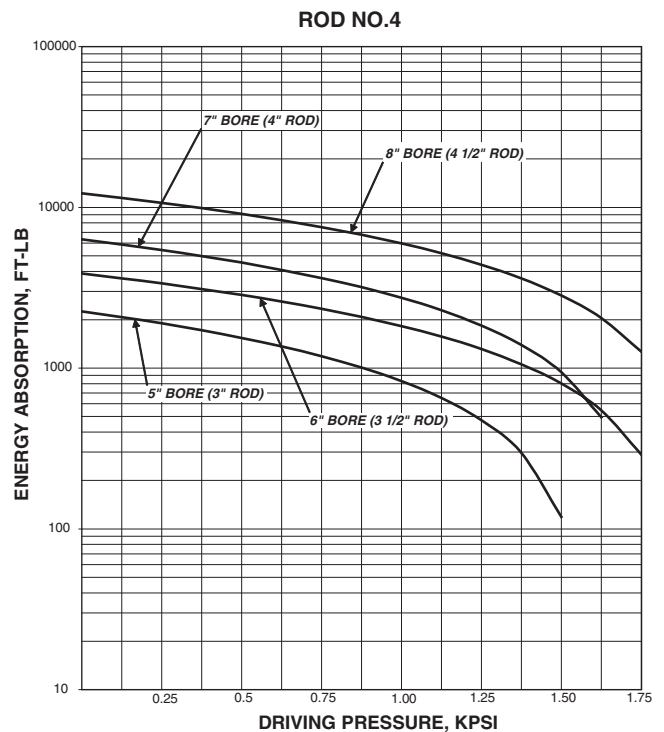
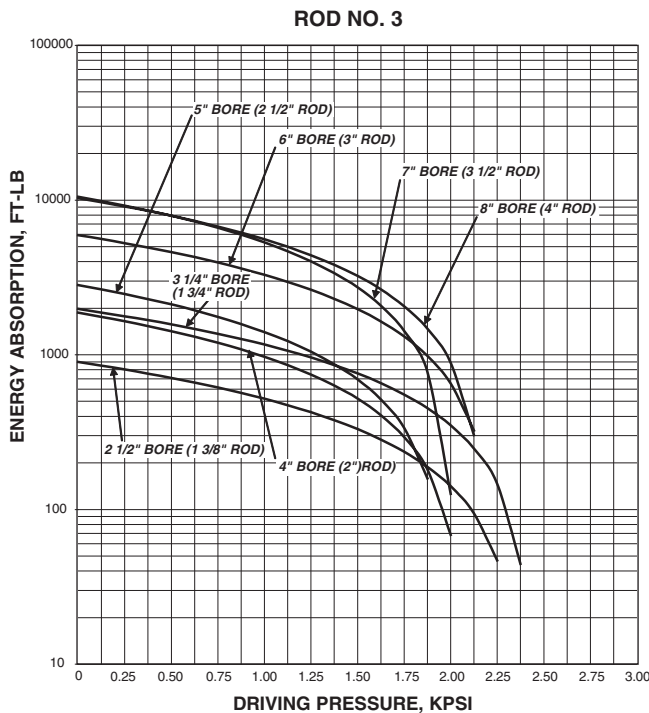
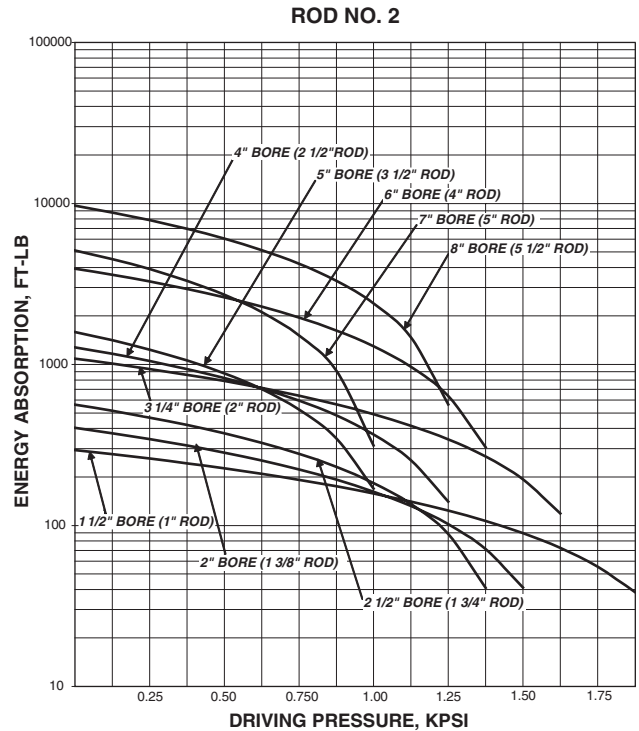
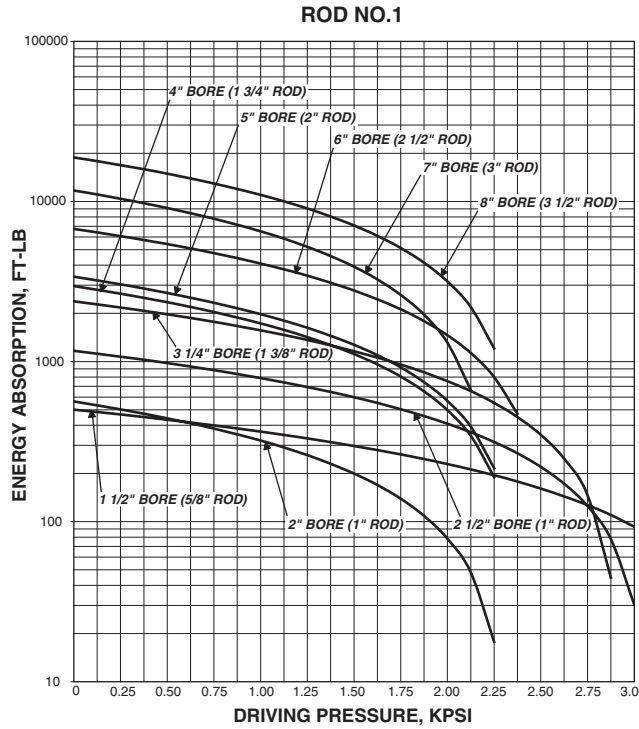
Series 2H and 7" & 8" Bore 3H Hydraulic Cylinders

Cushion Energy Absorption Capacity Data

The cushion energy absorption data shown below is based on the maximum fatigue-free pressure developed in the tube. For application with a life cycle of less than 10^6 cycles, greater

energy absorption figures can be applied. Please consult the factory if further information is required.

Head End



For Cylinder Division Plant Locations – See Page II.

Series 2H and 7" & 8" Bore 3H Hydraulic Cylinders

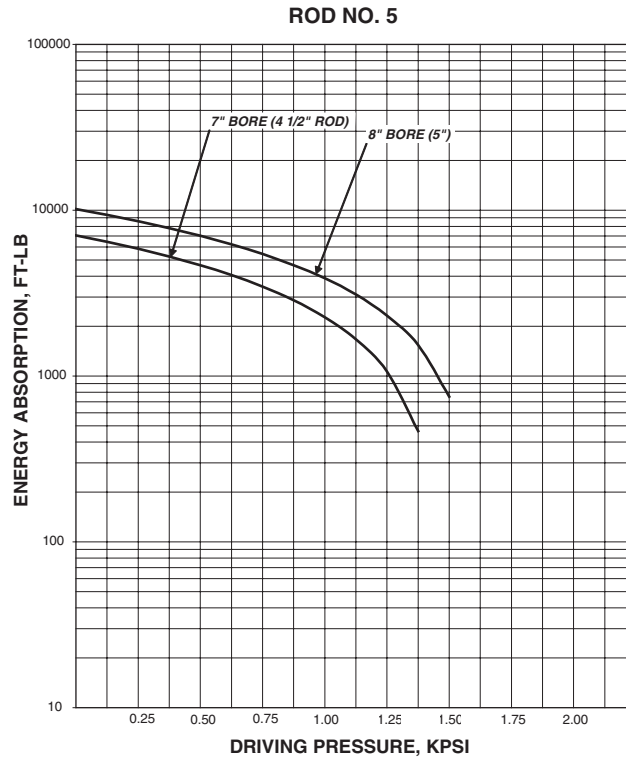
Cushioning

Cushion Energy Absorption Capacity Data

The cushion energy absorption data shown below is based on the maximum fatigue-free pressure developed in the tube. For application with a life cycle of less than 10^6 cycles, greater

energy absorption figures can be applied. Please consult the factory if further information is required.

Head End



For additional information – call your local Parker Cylinder Distributor.

Series 2H and 7" & 8" Bore 3H Hydraulic Cylinders

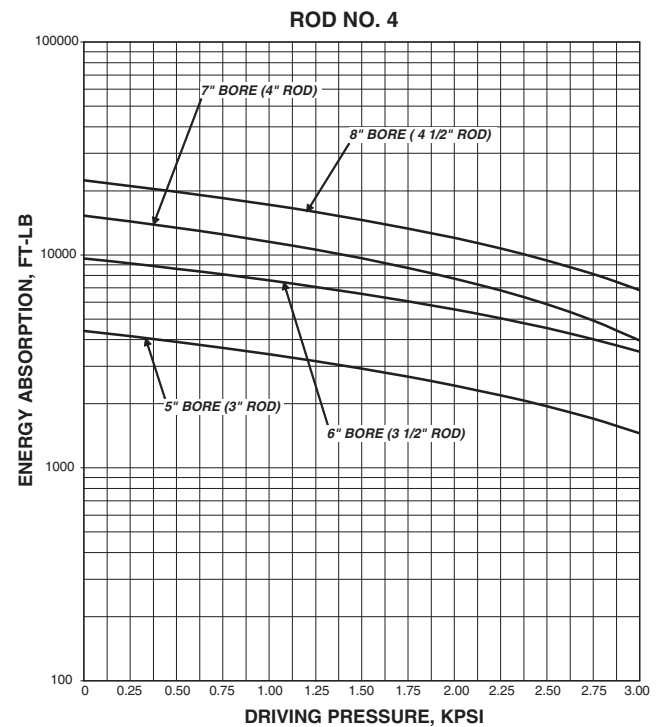
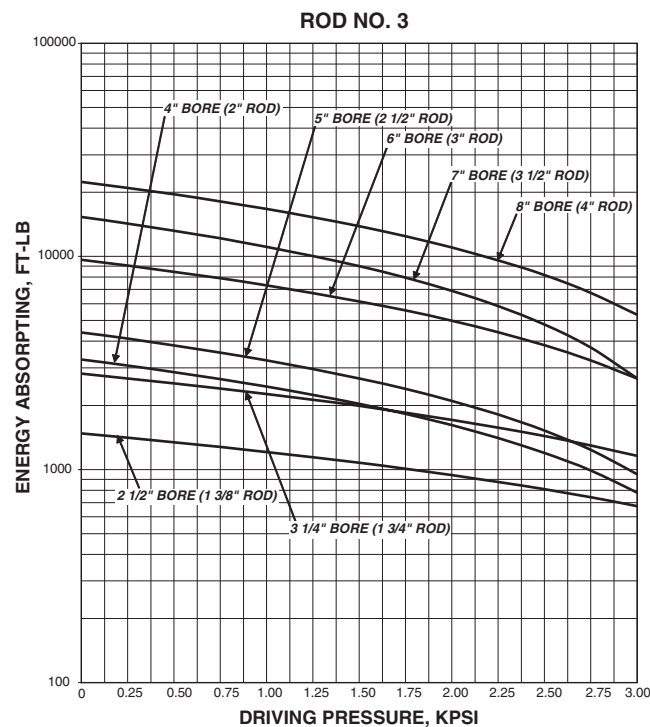
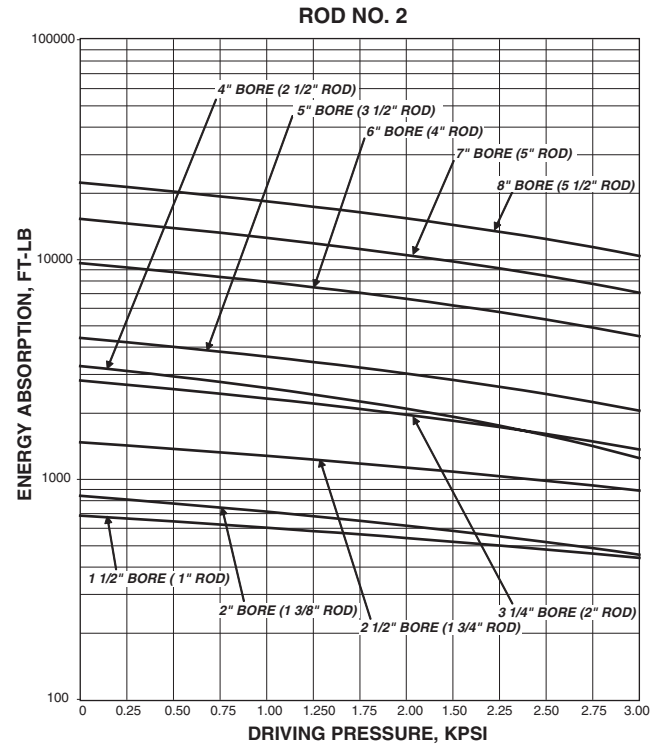
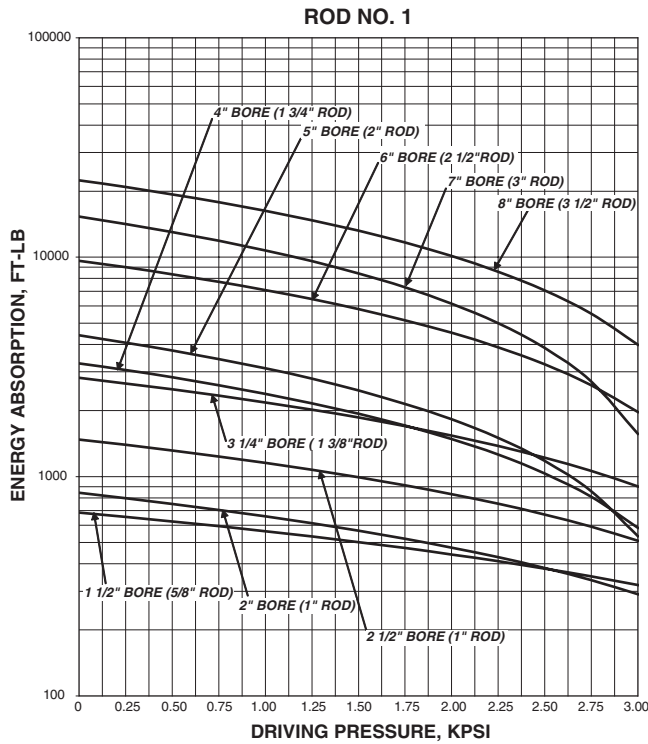
Cushioning

Cushion Energy Absorption Capacity Data

The cushion energy absorption data shown below is based on the maximum fatigue-free pressure developed in the tube. For application with a life cycle of less than 10^6 cycles, greater

energy absorption figures can be applied. Please consult the factory if further information is required.

Cap End



For Cylinder Division Plant Locations – See Page II.

Series 2H and 7" & 8" Bore 3H Hydraulic Cylinders

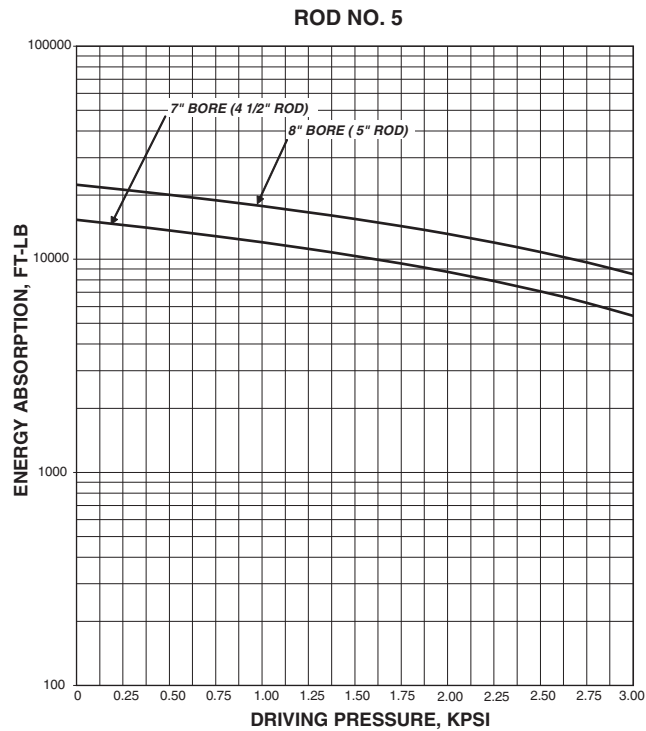
Cushioning

Cushion Energy Absorption Capacity Data

The cushion energy absorption data shown below is based on the maximum fatigue-free pressure developed in the tube. For application with a life cycle of less than 10^6 cycles, greater

energy absorption figures can be applied. Please consult the factory if further information is required.

Cap End



For additional information – call your local Parker Cylinder Distributor.

NOTES

C

For Cylinder Division Plant Locations – See Page II.

One of the factors involved in determining the speed of a hydraulic cylinder piston is fluid flow in connecting lines, generally measured in gallons per minute, introduced to, or expelled from, cap end cylinder port. (Due to piston rod displacement, the flow at head end port will be less than at cap end.) Fluid velocity, however, is measured in feet per second. In connecting lines this velocity should generally be limited to 15 feet per second to minimize fluid turbulence, pressure loss and hydraulic shock.

Piston speed for cylinders can be calculated from data shown in **table B-5**. The table shows fluid velocity flow for major cylinder

areas as well as for the net area at the rod end for cylinders 1" through 14" bore size.

If desired piston speed results in fluid flow in excess of 15 feet per second in connecting lines, consider the use of larger lines up to cylinder port, using either oversized ports or two ports per cap.

If heavy loads are involved or piston speeds are in excess of 20 feet per minute and the piston will make a full stroke, cushions are recommended. Cushions increase cylinder life and reduce undesirable noise.

Table b-5

Cylinder Bore (Inches)	Piston Rod		Cylinder Net Area (Sq. In.)	Fluid Displacement at 10 Ft. Per Min. Piston Velocity		Fluid Velocity (In Feet Per Second) Through Extra Heavy Pipe at 10 F.P.M. Piston Speed. For Series 2H Cylinders Standard Port Size is First to Left of Heavy Black Line.								
	Dia. (Inches)	Area (Sq. In.)		GPM	CFM	1/4	3/8	1/2	3/4	1	1 1/4	1 1/2	2	2 1/2
1	0	0	.785	.41	.054	1.82	.92	.56	.30	.183	.102	.074	.045	—
	1/2	.196	.589	.30	.041	1.33	.68	.41	.21	.134	.075	.055	.033	—
	5/8	.307	.478	.16	.033	.71	.36	.22	.12	.071	.040	.029	.017	—
1 1/2	0	.0	1.77	.92	.123	4.09	2.09	1.259	.680	.410	.230	.167	.100	—
	5/8	.307	1.46	.76	.101	3.38	1.73	1.040	.562	.338	.190	.138	.082	—
	1	.785	.98	.51	.068	2.27	1.16	.699	.378	.228	.128	.093	.055	—
2	0	0	3.14	1.63	.218	7.27	3.71	2.238	1.209	.728	.408	.296	.177	—
	5/8	.307	2.84	1.48	.197	6.56	3.35	2.019	1.091	.657	.368	.267	.160	—
	1	.785	2.36	1.23	.164	5.45	2.79	1.678	.907	.546	.306	.222	.133	—
2 1/2	0	0	4.91	2.55	.341	11.36	5.80	3.496	1.890	1.138	.638	.463	.277	—
	5/8	.307	4.60	2.39	.319	10.65	5.44	3.278	1.771	1.067	.598	.434	.260	—
	1	.785	4.12	2.14	.286	9.54	4.87	2.937	1.587	.956	.536	.389	.233	—
3 1/4	0	0	8.30	4.31	.576	19.20	9.81	5.909	3.193	1.923	1.078	.783	.468	—
	1	.785	7.51	3.90	.521	17.38	8.88	5.349	2.891	1.741	.976	.708	.424	—
	1 3/8	1.485	6.81	3.54	.473	15.77	8.05	4.851	2.622	1.579	.885	.642	.384	—
4	0	0	12.57	6.53	.872	29.09	14.85	8.95	4.84	2.91	1.63	1.19	.709	—
	1	.785	11.78	6.12	.818	27.27	13.93	8.39	4.54	2.73	1.53	1.11	.665	—
	1 3/8	1.485	11.08	5.76	.769	25.65	13.10	7.89	4.27	2.57	1.44	1.05	.625	—
5	0	0	19.64	10.20	1.363	45.45	23.21	13.99	7.56	4.55	2.55	1.85	1.108	—
	1	.785	18.85	9.79	1.308	43.64	22.28	13.43	7.26	4.37	2.45	1.78	1.064	—
	1 3/8	1.485	18.15	9.43	1.260	42.01	21.45	12.93	6.99	4.21	2.36	1.71	1.024	—
6	0	0	28.27	14.69	1.962	65.45	33.42	20.14	10.88	6.55	3.67	2.67	1.596	—
	1 3/8	1.485	26.79	13.92	1.859	62.01	31.67	19.08	10.31	6.21	3.48	2.53	1.512	—
	1 3/4	2.405	25.87	13.44	1.795	59.88	30.58	18.43	9.96	5.60	3.36	2.44	1.460	—
7	0	0	37.71	19.63	2.716	88.41	45.17	27.14	14.84	8.81	5.00	3.50	2.100	—
	1 3/4	2.405	36.81	19.15	2.661	86.79	44.24	26.57	14.37	8.45	4.88	3.38	2.056	—
	2	3.142	35.93	18.67	2.606	85.16	43.31	26.00	13.90	8.09	4.76	3.26	2.012	—
8	0	0	47.12	24.54	3.542	116.41	59.64	35.41	19.84	11.71	6.66	4.66	2.800	—
	2	3.142	46.24	24.06	3.487	114.79	58.71	34.84	19.37	11.35	6.54	4.54	2.756	—
	2 1/2	4.909	45.36	23.58	3.432	113.16	57.78	34.27	18.90	10.99	6.42	4.42	2.712	—
9	0	0	56.52	29.45	4.478	147.61	75.11	46.51	26.74	15.61	8.81	6.16	3.600	—
	2 1/2	4.909	55.64	28.97	4.423	145.99	74.18	45.94	26.27	15.25	8.69	6.04	3.556	—
	3	7.069	54.76	28.49	4.368	144.36	73.25	45.37	25.80	14.89	8.57	5.92	3.512	—
10	0	0	65.88	34.34	5.514	181.61	92.44	58.84	34.68	20.41	11.61	8.00	4.800	—
	3	7.069	64.99	33.86	5.459	179.99	91.51	58.27	34.21	20.05	11.49	7.88	4.756	—
	3 1/2	9.621	64.11	33.38	5.404	178.36	90.58	57.70	33.74	19.69	11.37	7.76	4.712	—
11	0	0	75.04	39.23	6.660	219.61	111.51	71.17	43.56	25.01	14.41	10.00	6.000	—
	3 1/2	9.621	74.15	38.75	6.605	217.99	110.58	70.60	43.09	24.65	14.29	9.88	5.956	—
	4	12.566	73.27	38.27	6.550	216.36	109.65	70.03	42.62	24.29	14.17	9.76	5.912	—

For additional information – call your local Parker Cylinder Distributor.

Hydraulic and Pneumatic Cylinders

Hydraulic Cylinder Port Sizes and Piston Speed

Table b-5 (cont.)

Cylinder Bore (Inches)	Piston Rod		Cylinder Net Area (Sq. In.)	Fluid Displacement at 10 Ft. Per Min. Piston Velocity		Fluid Velocity (In Feet Per Second) Through Extra Heavy Pipe at 10 F.P.M. Piston Speed. For Series 2H Cylinders Standard Port Size is first to Left of Heavy Black Line.								
	Dia. (Inches)	Area (Sq. In.)		GPM	CFM	1/4	3/8	1/2	3/4	1	1 1/4	1 1/2	2	2 1/2
7	0	0	38.49	20.00	2.671	89.1	45.5	27.41	14.81	8.92	5.00	3.63	2.17	—
	1 ³ / ₈	1.485	37.00	19.22	2.568	85.7	43.7	26.35	14.24	8.58	4.81	3.49	2.09	—
	1 ³ / ₄	2.405	36.08	18.74	2.504	83.5	42.7	25.70	13.89	8.36	4.69	3.40	2.04	—
	2	3.142	35.34	18.36	2.453	81.8	41.8	25.17	13.60	8.19	4.59	3.33	2.00	—
	2 ¹ / ₂	4.909	33.58	17.44	2.330	77.7	39.7	23.92	12.92	7.78	4.36	3.17	1.90	—
	3	7.069	31.42	16.32	2.181	72.7	37.1	22.38	12.09	7.28	4.08	2.96	1.77	—
	3 ¹ / ₂	9.621	28.86	14.99	2.003	66.8	34.1	20.56	11.11	6.69	3.75	2.72	1.63	—
	4	12.566	25.92	13.47	1.799	60.0	30.6	18.46	9.98	6.01	3.37	2.45	1.46	—
	4 ¹ / ₂	15.904	22.58	11.73	1.567	52.3	26.7	16.08	8.69	5.23	2.93	2.12	1.28	—
5	19.635	18.85	9.79	1.308	43.6	22.3	13.43	7.26	4.37	2.45	1.78	1.06	—	
8	0	0	50.27	26.12	3.489	116.4	59.4	35.80	19.35	11.65	6.53	4.74	2.84	1.977
	1 ³ / ₈	1.485	48.78	25.34	3.385	112.9	57.7	34.74	18.78	11.31	6.34	4.60	2.75	1.918
	1 ³ / ₄	2.405	47.86	24.86	3.321	110.8	56.6	34.09	18.42	11.09	6.22	4.51	2.70	1.882
	2	3.142	47.12	24.48	3.270	109.1	55.7	33.56	18.14	10.92	6.12	4.45	2.66	1.853
	2 ¹ / ₂	4.909	45.36	23.57	3.149	105.0	53.61	32.31	17.46	10.51	5.892	4.278	2.560	1.784
	3	7.069	43.20	22.44	2.998	100.0	51.06	30.77	16.63	10.01	5.612	4.074	2.438	1.699
	3 ¹ / ₂	9.621	40.65	21.12	2.821	94.1	48.04	28.95	15.65	9.42	5.279	3.834	2.294	1.598
	4	12.566	37.70	19.59	2.616	87.3	44.56	26.85	14.51	8.74	4.897	3.556	2.128	1.483
	4 ¹ / ₂	15.904	34.36	17.85	2.385	79.5	40.62	24.47	13.23	8.20	4.464	3.241	1.939	1.351
5	19.635	30.63	15.91	2.126	70.9	36.21	21.82	11.79	7.10	3.979	2.889	1.729	1.205	
5 ¹ / ₂	23.758	26.51	13.77	1.840	61.4	31.33	18.88	10.20	6.15	3.444	2.500	1.496	1.043	
10	0	0	78.54	40.80	5.451	181.8	92.84	55.94	30.23	18.21	10.203	7.408	4.433	3.089
	1 ³ / ₄	2.405	76.14	39.56	5.284	176.2	89.99	54.23	29.31	17.65	9.890	7.181	4.297	2.994
	2	3.142	75.40	39.17	5.233	174.5	89.12	53.70	29.02	17.48	9.795	7.112	4.255	2.965
	2 ¹ / ₂	4.909	73.63	38.25	5.110	170.4	87.03	52.44	28.34	17.07	9.565	6.945	4.156	2.896
	3	7.069	71.47	37.13	4.960	165.4	84.48	50.91	27.51	16.57	9.284	6.741	4.034	2.811
	3 ¹ / ₂	9.621	68.92	35.80	4.783	159.5	81.47	49.09	26.53	15.98	8.953	6.501	3.890	2.710
	4	12.566	65.97	34.27	4.578	152.7	77.98	46.99	25.39	15.29	8.570	6.223	3.724	2.595
	4 ¹ / ₂	15.904	62.64	32.54	4.347	145.0	74.04	44.61	24.11	14.52	8.137	5.908	3.535	2.463
	5	19.635	58.91	30.60	4.088	136.4	69.63	41.96	22.67	13.65	7.652	5.556	3.325	2.317
	5 ¹ / ₂	23.758	54.78	28.46	3.802	126.8	64.75	39.02	21.09	12.70	7.116	5.167	3.092	2.154
6	28.274	50.27	26.12	3.489	116.4	59.42	35.80	19.35	11.65	6.530	4.741	2.837	1.977	
6 ¹ / ₂	33.183	45.36	23.57	3.148	105.0	53.6	32.31	17.46	10.52	5.89	4.278	2.560	1.784	
7	38.485	40.06	20.81	2.780	92.7	47.4	28.53	15.42	9.29	5.20	3.778	2.261	1.575	
12	0	0	113.10	58.76	7.849	261.8	133.7	80.55	43.53	26.22	14.69	10.668	6.383	4.448
	2	3.142	109.96	57.12	7.631	254.5	130.0	78.32	42.32	25.49	14.28	10.371	6.206	4.324
	2 ¹ / ₂	4.909	108.19	56.21	7.508	250.4	127.9	77.06	41.64	25.08	14.05	10.205	6.106	4.255
	3	7.069	106.03	55.08	7.359	245.4	125.3	75.52	40.81	24.58	13.77	10.001	5.984	4.170
	3 ¹ / ₂	9.621	103.48	53.76	7.182	239.5	122.3	73.70	39.83	23.99	13.44	9.760	5.840	4.069
	4	12.566	100.53	52.23	6.977	232.7	118.8	71.60	38.70	23.30	13.06	9.482	5.674	3.954
	4 ¹ / ₂	15.904	97.19	50.49	6.745	225.0	114.9	69.23	37.41	22.53	12.63	9.168	5.486	3.822
	5	19.635	93.46	48.55	6.486	216.4	110.5	66.57	35.98	21.67	12.14	8.816	5.275	3.676
	5 ¹ / ₂	23.758	89.34	46.41	6.200	206.8	105.6	63.63	34.39	20.71	11.61	8.427	5.042	3.513
	6	28.274	84.82	44.06	5.887	196.4	100.3	60.42	32.65	19.66	11.02	8.001	4.787	3.336
6 ¹ / ₂	33.183	79.92	41.52	5.547	185.0	94.5	56.92	30.76	18.53	10.38	7.538	4.510	3.143	
7	38.485	74.61	38.77	5.179	172.7	88.2	53.14	28.72	17.30	9.69	7.038	4.211	2.934	
7 ¹ / ₂	44.179	68.92	35.80	4.783	159.5	81.5	49.09	26.53	15.98	8.95	6.501	3.890	2.710	
8	50.266	62.83	32.64	4.360	145.4	74.3	44.75	24.19	14.57	8.16	5.926	3.546	2.471	
8 ¹ / ₂	56.745	56.35	29.27	3.911	130.5	66.6	40.14	21.69	13.06	7.32	5.315	3.181	2.216	
14	0	0	153.94	79.97	10.683	356.3	182.0	109.6	59.25	35.68	20.00	14.52	8.688	6.054
	2 ¹ / ₂	4.909	149.03	77.42	10.343	345.0	176.2	106.2	57.36	34.55	19.36	14.06	8.411	5.861
	3	7.069	146.87	76.30	10.193	340.0	173.6	104.6	56.53	34.05	19.08	13.85	8.289	5.776
	3 ¹ / ₂	9.621	144.32	74.97	10.016	334.1	170.6	102.8	55.55	33.45	18.75	13.61	8.145	5.676
	4	12.566	141.37	73.44	9.811	327.3	167.1	100.7	54.42	32.77	18.37	13.33	7.979	5.560
	4 ¹ / ₂	15.904	138.03	71.71	9.579	319.5	163.2	98.3	53.13	32.00	17.93	13.02	7.791	5.428
5	19.635	134.30	69.77	9.320	310.9	158.8	95.7	51.70	31.13	17.45	12.67	7.580	5.282	
5 ¹ / ₂	23.758	130.18	67.63	9.035	301.3	153.9	92.7	50.11	30.18	16.91	12.28	7.347	5.120	

For Cylinder Division Plant Locations – See Page II.



C

Cushion ratings for **Air Cylinders Only** are described in **table b-7** and **graph b-3**. To determine whether a cylinder will adequately stop a load without damage to the cylinder, the weight of the load (including the weight of the piston and the piston rod from **table b-6**) and the maximum speed of the piston rod must first be determined. Once these two factors are known, the **Kinetic Energy Graph** may be used. Enter the graph at its base for the value of weight determined, and project vertically to the required speed value. The point of intersection of these two lines will be the cushion rating number required for the application.

To determine the total load to be moved, the weight of the piston and rod must be included.

Total Weight = weight of the piston and non-stroke rod length (column 1) + weight of the rod per inch of stroke x the inches of stroke (Column 2) + the load to be move.

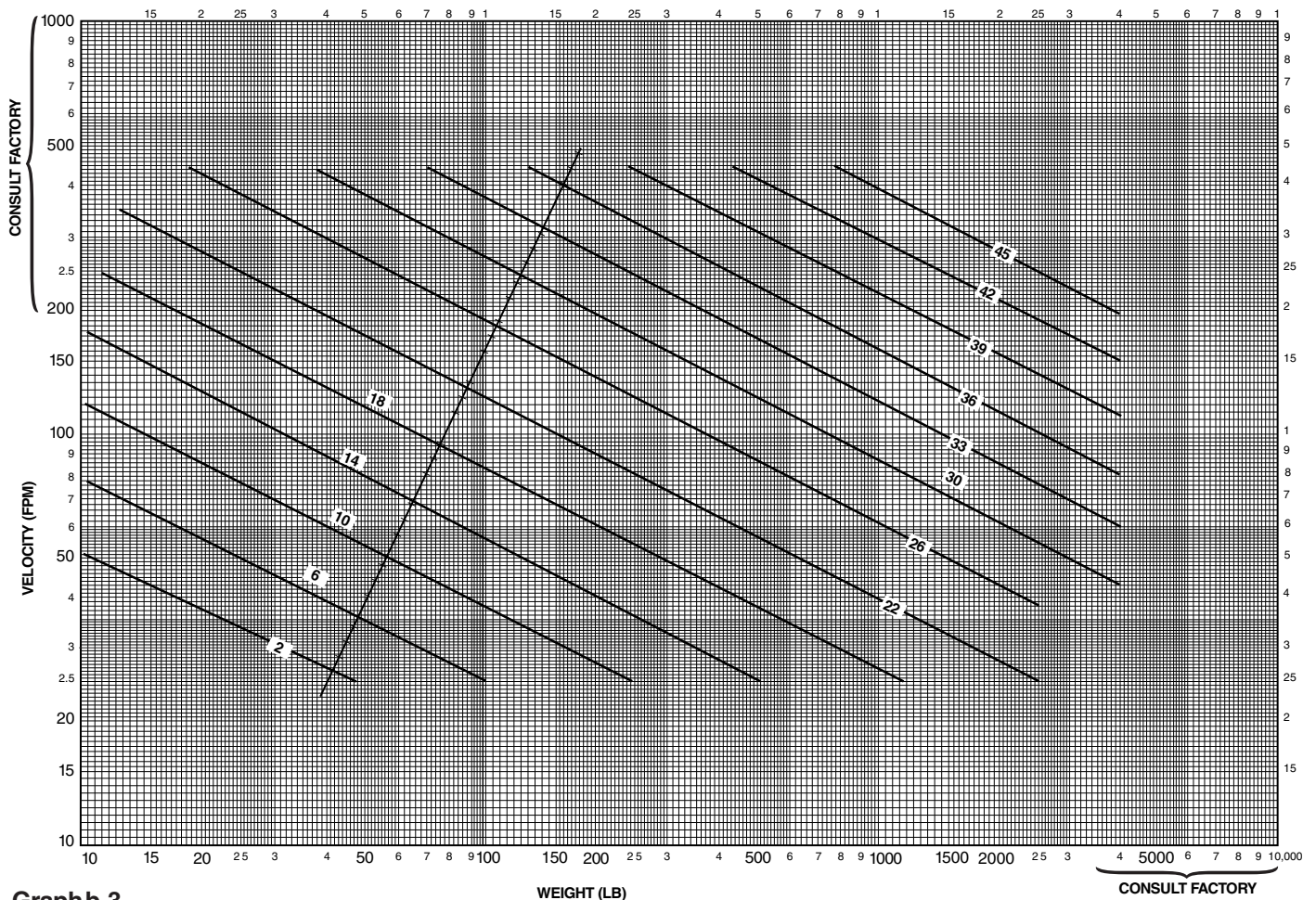
Weight Table

Bore Dia.	Column 1 Basic Wgt. (lbs.) for Piston & Non-Stroke Rod	Rod Dia.	Column 2 Basic Wgt. (lbs.) for 1" Stroke
1 1/2	1.5	5/8	.087
2	3.0	1	.223
2 1/2	5.4	1 3/8	.421
3 1/4	8.3	1 3/4	.682
4	14.2	2	.89
5	29.0	2 1/2	1.39
6	41.0	3	2.0
8	89.0	3 1/2	2.73
10	115.0	4	3.56
12	161.0	5	5.56
14	207.0	5 1/2	6.73

Tableb-6

Example: a 3 1/4" bore cylinder, having a 1" diameter rod and 25" stroke; load to be moved is 85 pounds. Total load to be moved is then 8.3 lbs. + .223 lbs./in. x 25 in. + 85 lbs. or a total of 99 lbs.

Kinetic Energy Graph – Air Cylinders



Graphb-3

For additional information – call your local Parker Cylinder Distributor.

Hydraulic and Pneumatic Cylinders

Air Cylinder Cushion Ratings Air Requirements

Now refer to **table b-7** and find the cushion ratings, using bore size and rod diameter of the cylinder selected. If a simple circuit is used, with no meter out or speed control, use the "no back pressure, Column A" values. If a meter out or speed control is to be used, use the back pressure column values. If the cushion rating found in **table b-7**, below, is **greater** than the number determined in **graph**

b-3, then the cylinder will stop the load adequately. If the cushion rating in **table b-7** is **smaller** than the number found in **graph b-3**, then a larger bore cylinder should be used. In those applications where back pressures exist in the exhaust lines, it is possible to exceed the cushion ratings shown in **table b-7**. In these cases, consult the factory and advise the amount of back pressure.

Air Cylinder Cushion Ratings Table

Bore Dia.	Rod Dia.	Rating With No Back Pressure	Rating With Back Pressure	Bore Dia.	Rod Dia.	Rating With No Back Pressure	Rating With Back Pressure
1 1/2	Cap End	12	17	7	3	24	30
	5/8	8	14		3 1/2	24	30
	1	3	8		4	23	29
2	Cap End	14	20		4 1/2	22	28
	5/8	12	18		5	21	27
	1	9	15		Cap End	29	35
	1 3/8	6	11		1 3/8	29	35
2 1/2	Cap End	17	23		1 3/4	29	34
	5/8	14	20		2	27	33
	1	14	19		2 1/2	26	32
	1 3/8	12	18	3	26	32	
	1 3/4	8	13	3 1/2	26	32	
3 1/4	Cap End	21	26	4	25	31	
	1	18	24	5	23	29	
	1 3/8	17	23	5 1/2	22	28	
	1 3/4	16	22	Cap End	33	39	
	2	13	19	1 3/4	32	38	
4	Cap End	23	28	2	31	37	
	1	20	27	2 1/2	31	36	
	1 3/8	20	26	3	30	36	
	1 3/4	19	25	3 1/2	30	36	
	2	17	23	4	30	36	
	2 1/2	17	22	5	28	34	
5	Cap End	26	31	5 1/2	27	33	
	1	23	28	Cap End	35	41	
	1 3/8	23	28	2	33	39	
	1 3/4	22	28	2 1/2	33	38	
	2	20	26	3	33	38	
	2 1/2	19	25	3 1/2	32	38	
	3	18	24	4	32	38	
6	3 1/2	15	20	5	31	36	
	Cap End	26	31	5 1/2	31	36	
	1 3/8	26	31	Cap End	38	43	
	1 3/4	26	31	2 1/2	37	42	
	2	24	29	3	36	42	
	2 1/2	24	29	3 1/2	36	41	
	3	22	28	4	36	41	
	3 1/2	21	27	5	35	40	
7	4	20	26	5 1/2	34	40	
	Cap End	28	33				
	1 3/8	28	33				
	1 3/4	28	33				
	2	26	31				
	2 1/2	25	30				

Tableb-7

Air Requirement Per Inch of Cylinder Stroke

The amount of air required to operate a cylinder is determined from the volume of the cylinder and its cycle in strokes per minute. This may be determined by use of the following formulae which apply to a single-acting cylinder.

$$V = \frac{3.1416 LD^2}{4} \quad C = \frac{fV}{1728}$$

Where: V = Cylinder volume, cu. in.
 L = Cylinder stroke length, in.
 D = Internal diameter of cylinder in.
 C = Air required, cfm
 f = Number of strokes per minute

The air requirements for a double-acting cylinder is almost double that of a single-acting cylinder, except for the volume of the piston rod.

For Cylinder Division Plant Locations – See Page II.



C

Hydraulic and Pneumatic Cylinders

Air Requirements

The air flow requirements of a cylinder in terms of cfm should not be confused with compressor ratings which are given in terms of free air. If compressor capacity is involved in the consideration of cylinder air requirements it will be necessary to convert cfm values to free air values. This relationship varies for different gauge pressures.

Thrust (pounds) = operating pressure x area of cylinder bore.

Note: That on the "out" stroke the air pressure is working on the entire piston area but on the "in" stroke the air pressure works on the piston area less the rod area.

Graph b-4 and **b-5** offer a simple means to select pneumatic components for dynamic cylinder applications. It is only necessary to know the force required, the desired speed and the pressure which can be maintained at the

inlet to the F-R-L "Combo." The graphs assume average conditions relative to air line sizes, system layout, friction, etc. At higher speeds, consider appropriate cushioning of cylinders.

The general procedure to follow when using these graphs is:

1. Select the appropriate graph depending upon the pressure which can be maintained to the system – **graph b-4** for 100 psig and **graph b-5** for 80 psig.
2. Determine appropriate cylinder bore. Values underneath the diagonal cylinder bore lines indicate the maximum recommended dynamic thrust developed while the cylinder is in motion. The data in the table at the bottom of each graph indicates available static force applications in which clamping force is a prime consideration in determining cylinder bore.

THIS GRAPH IS DETERMINED BY HAVING 100 PSIG AVAILABLE UNDER FLOWING CONDITIONS.

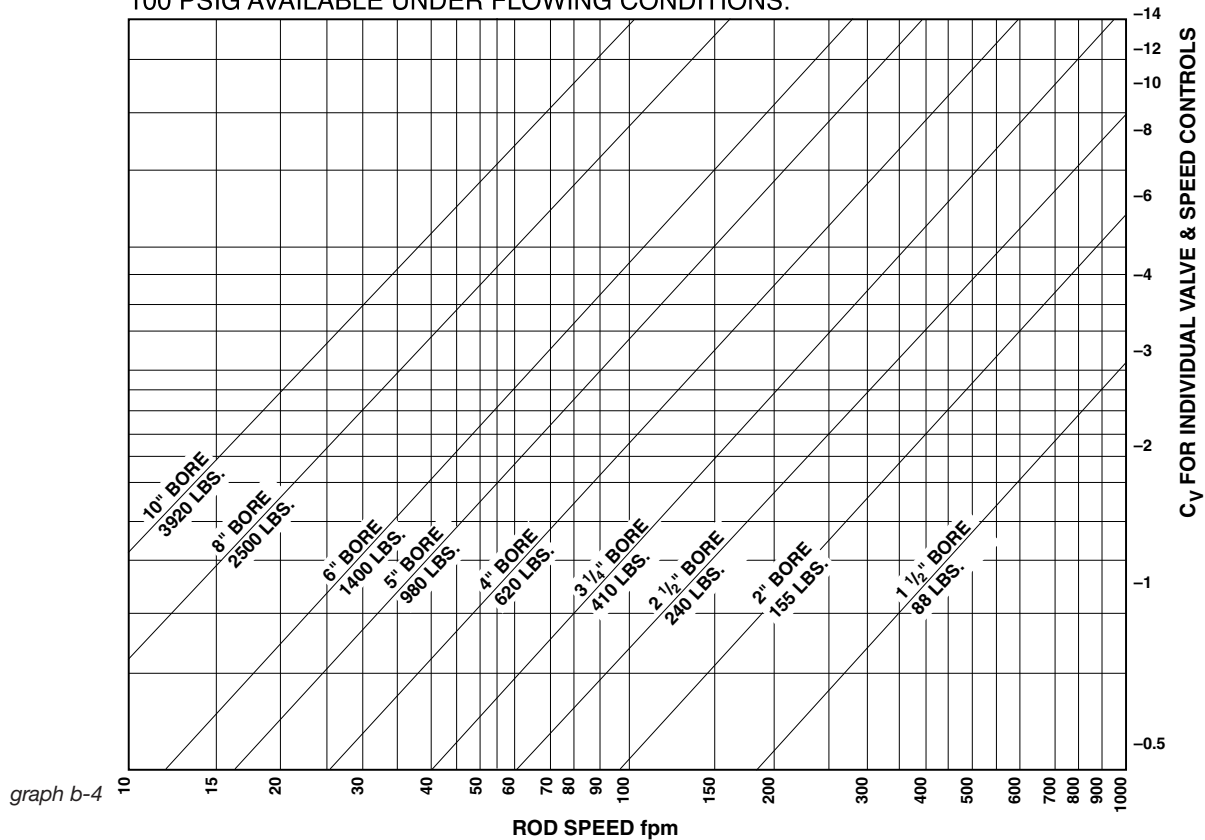


Table b-8
Thrust Developed

BORE SIZE	1 1/2"	2"	2 1/2"	3 1/4"	4"	5"	6"	8"	10"
DYNAMIC THRUST (lbs.)	88	155	240	410	620	980	1400	5020	3920
STATIC THRUST (lbs.)	177	314	491	830	1250	1960	2820	5020	7850

For additional information – call your local Parker Cylinder Distributor.

3. Read upward on appropriate rod speed line to intersection with diagonal cylinder bore line. Read right from intersection point to determine the required C_v of the valve and the speed controls. Both the valve and speed controls must have this C_v .

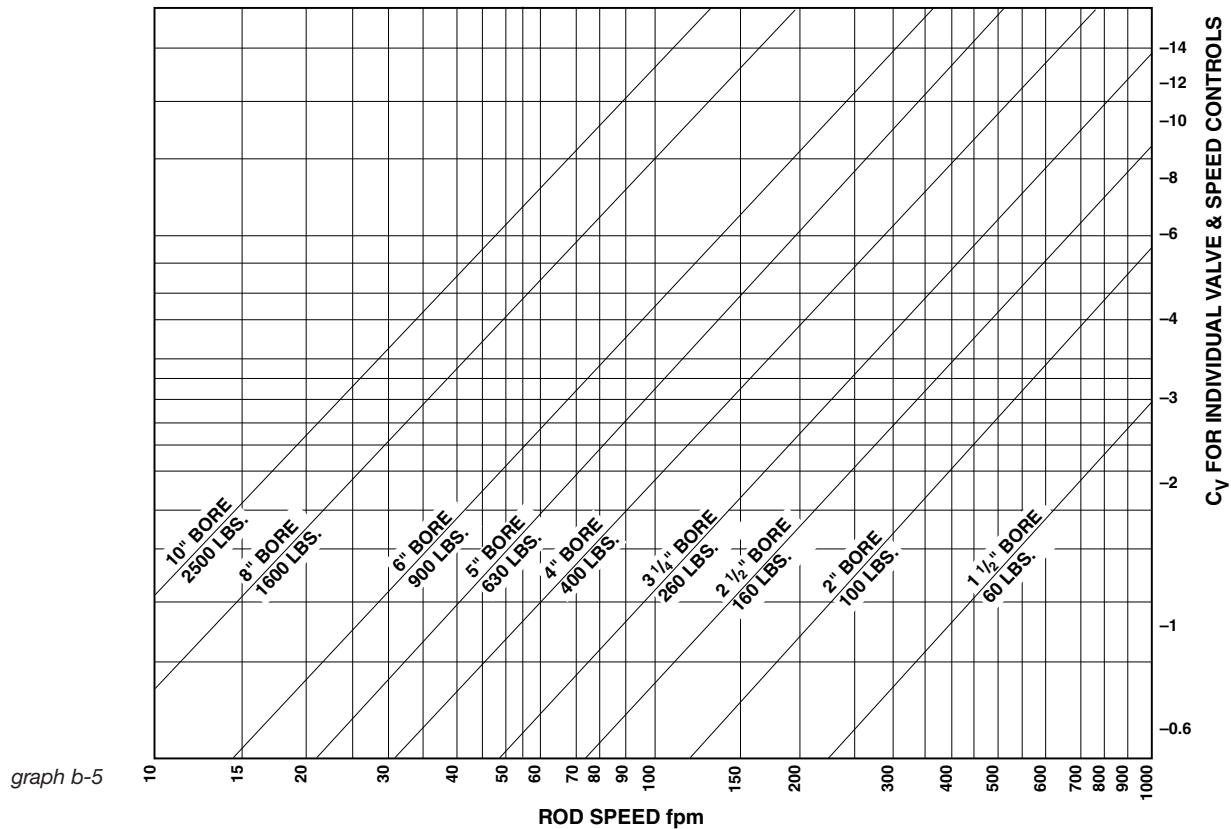
The following examples illustrate use of the graphs:

Example 1: Assume it is necessary to raise a 900-pound load 24 inches in two seconds. With 100 psig maintained at the inlet to the F-R-L, use **graph b-4**. The 5-inch bore cylinder is capable of developing the required thrust while in motion. Since 24 inches in two seconds is equal to 60 fpm, read upward on the 60 fpm line to the intersection of the 5-inch bore diagonal line. Reading to the right indicates that the required valve and speed controls must each have a C_v of over 1.9.

Example 2: Assume similar conditions to Example 1 except that only 80- psig will be available under flowing conditions. Using **graph b-5**, a 6-inch bore cylinder is indicated. Read upward on the 60 fpm line to the intersection point. Interpolation of the right-hand scale indicates a required valve and speed control C_v of over 2.8.

Example 3: Assume similar conditions to Example 1 except that the load is being moved in a horizontal plane with a coefficient of sliding friction of 0.2. Only a 180-pound thrust is now required (900 lb. x 0.2). Consult **graph b-4**. The 2 1/2 inch bore cylinder will develop sufficient thrust, and at 60 fpm requires a valve and speed control C_v of about 0.5.

THIS GRAPH IS DETERMINED BY HAVING 80 PSIG AVAILABLE UNDER FLOWING CONDITIONS.



Tableb-9
Thrust Developed

BORE SIZE	1 1/2	2	2 1/2	3 1/4	4	5	6	8	10
DYNAMIC THRUST (lbs.)	60	100	160	260	400	630	900	1600	2500
STATIC THRUST (lbs.)	141	251	393	663	1000	1570	2260	4010	6280

For Cylinder Division Plant Locations – See Page II.

Modifications: The following modifications can be supplied on most Parker cylinders. For specific availability see modification chart on page 3.

Metallic Rod Wiper

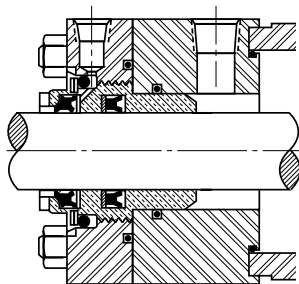
When specified metallic rod wipers can be supplied instead of the standard synthetic rubber wiperseal. Recommended in applications where contaminants tend to cling to the extended piston rod and would damage the synthetic rubber wiperseal. Installation of metallic rod wiper does not affect cylinder dimensions. It is available at extra cost.

Gland Drain – Series 2H. For other cylinders, consult factory.

Hydraulic fluids tend to adhere to the piston rods, during the extend stroke, and an accumulation of fluid can collect in the cavity behind the gland wiperseal on long stroke cylinders.

A 1/8" N.P.T.F. gland drain port can be provided in the gland retainer. A passage in the gland between the wiperseal and lipseal is provided to drain off any accumulation of fluid between the seals. See drawing below.

It is recommended that the gland drain port be piped back to the fluid reservoir and that the reservoir be located below the level of the head of the cylinder.

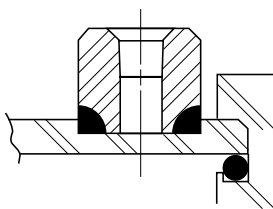


On 1 1/2" bore size Series 2H cyls., the drain port is located in the head adjacent to the port and on code 2 rod, the retainer thickness increases to 5/8". On 2" thru 8" bore sizes the drain port is located in the retainer as shown.

Air Bleeds

In most hydraulic circuits, cylinders are considered self-bleeding when cycled full stroke. If air bleeds are required and specified, 1/8" NPTF Air Bleed Ports for venting air can be provided at both ends of the cylinder body, or on the head or cap. To order, specify "Bleed Port", and indicate position desired.

Air Bleed Port

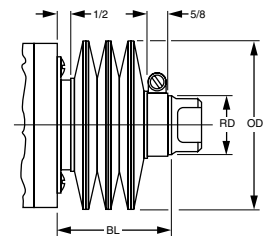


Rod End Boots

Cylinders have a hardened bearing surface on the piston rod to resist external damage, and are equipped with the high efficiency "Wiperseal" to remove external dust and dirt. Exposed piston rods that are subjected to contaminants with air hardening properties, such as paint, should be protected. In such applications, the use of a collapsing cover should be considered. This is commonly referred to as a "boot". Calculate the longer rod end required to accommodate the collapsed length of the boot from the following data.

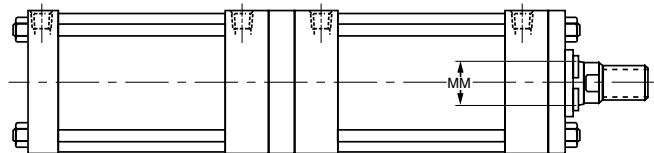
LF	.13	.13	.13	.13	.13	.13	.13	.10	.10	.10	.10	.10
OD	2 1/4	2 1/4	2 5/8	3	3 3/8	3 3/4	4 3/8	5 1/8	5 5/8	6 1/4	7	7 1/2
RD	1/2	5/8	1	1 3/8	1 3/4	2	2 1/2	3	3 1/2	4	5	5 1/2

To determine extra length of piston rod required to accommodate boot, calculate
 $BL = \text{Stroke} \times LF + 1/8"$
 $BL + \text{Std. LA} = \text{length of piston rod to extend beyond the retainer.}$
 NOTE: Check all Boot O.D.'s against std. "E" dimension from catalog. This may be critical on foot mounted cylinders.



Tandem Cylinders

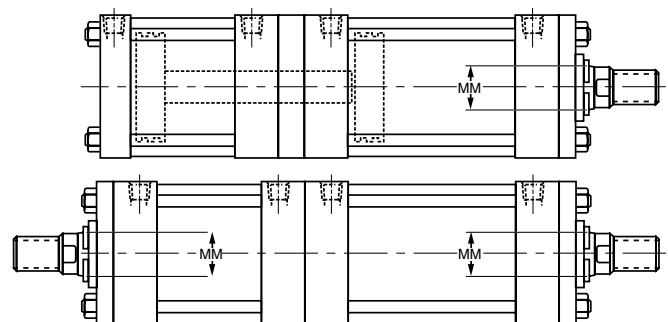
A tandem cylinder is made up of two cylinders mounted in line with pistons connected by a common piston rod and rod seals installed between the cylinders to permit double acting operation of each. Tandem cylinders allow increased output force when mounting width or height are restricted.



Reduced operating pressure is required for this construction. Contact factory.

Duplex Cylinders

A duplex cylinder is made up of two cylinders mounted in line with pistons not connected and with rod seals installed between the cylinders to permit double acting operation of each. Cylinders may be mounted with piston rod to piston (as shown) or back to back and are generally used to provide three position operation.



Reduced operating pressure is required for this construction. Contact factory.

For additional information – call your local Parker Cylinder Distributor.

Hydraulic and Pneumatic Cylinders

Cylinder Weights

The weights shown in Tables A and B are for Parker Series 2H, 3H (7" & 8"), HD, VH, 3L, 2A, 2AN and MA cylinders with various piston rod diameters. To determine the net weight of a cylinder, first select the proper basic weight for zero stroke, then calculate the weight of the cylinder stroke and add the result to the basic weight. For extra rod extension use

piston rod weights per inch shown in Table C. Weights of cylinders with intermediate rods may be estimated from table below by taking the difference between the piston rod weights per inch and adding it to the Code 1 weight for the cylinder bore size involved. To determine the net weight of Series VH cylinders, use data in Table A and multiply by 1.10.

Table A Cylinder Weights, in pounds, for Series 2H, 3H (7" & 8"), HD and VH hydraulic cylinders

Bore Size	Rod Dia.	Rod Code	Single Rod Cylinders Basic Wt. Zero Stroke		Add Per Inch of Stroke	Double Rod Cylinders Basic Wt. Zero Stroke		Add Per Inch of Stroke
			F, H, HB, J, JB T, TB, TC, TD	BB, C, CB, D, DB DD, E, G, HH, JJ		KF, KJ KJB KT, KTB, KTD	KC, KCB, KD KDD, KE, KJJ	
1 1/2"	5/8"	1	7.8	9.0	.5	9.7	10.8	.6
	1"	2	8.4	9.3	.6	9.1	10.7	.8
2"	1"	1	11.6	13.2	.8	14.6	16.8	1.0
	1 3/8"	2	13.5	17.1	1.0	19.4	20.6	1.4
2 1/2"	1"	1	17.0	19.5	1.1	21.0	24.5	1.3
	1 3/4"	2	22.5	25.5	1.5	27.0	30.0	2.2
3 1/4"	1 3/8"	1	32.0	41.0	1.8	43.0	52.0	2.2
	2"	2	37.0	46.0	2.2	48.0	57.0	3.1
4"	1 3/4"	1	48.0	53.0	2.5	59.0	63.0	3.2
	2 1/2"	2	52.0	58.0	3.2	92.0	97.0	4.6
5"	2"	1	76.0	82.0	3.4	96.0	102.0	4.8
	3 1/2"	2	88.0	86.0	5.2	117.0	123.0	7.9
6"	2 1/2"	1	125.0	133.0	5.2	153.0	159.0	6.6
	4"	2	133.0	140.0	7.3	182.0	190.0	10.9
7"	3"	1	233.0	242.0	6.7	320.0	339.0	8.7
	5"	2	240.0	253.0	10.3	341.0	360.0	15.9
8"	3 1/2"	1	262.0	276.0	9.0	323.0	331.0	11.7
	5 1/2"	2	300.0	309.0	13.0	390.0	411.0	19.7

Table B Cylinder Weights, in pounds, for Series 2A, 2AN, 3L and MA cylinders

Bore Size	Rod Dia.	Single Rod Cylinders Basic Wt. Zero Stroke		Add Per Inch of Stroke		Double Rod Cylinders Basic Wt. Zero Stroke		Add Per Inch of Stroke	
		T, TB, TC, TD, F, H, J	BB, C, CB, D, DB DD, E, HB, JB	2A, 2AN, 3L	Series MA	KF, KJ KT KTB, KTD	KC, KCB, KD KDD, KE, KJB	2A, 2AN, 3L	Series MA
1"	1/2"	2.5	2.9	.20	—	4.7	5.5	.40	—
	5/8"	2.6	3.0	.23	—	4.9	5.7	.46	—
1 1/2"	5/8"	3.7	4.3	.3	.25	4.2	4.8	.6	.5
	1"	4.5	5.1	.4	.35	5.8	6.7	.8	.7
2"	5/8"	6.5	6.9	.5	.4	8.2	8.6	1.0	.8
	1"	7.0	7.5	.63	.5	9.0	9.5	1.3	1.0
2 1/2"	1 3/8"	8.5	8.9	.8	—	11.2	11.6	1.6	—
	5/8"	9.0	9.7	.6	.5	11.4	12.1	1.2	1.0
3 1/4"	1"	9.5	10.0	.73	.6	12.0	12.5	1.5	1.2
	1 3/4"	13.2	13.6	1.1	—	19.8	20.5	2.2	—
4"	1"	16.5	17.5	.8	.65	22.0	23.0	1.6	1.3
	1 3/8"	17.0	18.0	1.0	.8	22.5	23.5	2.0	1.6
5"	2 1/2"	27.0	28.0	1.4	—	43.0	44.0	2.8	—
	1"	26.0	31.0	1.0	.8	33.0	38.0	2.0	1.6
6"	1 3/8"	26.5	31.5	1.2	1.0	33.5	38.5	2.5	2.0
	2 1/2"	36.0	42.0	2.0	—	53.0	58.0	4.0	—
7"	1"	39.0	46.0	1.1	.9	48.0	55.0	2.2	1.8
	1 3/8"	39.5	46.5	1.3	1.1	48.5	55.5	2.6	2.2
8"	3 1/2"	63.0	66.0	3.6	—	96.0	103.0	7.2	—
	1 3/8"	68.0	77.0	1.5	—	80.0	89.0	3.0	—
9"	4"	100.0	102.0	4.5	—	144.0	153.0	9.0	—
	1 3/8"	80.0	85.0	2.0	—	92.0	97.0	4.0	—
10"	2"	82.0	87.0	3.5	—	96.0	101.0	7.0	—
	1 3/8"	94.0	99.0	2.0	—	108.0	113.0	4.0	—
12"	5 1/2"	168.0	172.0	8.0	—	256.0	261.0	16.0	—
	1 3/4"	182.0	188.0	2.5	—	178.0	184.0	5.0	—
14"	5 1/2"	258.0	264.0	8.5	—	330.0	335.0	17.0	—
	2"	274.0	282.0	3.5	—	270.0	280.0	7.0	—
16"	5 1/2"	350.0	358.0	9.5	—	420.0	430.0	19.0	—
	2 1/2"	435.0	448.0	4.5	—	440.0	655.0	9.0	—
18"	5 1/2"	510.0	519.0	10.0	—	490.0	705.0	20.0	—

Table C

Rod Dia.	Piston Rod Wt. Per Inch	Rod Dia.	Piston Rod Wt. Per Inch	Rod Dia.	Piston Rod Wt. Per Inch
5/8"	.09	2"	.89	4"	3.56
1"	.22	2 1/2"	1.40	4 1/2"	4.51
1 3/8"	.42	3"	2.00	5"	5.56
1 3/4"	.68	3 1/2"	2.72	5 1/2"	6.72

For Cylinder Division Plant Locations – See Page II.



Series HMI Metric Hydraulic Cylinders

Mounting Information

Mounting Styles

General guidance for the selection of ISO mounting styles can be found in the HMI content of Section B. The notes which follow provide information for use in specific applications and should be read in conjunction with that information.

Trunnions

Trunnions require lubricated pillow blocks with minimum bearing clearances. Blocks should be aligned and mounted to eliminate bending moments on the trunnion pins. Self-aligning mounts must not be used to support the trunnions as bending forces can develop.

Intermediate trunnions may be positioned at any point on the cylinder body. This position, dimension XI, should be specified at the time of order. Trunnion position is not field adjustable.

Flange Mountings

Front flange-mounted (style JJ) cylinders incorporate a pilot diameter for accurate alignment on the mounting surface – see rod end dimensions for HMI cylinders. The gland retainer is

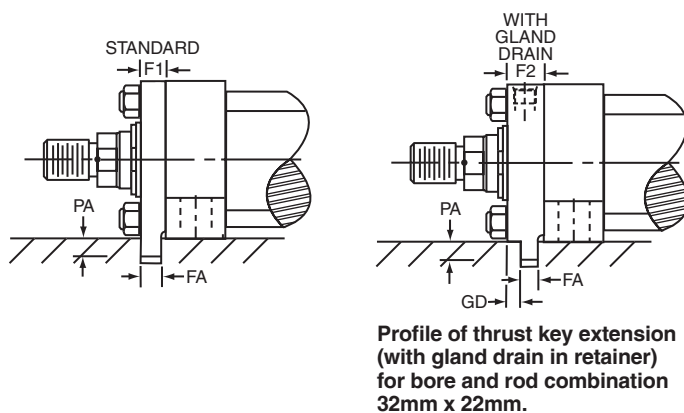
Foot Mountings and Thrust Keys

The bending moment which results from the application of force by a foot mounted cylinder must be resisted by secure mounting and effective guidance of the load. A thrust key modification is recommended to provide positive cylinder location.

Thrust key mountings eliminate the need for fitted bolts or external keys on Style C side mounted cylinders. The gland retainer plate of 25mm & 32mm bore cylinders is extended below the nominal mounting surface to fit into a keyway milled into the mounting surface of the machine member. To order a key retainer plate in 25mm & 32mm bores, specify P in the Mounting Modification field of the model code.

Bore Ø	Rod Ø	Nominal		FA -0.075	GD	PA -0.2
		F1 Standard	F2 w/Gland Drain			
25	All	10	10 ¹	8	–	5
32	14	10	10 ¹	8	–	5
	22	10	16	8	6	5

¹ Gland drain is in the head. See page 123 for additional details about gland drain ports.



Integral Key – 25mm & 32mm Bores

All dimensions are in millimeters unless otherwise stated.

integral with the head on 25, 32 and 40mm bore cylinders, while on 50mm bores and above, the circular retainer is bolted to the head.

Extended Tie Rods

Cylinders may be ordered with extended tie rods in addition to another mounting style. The extended tie rods may then be used for mounting other systems or machine components.

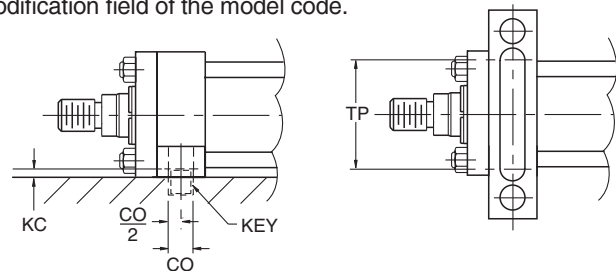
Pivot Mountings

Pivot pins are supplied with style BB cap fixed clevis mounted cylinders. Pivot pins are not supplied with the cap fixed eye mounting, style B, or the cap with spherical bearing, style SB, where pin length will be determined by the customer's equipment.

Spherical Bearings

The service life of a spherical bearing is influenced by such factors as bearing pressure, load direction, sliding velocity and frequency of lubrication. When considering severe or unusual working conditions, please consult the factory.

Cylinders 40mm to 200mm bore utilize a keyway milled into the Style C head on the mounting lug side. A key (supplied) fits into the cylinder keyway and a corresponding keyway in the mounting surface of the machine member. To order the milled keyway and key in 40mm to 200mm bores, specify K in the Mounting Modification field of the model code.



Milled Keyway – 40mm to 200mm Bore

Bore Ø	CO N9	KC +0.5	TP ² min
40	12	4	55
50	12	4.5	70
63	16	4.5	80
80	16	5	105
100	16	6	120
125	20	6	155
160	32	8	190
200	40	8	220

² Suggested Key Length

Bore Ø	Key			Part No.
	Width	Height	Length	
40	12	8	55	0941540040
50	12	8	70	0941540050
63	16	10	80	0941540063
80	16	10	105	0941540080
100	16	10	120	0941540100
125	20	12	155	0941540125
160	32 ³	18	190	0941540160
200	40	22	220	0941540200

³ Not to ISO6020/2.

For additional information – call your local Parker Cylinder Distributor.

Series HMI Metric Hydraulic Cylinders

Mounting Information

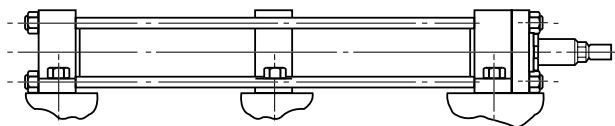
Mounting Bolts and Nuts

Parker recommends that mounting bolts with a minimum strength of ISO 898/1 grade 10.9 should be used for fixing cylinders to the machine or base. This recommendation is of particular importance where bolts are placed in tension or subjected to shear forces. Mounting bolts, with lubricated threads, should be torque loaded to their manufacturer's recommended figures. Tie rod mounting nuts should be to a minimum strength of ISO 898/2 grade 10, torque loaded to the figures shown.

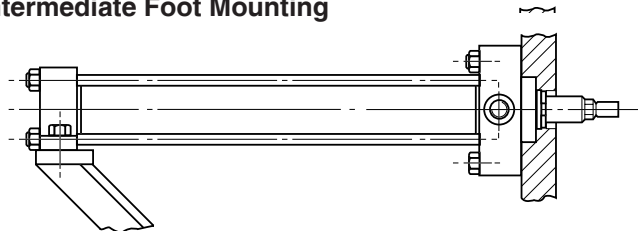
Bore Φ	Tie Rod Torque Nm
25	4.5-5.0
32	7.6-9.0
40	19.0-20.5
50	68-71
63	68-71
80	160-165
100	160-165
125	450-455
160	815-830
200	1140-1155

Intermediate or Additional Mountings

Long cylinders with fixed mountings such as extended tie rods may require additional support to counter sagging or the effects of vibration. This may be provided mid-way along the cylinder body in the form of an intermediate mounting or, with end-mounted cylinders, as an additional mounting supporting the free end of the cylinder. Please contact the factory for further information. The maximum unsupported stroke lengths which Parker recommends for each bore size are shown in the table below.



Intermediate Foot Mounting



End Support Mounting

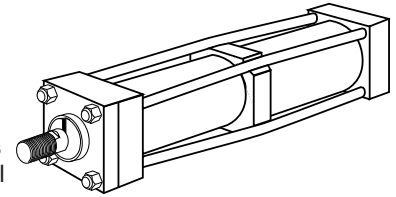
Maximum Stroke Lengths of Unsupported Cylinders (in mm)

Bore Φ	Intermediate Mounting	End Support Mounting
25, 32, 40	1500	1000
50, 63, 80	2000	1500
100, 125	3000	2000
160, 200	3500	2500

All dimensions are in millimeters unless otherwise stated.

Tie Rod Supports

To increase the resistance to buckling of long stroke cylinders, tie rod supports may be fitted. These move the tie rods radially outwards and allow longer than normal strokes to be used without the need for an additional mounting.



Bore Φ	Stroke (meters)												No. of Supports Required	
	0.9	1.2	1.5	1.8	2.1	2.4	2.7	3.0	3.3	3.6	3.9	4.2		
25	1	1	2											
32	-	1	1	2										
40	-	-	1	1	1	2	2							
50	-	-	-	1	1	1	2	2	2	2	2	3		
63	-	-	-	-	-	1	1	1	1	1	2	2		
80	-	-	-	-	-	-	-	1	1	1	1	1		
100	-	-	-	-	-	-	-	-	-	1	1	1		

Stroke Tolerances

Stroke length tolerances are required due to the build-up of tolerances of piston, head, cap and cylinder body. Standard production stroke tolerances are 0 to +2mm on all bore sizes and stroke lengths. For closer tolerances, please specify the required tolerance plus the operating temperature and pressure. Stroke tolerances of less than 0.4mm are generally impracticable due to the elasticity of cylinders. In these cases, the use of a stroke adjuster should be considered. Tolerances of stroke dependent dimensions for each mounting style are shown in the table below.

Stroke Dependent Tolerances

Mounting Style	Dimensions	Tolerance - for strokes up to 3m
All styles - port dimensions	Y	±2
	PJ	±1.25
JJ (ME5)	ZB	max
HH (ME6)	ZJ	±1
BB (MP1) B(MP3)	XC	±1.25
SB (MP5)	XO	±1.25
C (MS2)	XS	±2
	ZB	max
	SS	±1.25
D (MT1)	XG	±2
	ZB	max
DB (MT2)	XJ	±1.25
	ZB	max
DD (MT4)	XV	±2
	ZB	max
TD (MX1)		+3
TC (MX2)	BB	0
TB (MX3)		
TB (MX3)	ZB	max
TD (MX1)		
TB (MX3)	WH	±2
TD (MX1)		
TC (MX2)		
TB (MX3)	ZJ	±1

For Cylinder Division Plant Locations – See Page II.

Series HMI Metric Hydraulic Cylinders

Theoretical Push and Pull Forces

Calculation of Cylinder Diameter

General Formula

The cylinder output forces are derived from the formula:

$$F = \frac{P \times A}{10000}$$

Where F = Force in kN.

P = Pressure at the cylinder in bar.

A = Effective area of cylinder piston in square mm.

Prior to selecting the cylinder bore size, properly size the piston rod for tension (pull) or compression (push) loading (see the Piston Rod Selection Chart).

If the piston rod is in compression, use the 'Push Force' table below, as follows:

1. Identify the operating pressure closest to that required.
2. In the same column, identify the force required to move the load (always rounding up).
3. In the same row, look along to the cylinder bore required.

If the cylinder envelope dimensions are too large for the application, increase the operating pressure, if possible, and repeat the exercise.

If the piston rod is in tension, use the 'Deduction for Pull Force' table. The procedure is the same but, due to the reduced area caused by the piston rod, the force available on the 'pull' stroke will be smaller. To determine the pull force:

1. Follow the procedure for 'push' applications as described above.
2. Using the 'pull' table, identify the force indicated according to the rod and pressure selected.
3. Deduct this from the original 'push' force. The resultant is the net force available to move the load.

If this force is not large enough, repeat the process and increase the system operating pressure or cylinder diameter if possible. For assistance, contact your local authorized Parker distributor.

Push Force

Bore Φ mm	Bore Area sq. mm	Cylinder Push Force in kN						
		10 bar	40 bar	63 bar	100 bar	125 bar	160 bar	210 bar
25	491	0.5	2.0	3.1	4.9	6.1	7.9	10.3
32	804	0.8	3.2	5.1	8.0	10.1	12.9	16.9
40	1257	1.3	5.0	7.9	12.6	15.7	20.1	26.4
50	1964	2.0	7.9	12.4	19.6	24.6	31.4	41.2
63	3118	3.1	12.5	19.6	31.2	39.0	49.9	65.5
80	5027	5.0	20.1	31.7	50.3	62.8	80.4	105.6
100	7855	7.9	31.4	49.5	78.6	98.2	125.7	165.0
125	12272	12.3	49.1	77.3	122.7	153.4	196.4	257.7
160	20106	20.1	80.4	126.7	201.1	251.3	321.7	422.2
200	31416	31.4	125.7	197.9	314.2	392.7	502.7	659.7

Deduction for Pull Force

Piston Rod Φ mm	Piston Rod Area sq. mm	Reduction in Force in kN						
		10 bar	40 bar	63 bar	100 bar	125 bar	160 bar	210 bar
12	113	0.1	0.5	0.7	1.1	1.4	1.8	2.4
14	154	0.2	0.6	1.0	1.5	1.9	2.5	3.2
18	255	0.3	1.0	1.6	2.6	3.2	4.1	5.4
22	380	0.4	1.5	2.4	3.8	4.8	6.1	8.0
28	616	0.6	2.5	3.9	6.2	7.7	9.9	12.9
36	1018	1.0	4.1	6.4	10.2	12.7	16.3	21.4
45	1591	1.6	6.4	10.0	15.9	19.9	25.5	33.4
56	2463	2.5	9.9	15.6	24.6	30.8	39.4	51.7
70	3849	3.8	15.4	24.2	38.5	48.1	61.6	80.8
90	6363	6.4	25.5	40.1	63.6	79.6	101.8	133.6
110	9505	9.5	38.0	59.9	95.1	118.8	152.1	199.6
140	15396	15.4	61.6	97.0	154.0	192.5	246.3	323.3

For additional information – call your local Parker Cylinder Distributor.

Series HMI Metric Hydraulic Cylinders

Piston Rod Sizes & Stop Tubes

Piston Rod Size Selection

To select a piston rod for thrust (push) applications, follow these steps:

1. Determine the type of cylinder mounting style and rod end connection to be used. Consult the Stroke Factor table on page 20 and determine which factor corresponds to the application.
2. Using the appropriate stroke factor from page 20, determine the 'basic length' from the equation:

$$\text{Basic Length} = \text{Net Stroke} \times \text{Stroke Factor}$$

(The graph is prepared for standard rod extensions beyond the face of the gland retainers. For rod extensions greater than standard, add the increases to the net stroke to arrive at the 'basic length'.)

3. Calculate the load imposed for the thrust application by multiplying the full bore area of the cylinder by the system pressure, or by referring to the Push and Pull Force charts on page 18.
4. Using the graph below, look along the values of basic length' and 'thrust' as found in 2 and 3 above, and note the point of intersection.

The correct piston rod size is read from the diagonally curved line labelled 'Rod Diameter' above the point of intersection.

Stop Tubes

The required length of stop tube, where necessary, is read from the vertical columns on the right of the graph below by following the horizontal band within which the point of intersection, determined in steps 2 and 3 opposite, lies.

Note that stop tube requirements differ for fixed and pivot mounted cylinders.

If the required length of stop tube is in the region labeled 'consult factory,' please submit the following information:

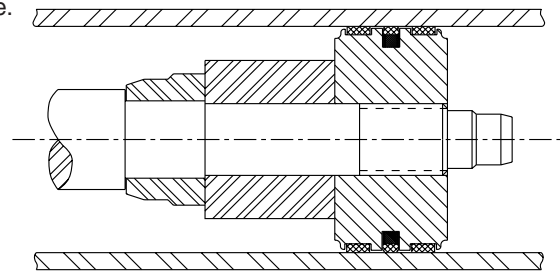
1. Cylinder mounting style.
2. Rod end connection and method of guiding load.
3. Bore required, stroke, length of rod extension (dimensions WF) if greater than standard.
4. Mounting position of cylinder. (Note: if at an angle or vertical, specify the direction of the piston rod.)
5. Operating pressure of cylinder, if limited to less than the standard pressure for the cylinder selected.

When specifying a cylinder with a stop tube, state the **gross** stroke of the cylinder and the length of the stop tube. The gross stroke is equal to the net (working) stroke of the cylinder plus the stop tube length. See the example below:

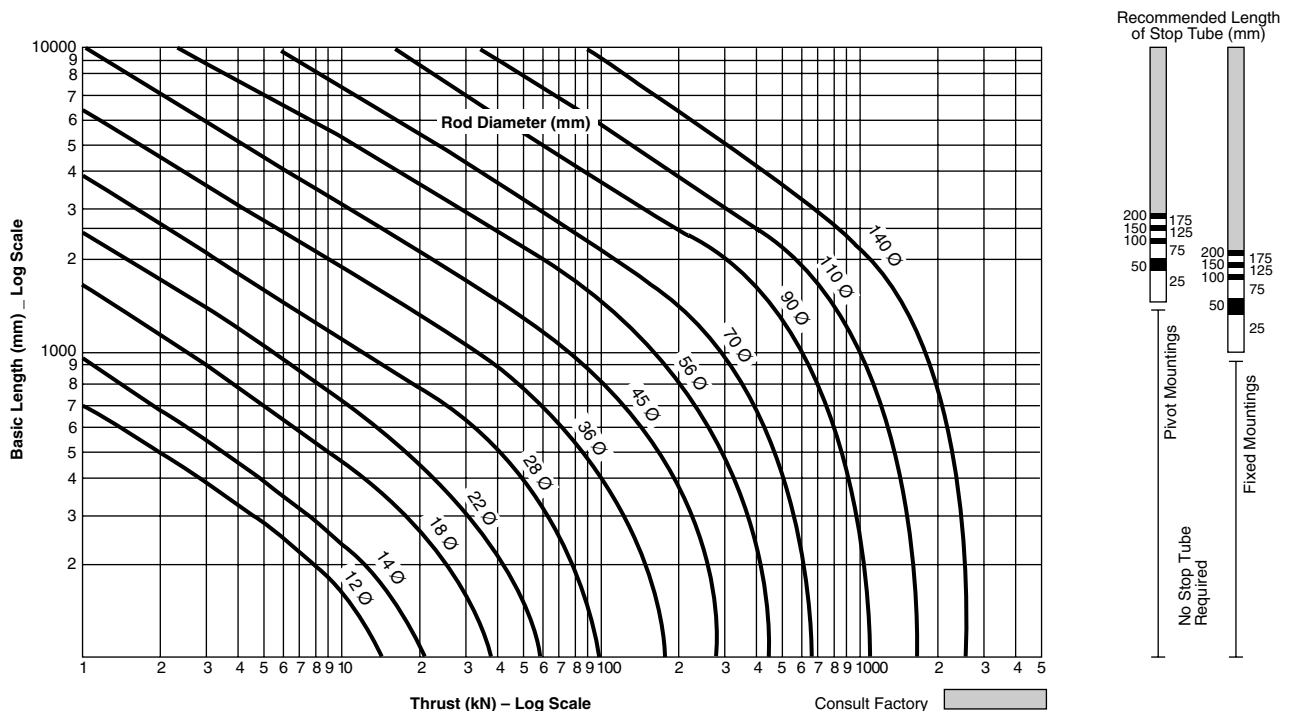
Ex. 80-JJ-HMI-R-E-S-14-M1375M1100

- 1) Stop tube = 175
- 2) Net stroke = 1200

– the cylinder net stroke will be 1200mm with 175mm of stop tube.



Piston Rod Selection Chart



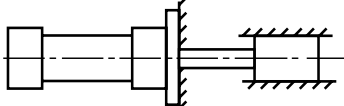
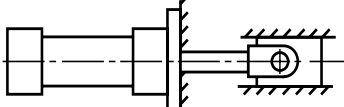
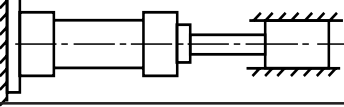
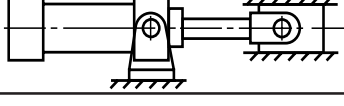
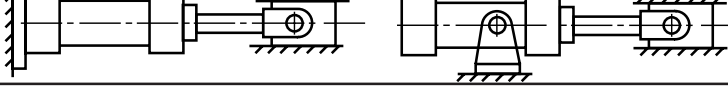
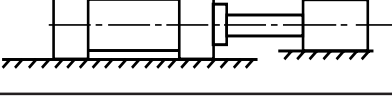
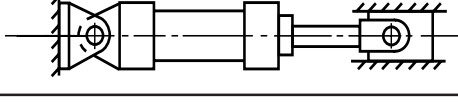
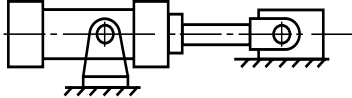
For Cylinder Division Plant Locations – See Page II.

Series HMI Metric Hydraulic Cylinders

Stroke Factors

Stroke Factors

The stroke factors below are used in the calculation of cylinder 'basic length' – see Piston Rod Size Selection.

Rod End Connection	Mounting Style	Type of Mounting	Stroke Factor
Fixed and Rigidly Guided	TB, TD, C, JJ		0.5
Pivoted and Rigidly Guided	TB, TD, C, JJ		0.7
Fixed and Rigidly Guided	TC, HH		1.0
Pivoted and Rigidly Guided	D		1.0
Pivoted and Rigidly Guided	TC, HH, DD		1.5
Supported but not Rigidly Guided	TB, TD, C, JJ		2.0
Pivoted and Rigidly Guided	B, BB, DB, SB		2.0
Pivoted and Supported but not Rigidly Guided	DD		3.0

Long Stroke Cylinders

When considering the use of long stroke cylinders, the piston rod should be of sufficient diameter to provide the necessary column strength.

For tensile (pull) loads, the rod size is selected by specifying standard cylinders with standard rod diameters and using them at or below the rated pressure.

For long stroke cylinders under compressive loads, the use of stop tubes should be considered, to reduce bearing stress. The Piston Rod Selection Chart in this catalog provides guidance where unusually long strokes are required.

For additional information – call your local Parker Cylinder Distributor.

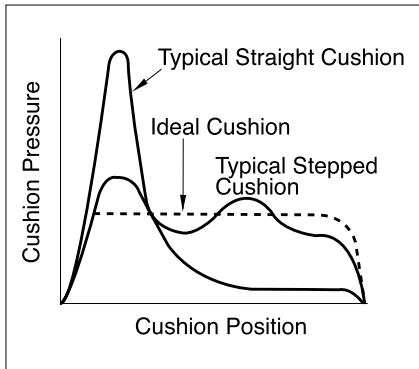
An Introduction to Cushioning

Cushioning is recommended as a means of controlling the deceleration of masses, or for applications where piston speeds are in excess of 0.1m/s and the piston will make a full stroke. Cushioning extends cylinder life and reduces undesirable noise and hydraulic shock.

Built-in “cushions” are optional and can be supplied at the head and cap ends of the cylinder without affecting its envelope or mounting dimensions.

Standard Cushioning

Ideal cushion performance shows an almost uniform absorption of energy along the cushioning length, as shown. Many forms of cushioning exist, and each has its own specific merits and advantages. In order to cover the majority of applications, HMI cylinders are supplied with profiled cushioning as standard. Final speed may be adjusted using the cushion screws. The performance of profiled cushioning is indicated on the diagram, and cushion performance for each of the rod sizes available is illustrated graphically in the charts on the next page.



Note: Cushion performance will be affected by the use of water or high water based fluids. Please consult the factory for details.

Cushion Length

Where specified, HMI cylinders incorporate the longest cushion sleeve and spear that can be accommodated within the standard envelope without reducing the rod bearing and piston bearing lengths. See table of cushion lengths on page 119. Cushions are adjustable via recessed needle valves.

Cushion Calculations

The charts on the next page show the energy absorption capacity for each bore/rod combination at the head (annulus) and the cap (full bore) ends of the cylinder. The charts are valid for piston velocities in the range 0.1 to 0.3m/s. For velocities between 0.3 and 0.5m/s, the energy values derived from the charts should be reduced by 25%. For velocities of less than 0.1m/s where large masses are involved, and for velocities of greater than 0.5m/s, a special cushion profile may be required. Please consult the factory for details.

The cushion capacity of the head end is less than that of the cap, and reduces to zero at high drive pressures due to the pressure intensification effect across the piston.

The energy absorption capacity of the cushion decreases with drive pressure.

Formula

Cushioning calculations are based on the formula $E = \frac{1}{2}mv^2$ for horizontal applications. For inclined or vertically downward or upward applications, this is modified to:

$$E = \frac{1}{2}mv^2 + mgl \times 10^{-3} \times \sin\alpha$$

(for inclined or vertically downward direction of mass)

$$E = \frac{1}{2}mv^2 - mgl \times 10^{-3} \times \sin\alpha$$

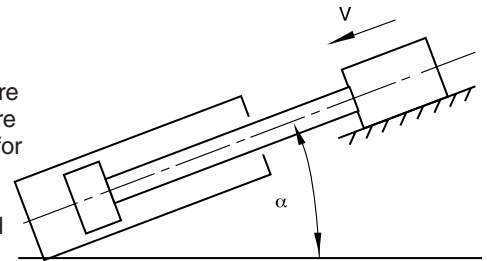
(for inclined or vertically upward direction of mass)

Where:

- E = energy absorbed in Joules
- g = acceleration due to gravity = 9.81m/s²
- v = velocity in meters/second
- l = length of cushion in millimeters
- m = mass of load in kilograms (including piston, rod and rod end accessories)
- α = angle to the horizontal in degrees
- p = pressure in bar

Example

The following example shows how to calculate the energy developed by masses moving in a straight line. For non-linear motion, other calculations are required; please consult the factory. The example assumes that the bore and rod diameters are already appropriate for the application. The effects of friction on the cylinder and load have been ignored.



Selected bore/rod 160/70mm (No. 1 rod).
Cushioning at the cap end.

- Pressure = 160 bar
- Mass = 10000kg
- Velocity = 0.4m/s
- Cushion length = 41mm
- α = 45°
- Sin α = 0.70

$$E = \frac{1}{2}mv^2 + mgl \times 10^{-3} \times \sin\alpha$$

$$= \frac{10000 \times 0.4^2}{2} + 10000 \times 9.81 \times \frac{41}{10^3} \times 0.70$$

$$= 800 + 2815 = 3615 \text{ Joules}$$

Note that velocity is greater than 0.3m/s; therefore, a derating factor of 0.75 must be applied before comparison with the curves on the cushioning charts. Applying this factor to the calculated energy figure of 3615 Joules gives a corrected energy figure of:

$$\frac{3615}{0.75} = 4820 \text{ Joules}$$

Comparison with the curve shows that the standard cushion can safely decelerate this load. If the calculated energy exceed that indicated by the curve, select a larger bore cylinder and re-calculate.

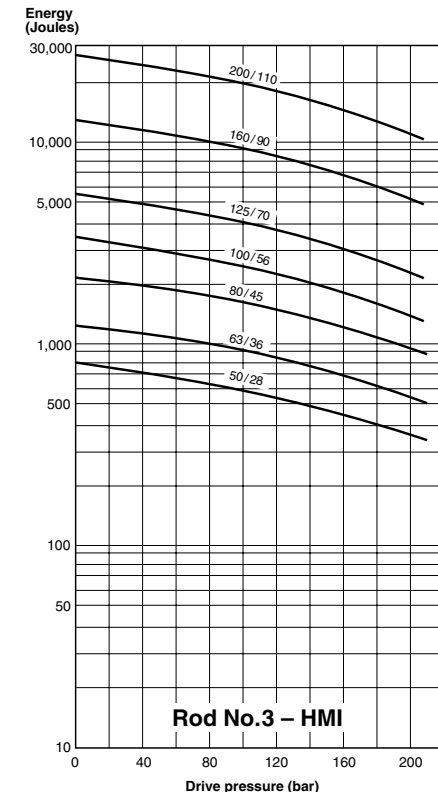
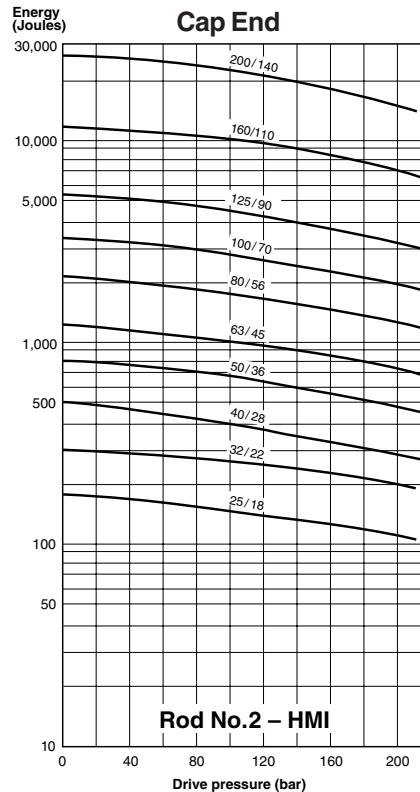
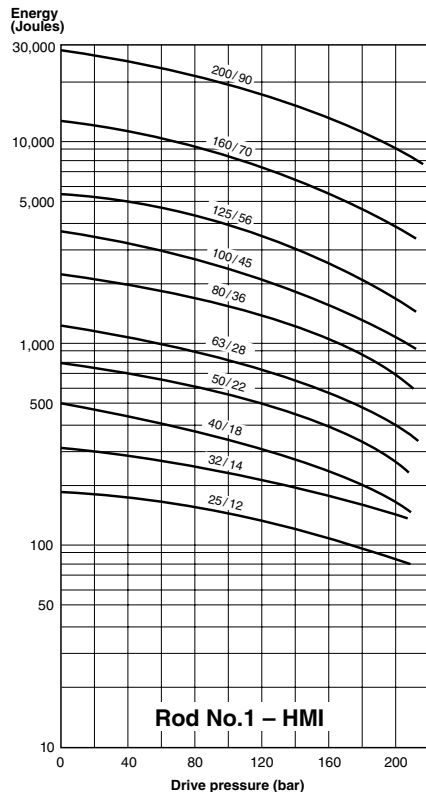
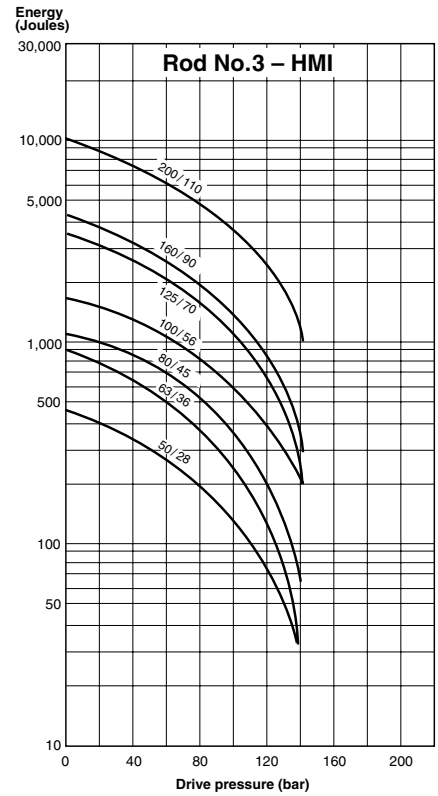
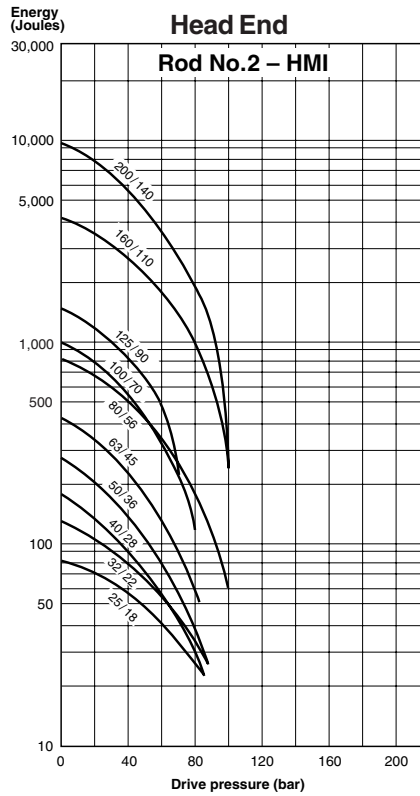
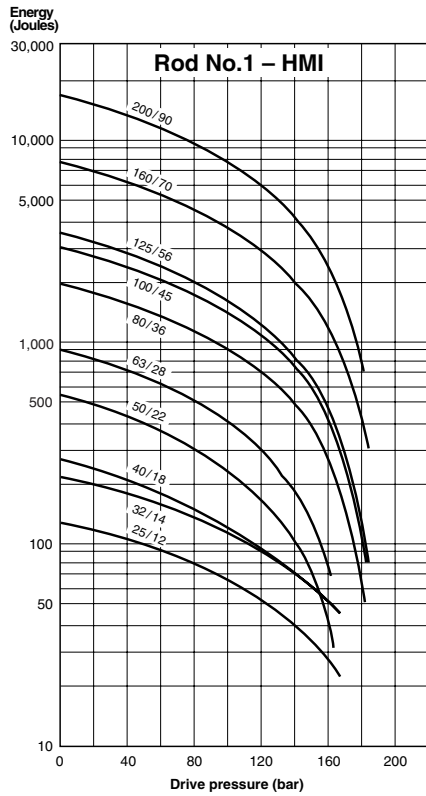
Series HMI Metric Hydraulic Cylinders

Cushioning

Cushion Energy Absorption Capacity Data

The cushion energy absorption capacity data shown below is based on the maximum fatigue-free pressure developed in the tube. For applications with a life cycle of less than 10^6

cycles, greater energy absorption figures can be applied. Please consult the factory if further information is required.



For additional information – call your local Parker Cylinder Distributor.

Series HMI Metric Hydraulic Cylinders

Cushioning,
Pressure Limitations

Cushion Length, Piston and Rod Mass

Bore Φ	Rod No.	Rod Φ	Cushion Length - ISO				ISO		Piston & Rod Zero Stroke kg	Rod Only per 10mm Stroke kg
			Rod No. 1		Rod No. 2		Rod No. 3			
			Head	Cap	Head	Cap	Head	Cap		
25	1	12	22	20	24	20	-	-	0.12	0.01
	2	18							0.16	0.02
32	1	14	24	20	24	20	-	-	0.23	0.01
	2	22							0.30	0.03
40	1	18	29	29	29	30	-	-	0.44	0.02
	2	28							0.60	0.05
50	1	22	29	29	29	29	29	29	0.70	0.03
	2	36							0.80	0.05
	3	28							0.95	0.08
63	1	28	29	29	29	29	29	29	1.20	0.05
	2	45							1.35	0.08
	3	36							1.60	0.12
80	1	36	35	32	27	32	35	32	2.30	0.08
	2	56							2.50	0.12
	3	45							2.90	0.19
100	1	45	35	32	26	32	29	32	4.00	0.12
	2	70							4.40	0.19
	3	56							5.10	0.30
125	1	56	28	32	27	32	27	32	7.10	0.19
	2	90							8.00	0.30
	3	70							9.40	0.50
160	1	70	34	41	34	41	34	41	13.70	0.30
	2	110							15.30	0.50
	3	90							17.20	0.75
200	1	90	46	56	49	56	50	56	27.00	0.50
	2	140							30.00	0.75
	3	110							34.00	1.23

Pressure Limitations – Introduction

The pressure limitations of a hydraulic cylinder must be reviewed when considering its application. To assist the designer in obtaining the optimum performance from a cylinder, the information which follows highlights the recommended minimum and maximum pressures according to application. If in doubt, please consult the factory.

Minimum Pressure

Due to factors such as seal friction, the minimum operating pressure for HMI cylinders is 5 bar. Below this pressure, low friction seals should be specified. If in doubt, please consult the factory.

Maximum Pressure

HMI cylinders are designed to the mounting dimensions specified in ISO 6020/2 for 160 bar cylinders but, due to the selection of materials, they can be used at higher pressures depending on the application and the choice of rod size and rod end style. As a result, the majority of these cylinders can be operated at 210 bar.

All dimensions are in millimeters unless otherwise state.

Cylinder Body (Pressure Envelope)

In many applications, the pressure developed within a cylinder may be greater than the working pressure, due to pressure intensification across the piston and cushioning. In most cases, this intensification does not affect the cylinder mountings or piston rod threads in the form of increased loading. It may, however, affect the cylinder body and induce fatigue failure or cause premature seal wear. It is important, therefore, that the pressure due to cushioning or intensification does not exceed the 340 bar fatigue limit of the cylinder body. The cushion energy absorption data on the previous page is based on this maximum induced pressure. If in doubt, please consult the factory.

For Cylinder Division Plant Locations – See Page II.



Standard Ports

Series HMI cylinders are supplied with BSP parallel threaded ports, of a size suitable for normal speed applications – see table opposite. HMI cylinders are also available with a variety of optional ports.

Oversize Ports

For higher speed applications. Series HMI cylinders are available with oversize BSP or metric ports to the sizes shown in the table opposite, or with extra ports in head or cap faces that are not used for mountings or cushion screws. On 25 mm and 32 mm bore cylinders, 20mm high port bosses are necessary to provide the full thread length at the cap end – see rod end dimensions for increased height at the head end. Note that Y and PJ dimensions may vary slightly to accommodate oversize ports – please contact the factory where these dimensions are critical.

Port Size and Piston Speed

One of the factors which influences the speed of a hydraulic cylinder is fluid flow in the connecting lines. Due to piston rod displacement, the flow at the cap end port will be greater than that at the head end, at the same piston speed. Fluid velocity in connecting lines should be limited to 5m/s to minimize fluid turbulence, pressure loss and hydraulic shock. The tables opposite are a guide for use when determining whether cylinder ports are adequate for the application. Data shown gives piston speeds for standard and oversize ports and connecting lines where the velocity of the fluid is 5m/s.

If the desired piston speed results in a fluid flow in excess of 5 m/s in connecting lines, larger lines with two ports per cap should be considered. Parker recommends that a flow rate of 12 m/s in connecting lines should not be exceeded.

Speed Limitations

Where large masses are involved, or piston speeds exceed 0.1m/s and the piston will make a full stroke, cushions are recommended – see cushion information. For cylinders with oversize ports and with a flow exceeding 8m/s into the cap end, a ‘non-floating cushion’ should be specified. Please consult the factory.

Ports, Air Bleeds and Cushion Adjustment Location

The table below shows standard positions for ports, and cushion adjusting screws where fitted. Air bleeds (see optional features) may be fitted in unoccupied faces of the head or cap, depending on mounting.

Bore Ø	Standard Cylinder Ports				
	Port Size BSP/G Inches	Port Size Metric ¹	Bore of Connecting Lines	Cap End Flow in l/min @ 5m/s	Piston Speed m/s
25	1/4	M14x1.5	7	11.5	0.39
32	1/4	M14x1.5	7	11.5	0.24
40	3/8	M18x1.5	10	23.5	0.31
50	1/2	M22x1.5	13	40	0.34
63	1/2	M22x1.5	13	40	0.21
80	3/4	M27x2	15	53	0.18
100	3/4	M27x2	15	53	0.11
125	1	M33x2	19	85	0.12
160	1	M33x2	19	85	0.07
200	1 1/4	M42x2	24	136	0.07

Bore Ø	Oversize Cylinder Ports (Not to DIN)				
	Port Size BSP/G Inches	Port Size Metric ¹	Bore of Connecting Lines	Cap End Flow in l/min @ 5m/s	Piston Speed m/s
25	3/8 ²	M18x1.5 ^{2,3}	10	23.5	0.80
32	3/8 ²	M18x1.5 ^{2,3}	10	23.5	0.48
40	1/2	M22x1.5 ³	13	40	0.53
50	3/4	M27x2 ³	15	53	0.45
63	3/4	M27x2 ³	15	53	0.28
80 ⁴	1	M33x2	19	85	0.28
100 ⁴	1	M33x2	19	85	0.18
125 ⁴	1 1/4	M42x2	24	136	0.18
160 ⁴	1 1/4	M42x2	24	136	0.11
200 ⁴	1 1/2	M48x2	30	212	0.11

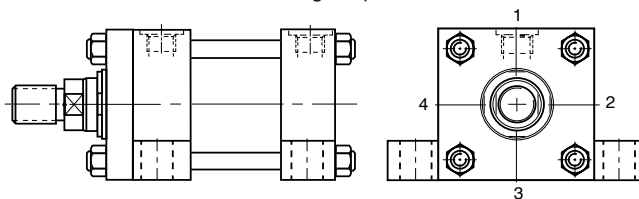
¹Not to DIN 24 554

²20mm high port bosses fitted at cap end

³ISO 6149 ports are not available on some bore/rod combinations

⁴Consult factory – not normally available on these bore sizes

Not recommended for JJ mountings at pressures above 100 bar



Ports at position 2 or 4 in 25mm to 100mm bore sizes of mounting style C are offset toward position 1 and are not available in the head of 25mm and 32mm bores with number 2 rods. 25mm and 32mm bore heads will not be elongated 5mm toward position 2 or 4 when a port is specified at either of those two locations (the 5mm elongation at position 1 will remain). Contact the factory for the offset dimension.

Positions of Ports and Cushion Screws in Head and Cap		Mounting Styles																																			
		TB, TC and TD				JJ				HH				C ⁵				B and BB				SB				D				DB				DD			
Head	Port	1	2	3	4	1	2	3	4	1	2	3	4	1	2	3	4	1	2	3	4	1	2	3	4	1	2	3	4	1	2	3	4	1	2	3	4
	Cushion	2	3	4	1	3	3	1	1	3	4	1	2	2	4	2	2	3	4	1	2	3	4	1	3	1	3	4	1	2	3	4	1	2	3	4	1
Cap	Port	1	2	3	4	1	2	3	4	1	2	3	4	1	2	3	4	1	2	3	4	1	2	3	4	1	3	1	3	1	2	3	4	1	2	3	4
	Cushion	2	3	4	1	3	4	1	2	3	3	1	1	2	4	2	2	3	4	1	2	3	4	1	3	4	1	2	3	1	3	4	1	2	3	4	1

⁵Ports at position 2 or 4 in 25mm to 100mm bores are offset toward position 1.

All dimensions are in millimeters unless otherwise stated.

For additional information – call your local Parker Cylinder Distributor.

Series HMI Metric Hydraulic Cylinders

Ports, Weights

Cylinder Port Options

- Option "T" SAE Straight Thread O-Ring Port. Recommended for most hydraulic applications.
- Option "U" Conventional NPTF Ports (Dry-Seal Pipe Threads). Recommended for pneumatic applications only.
- Option "R" BSPP Port (British Parallel Thread). ISO 228 port commonly used in Europe. See Figure R-G below.
- Option "P" SAE Flange Ports Code 61 (3000 psi). Recommended for hydraulic applications requiring larger port sizes.
- Option "B" BSPT (British Tapered Thread).
- Option "M" Metric Straight Thread Port similar to Option "R" with metric thread. Popular in some European applications. See Figure R-G below.
- Option "Y" ISO-6149-1 Metric Straight Thread Port. Recommended for all hydraulic applications designed per ISO standards. See Figure Y below.

Bore Ø	"T" SAE	"U" NPTF Pipe Thread	"R" BSPP Parallel Thread (Standard)	"P" SAE 4-Bolt Flange Nom. Size	"B" BSPT Taper Thread	"M" Metric Straight Thread	"Y" ISO-6149-1 Metric Straight Thread
25	#6	1/4	1/4	N/A	1/4	M14 x 1.5	M14 x 1.5
32	#6	1/4	1/4	N/A	1/4	M14 x 1.5	M14 x 1.5
40	#6	3/8	3/8	N/A	3/8	M18 x 1.5	M18 x 1.5
50	#10	1/2	1/2	N/A	1/2	M22 x 1.5	M22 x 1.5
63	#10	1/2	1/2	1/2	1/2	M22 x 1.5	M22 x 1.5
80	#12	3/4	3/4	3/4	3/4	M27 x 2	M27 x 2
100	#12	3/4	3/4	3/4	3/4	M27 x 2	M27 x 2
125	#16	1	1	1	1	M33 x 2	M33 x 2
160	#16	1	1	1	1	M33 x 2	M33 x 2
200	#20	1 1/4	1 1/4	1 1/4	1 1/4	M42 x 2	M42 x 2

BSPP Port for Series HMI

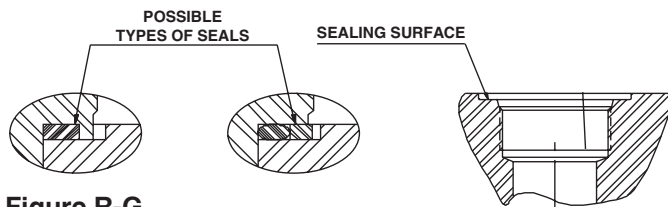


Figure R-G

ISO 6149-1 Port for Series HMI

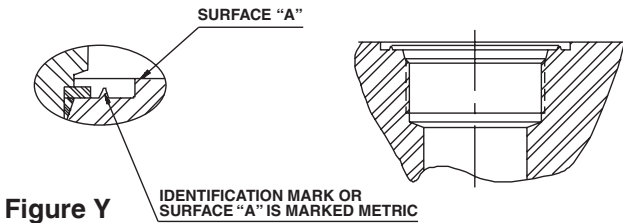


Figure Y

Weights – Series HMI Cylinders

Bore Ø	Rod Ø	Mounting Styles – Weight at Zero Stroke							Weight per 10mm Stroke kg
		TB, TC	C	JJ, HH	B, BB, SB	D, DB	DD		
		kg	kg	kg	kg	kg	kg		
25	12						1.5	0.05	
	18	1.2	1.4	1.5	1.4	1.3	1.6	0.06	
32	14	1.6						0.06	
	22	1.7	1.9	2.0	1.9	1.7	2.0	0.08	
40	18	3.7	4.0	4.7	4.2	3.9	4.6	0.09	
	28	3.8	4.1	4.8	4.3	4.0	4.7	0.12	
50	22	5.9	6.5	7.2	7.0		7.9	0.14	
	28				7.1	6.3		0.16	
	36	6.0	6.6	7.3	7.2	6.4	8.0	0.18	
63	28	8.5	9.7	10.1	10.1	8.9	10.6	0.19	
	36	8.6	9.8	10.2	10.2	9.0	10.7	0.22	
	45	8.7	9.9	10.3	10.4	9.1	10.9	0.27	
80	36	16.0	17.3	18.9	19.5	16.5		0.27	
	45	16.1	17.4	19.0	19.6	16.6	20.5	0.32	
	56	16.3	17.7	19.2	19.8	16.8	20.7	0.39	

Bore Ø	Rod Ø	Mounting Styles – Weight at Zero Stroke							Weight per 10mm Stroke kg
		TB, TC	C	JJ, HH	B, BB, SB	D, DB	DD		
		kg	kg	kg	kg	kg	kg		
100	45			25.0				26.0	0.40
	56	22.0	24.0		28.0	22.7		27.0	0.47
	70	23.0	25.0	26.0	29.0	23.2			0.58
125	56	42.0	44.0	48.0	53.0		43.0	48.0	0.65
	70				54.0		44.0	49.0	0.76
	90	43.0	45.0	49.0				50.0	0.95
160	70	69.0	73.0	78.0	90.0	71.0		84.0	1.00
	90				91.0		72.0	85.0	1.20
	110	70.0	74.0	79.0	92.0				1.40
200	90	122.0	129.0		157.0	127.0			1.50
	110	123.0	130.0	138.0	158.0	128.0	153.0		1.80
	140	124.0	131.0	140.0	160.0	129.0	155.0		2.30

All dimensions are in millimeters unless otherwise stated.

For Cylinder Division Plant Locations – See Page II.



Cylinder

Seals and Fluid Data

Group	Seal Materials – a combination of:	Fluid Medium to ISO 6743/4-1982	Temperature Range
1	Nitrile (NBR), PTFE, enhanced polyurethane (AU)	Mineral oil HH, HL, HLP, HLP-D, HM, HV, MIL-H-5606 oil, nitrogen	-20°C to + 80°C
5	Fluorocarbon elastomer (FPM) Fluorocarbon, PTFE	Fire resistant fluids based on phosphate esters (HFD-R) Also suitable for hydraulic oil at high temperatures/environments. Not suitable for use with Skydrol. See fluid manufacturer's recommendations.	-20°C to + 150°C

Operating Medium

Sealing materials used in the standard cylinder are suitable for use with most petroleum-based hydraulic fluids.

Special seals are available for use with water-glycol or water-in-oil emulsions, and with fluids such as fire-resistant synthetic phosphate ester and phosphate ester-based fluids.

If there is any doubt regarding seal compatibility with the operating medium, please consult the factory.

The table above is a guide to the sealing compounds and operating parameters of the materials used for standard and optional rod gland, piston and body seals

Temperature

Standard seals can be operated at temperatures between -20°C and +80°C. Where operating conditions result in temperatures which exceed these limits, special seal compounds may be required to ensure satisfactory service life – please consult the factory.

Special Seals

Group 1 seals are fitted as standard to HMI cylinders. For other duties, the optional seal group 5 is available – please see the cylinder order code for HMI (ISO) cylinders. Special seals, in addition to those shown in the table above, can also be supplied. Please insert an S (Special) in the order code and specify fluid medium when ordering.

Water Service

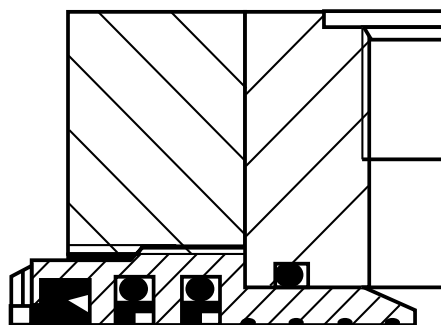
Special cylinders are available for use with water as the fluid medium. Modifications include a stainless steel piston rod with lipseal piston, and plating of internal surfaces. When ordering, please specify the maximum operating pressure or load/speed conditions.

Warranty

Parker Hannifin warrants cylinders modified for use with water or water base fluids to be free of defects in materials and workmanship, but cannot accept responsibility for premature failure caused by corrosion, electrolysis or mineral deposits in the cylinder.

Low Friction Seals

For applications where very low friction and an absence of stick-slip are important, the option of low friction seals is available. Please consult the factory.



Metallic Rod Wipers

Metallic rod wipers replace the standard wiper seal, and are recommended where dust or splashing might damage the wiper seal material. Metallic rod wipers do not affect cylinder dimensions.

Proximity Sensors

EPS proximity switches can be fitted to give reliable end of stroke signals.

Position Feedback

Linear position transducers of various types are available for Series HMI cylinders. Please contact the factory for further details.

Rod End Bellows

Unprotected piston rod surfaces which are exposed to contaminants with air hardening properties can be protected by rod end bellows. Longer rod extensions are required to accommodate the collapsed length of the bellows. Please consult the factory for further information.

For additional information – call your local Parker Cylinder Distributor.

Series HMI Metric Hydraulic Cylinders

Optional Features

Gland Drains

The tendency of hydraulic fluid to adhere to the piston rod can result in an accumulation of fluid in the cavity behind the gland wiperseal under certain operating conditions. This may occur with long stroke cylinders; where there is a constant back pressure as in differential circuitry, or where the ratio of the extend speed to the retract speed is greater than 2 to 1.

A gland drain port is provided in the retainer, except in mounting style JJ, style D in 100mm to 200mm bores, and regardless of mounting style, 25mm bore with all rod numbers, and 32mm to 40mm bores with number 1 rod. In these cases the drain port is located in the head. When the gland drain port in 25mm to 40mm bores is in the head of all mounting styles except JJ, it must be in the same position as the port (on the 5mm elongated side for 25mm & 32mm bores) and when specified in 25mm and 32mm bores of mounting style C it must be in position 1. On JJ mounting styles in 25mm and 32mm bores the drain port can be in position 2 or 4 and is not available in position 3. When the gland drain port is provided in the retainer, the thickness of the retainer is increased by 6mm in 32mm and 40mm bores with number 2 rod and by 4mm in 63mm bore cylinders with number 2 rod. Note that, on style JJ cylinders, drain ports cannot normally be positioned in the same face as ports or cushion valves – please consult the factory.

Gland Drain Port Location & Position Availability

Bore Ø	Rod Ø	Head (H) or Retainer (R) Location / Position			
		TB, TC, TD, HH, B, BB, SB, DB, DD	C	D	JJ
25	All	H / 1, 2, 3, 4	H / 1	H / 1, 3	H / 2, 4
32	14	H / 1, 2, 3, 4	H / 1	H / 1, 3	H / 2, 4
	22	R / 1, 2, 3, 4	R / 1, 2, 3*, 4	R / 1, 2, 3, 4	H / 2, 4
40	18	H / 1, 2, 3, 4	H / 1	H / 1, 3	H / 2, 3, 4
	28	R / 1, 2, 3, 4	R / 1, 2, 3*, 4	R / 1, 2, 3, 4	H / 2, 3, 4
50	All	R / 1, 2, 3, 4	R / 1, 2, 3*, 4	R / 1, 2, 3, 4	H / 2, 3, 4
63	All	R / 1, 2, 3, 4	R / 1, 2, 3*, 4	R / 1, 2, 3, 4	H / 2, 3, 4
80	All	R / 1, 2, 3, 4	R / 1, 2, 3*, 4	R / 1, 2, 3, 4	H / 2, 3, 4
100	All	R / 1, 2, 3, 4	R / 1, 2, 3*, 4	H / 1, 3	H / 2, 3, 4
125	All	R / 1, 2, 3, 4	R / 1, 2, 3*, 4	H / 1, 3	H / 2, 3, 4
160	All	R / 1, 2, 3, 4	R / 1, 2, 3*, 4	H / 1, 3	H / 2, 3, 4
200	All	R / 1, 2, 3, 4	R / 1, 2, 3*, 4	H / 1, 3	H / 2, 3, 4

*Gland drain is not available in position 3 when key plate is specified in these bore and rod combinations.

Gland drain ports will be the same type as the ports specified on the cylinder assembly except for non “JJ” mounts on bore sizes 25, 32, 40 and 50 mm. In these cases they will be 1/8 NPTF.

The size of the gland drain ports are as shown on the adjacent table.

Gland drains should be piped back to the fluid reservoir, which should be located below the level of the cylinder.

Port Type	Port Size
R (BSPP)	1/8 BSPP
T (SAE)	#4 (SAE)
U (Pipe Thread)	1/8 NPTF
M (Metric Straight)	M10 x 1
Y (ISO 6149-1)	M10 x 1
B (BSPT)	1/8 BSPT
P (SAE 4 Bolt Flange)	1/8 BSPP

Air Bleeds

The option of bleed screws is available at either or both ends of the cylinder, at any position except in the port face. The selected positions should be shown in the order code. Cylinders with bore sizes up to 40mm are fitted with M5 bleed screws; for bore sizes of 50mm and above, M8 bleed screws are fitted. Note that, for cylinders of 50mm bore and above, where it is essential to have the air bleed in the port face, bosses can be welded to the cylinder tube. Please contact the factory for details.

Spring-Returned, Single-Acting Cylinders

Series HMI single-acting cylinders can be supplied with an internal spring to return the piston after the pressure stroke. Please supply details of load conditions and friction factors, and advise whether the spring is required to advance or return the piston rod.

On spring-returned cylinders, tie rod extensions will be supplied to allow the spring to be ‘backed off’ until compression is relieved. Tie rod nuts will be welded to the tie rods at the opposite end of the cylinder, to further assure safe disassembly. Please contact the factory when ordering spring-returned cylinders.

Duplex and Tandem Cylinders

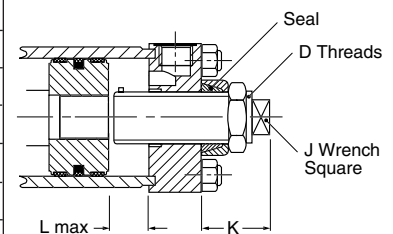
A tandem cylinder is made up of two cylinders mounted in line with pistons connected by a common piston rod and rod seals installed between the cylinders to permit double acting operation of each. Tandem cylinders allow increased output force when mounting width or height are restricted.

A duplex cylinder is made up of two cylinders mounted in line with pistons not connected with rod seals installed between the cylinders to permit double acting operation of each. Cylinders may be mounted with piston rod to piston or back to back and are generally used to provide three position operation.

Stroke Adjusters

Where absolute precision in stroke length is required, a screwed adjustable stop can be supplied. Several types are available – the illustration shows a design suitable for infrequent* adjustment at the uncushioned cap end of a cylinder. Please contact the factory, specifying details of the application and the adjustment required.

Bore Ø	D	J	K min	L max
40	M12x1.25	7	75	130
50	M20x1.5	12	75	200
63	M27x2	16	75	230
80	M33x2	20	85	230
100	M42x2	26	70	450
125	M48x2	30	70	500
160	M64x3	40	75	500
200	M80x3	50	80	500



All dimensions are in millimeters unless otherwise stated.

*Infrequent is defined by positioning the retract stroke in a couple of attempts at original machine set up. The frequent stroke adjuster is recommended for adjustments required after the original equipment has been adjusted by the original machine manufacturer.

For Cylinder Division Plant Locations – See Page II.

Application Data

The proper application of a fluid power cylinder requires consideration of the operating pressure, the fluid medium, the mounting style, the length of stroke, the type of piston rod connection to the load, thrust or tension loading on the rod, mounting attitude, the

speed of stroke, and how the load in motion will be stopped. The information given here provides data to evaluate average applications for Series "3H" Hydraulic Cylinders, and will assist you in proper cylinder selection.

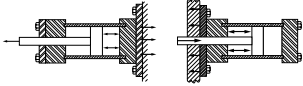
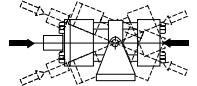
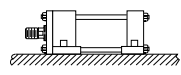
Mounting Classes

Standard mountings for series "3H" power cylinders fall into two basic classes and three groups. The two classes can be summarized as follows:

Class 1 – Straight Line Force Transfer (Groups 1 and 3).

Class 2 – Pivot Force Transfer (Group 2). Pivot mountings permit a cylinder to change its alignment in one plane.

Because a cylinder's mounting directly affects the maximum pressure at which the cylinder can be used, the chart below should be helpful in the selection of the proper mounting combination for your application. Stroke length, piston rod connection to load, extra piston rod length over standard, etc., should be considered for thrust loads. Alloy steel mounting bolts are recommended for all mounting styles, and thrust keys are recommended for Group 3.

Heavy-Duty Service	Class 1 — Group 1	Class 2 — Group 2	Class 1 — Group 3
	FIXED MOUNTS which absorb force on cylinder centerline. 	PIVOT MOUNTS which absorb force on cylinder centerline. 	FIXED MOUNTS which do not absorb force on centerline. 
For Thrust Loads	Mtg. Styles HH, HB, E	Mtg. Styles DD, D, DB, BB	Mtg. Style C
For Tension Loads	Mtg. Styles JJ, JB, E	Mtg. Styles BB, DD, D, DB	Mtg. Style C

Rod End Data

Rod end dimension symbols as shown comply with the National Fluid Power Association dimensional code. The following chart indicates the symbols used in this catalog.

Description	Symbol
Thread diameter and pitch	KK
Length of thread	A
Length of Rod Extension from face of head to end of retracted rod	LAF (Male Thread) WF (Female Thread)

Two rod ends for Series 3H cylinders are offered as shown on the dimension pages of this catalog. They are Parker styles 4 and 9 and are optional without price penalty. If a rod end style is not specified, the Parker style 4 (N.F.P.A. Style SM) will be supplied.

International Rod End Threads

Piston rod threads to meet international requirements are available at extra cost. Parker cylinders can be supplied with British standard fine (W) or metric (M). To order, specify in model number. For dimensions, consult factory.

Special Rod Ends

If a rod end configuration other than the standard styles 4 and 9 is required, such special rod ends can be provided. The designation "Style 3" is assigned to such specials and is incorporated in the cylinder model number. To order, specify "Style 3" and give desired dimensions for KK, A, or LAF, or WF if female end. If otherwise special, send a dimensioned sketch.

Rod End Boots

Are available on request: Consult factory for details.

Special Assemblies From Standard Parts

Each dimensioned drawing in this catalog has position numbers shown on the end view to identify the four sides of the cylinder. These aid in communications and simplify the writing of specifications that cover changes in port positions, etc. Following are several suggested special assemblies that can be made up from standard parts.

- By calling out the position numbers for the desired locations for head and cap ports, some mounting styles can be assembled with ports located at 90° or 180° from standard. In such special assemblies, the cushion needle and check valves are also repositioned since their relation with the port position does not change.
- Standard mountings in different combinations can be provided: for example, Style JJ mounting on head end with Style C on the cap end. This would be made up from standard parts and would be designated Model JJC-3H14.

Single-Acting Cylinders

Maximum Pressure Rating

Bore	Rod Dia.	4:1 Design Factor (Tensile)	Heavy-Duty Service
Inches	Inches	PSI	PSI
10	4 1/2	2720	3000
12	5 1/2	2580	3000
14	7	2320	3000
16	8	2750	3000
18	9	2900	3000
20	10	2640	3000

Double-acting "3H" cylinders are supplied as standard. They can also be used as single-acting cylinders where fluid force is applied to only one side of the piston, with the load or other external forces acting to "return" the piston after pressure is exhausted. It is necessary to plumb the unused port tank to collect any piston bypass.

Series "3H" cylinders are recommended for pressures to 3000 p.s.i. for heavy-duty service with hydraulic oil. The 4:1 design factor ratings shown are based on tensile strength of material and are for code 1 rod dia. only. Design factors at other pressures can be calculated from this rating. In addition, mounting styles, stroke, etc.,

should be considered because of the limiting effect they may have on these ratings.

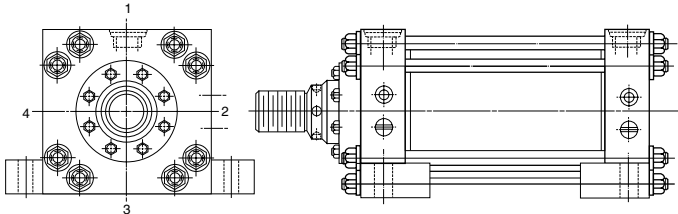
For additional information – call your local Parker Cylinder Distributor.

Series 3H Large Bore High Pressure Hydraulic Cylinders

Ports

Standard Ports Series "3H" cylinders are furnished with SAE straight O-ring boss threads as standard. The largest size port is provided that can be accommodated by the head and cap in any given bore size. If specified on your order, extra ports can be provided on the sides of heads or caps that are not occupied by mountings or cushion valves.

Port Locations Standard port location is position 1, as shown in Section B, Series 3H Large Bore Cylinders. Cushion adjustment needle and check valve are at position 3 on all mounting styles except C where they will be located at position 2.



Mounting Style	Port Position Available	
	Head End	Cap End
T, TB, TC, TC		
HH, HB, JB, JJ, DD	1,2,3 or 4	1,2,3 or 4
BB, DB	1,2,3 or 4	1 or 3
D	1 or 3	1,2,3 or 4
C, E	1	1

Heads or caps which do not incorporate mounting can be rotated and assembled at no extra charge with ports 90° or 180° from standard position. To order other than standard port location, specify by position number shown in table above. In such assemblies, the cushion adjustment needle and check valve rotate accordingly, since their relationship with port position does not change.

NPTF Tapered Pipe Threads The NPTF ports are available at no extra charge upon request.

International Ports Other port configurations to meet international requirements are available at extra cost. Parker cylinders can be supplied with British parallel ports (BSP) or British standard port taper (BSPT) or metric (G). To order, specify in model number. For dimension, consult factory.

Air Bleeds

In most hydraulic circuits, cylinders are considered self-bleeding when cycled the full stroke. If air bleeds are required, a 1/8" NPTF port boss can be supplied at each end of the cylinder body. To order, specify Bleed port, and indicate position desired.

Water Service Modifications

Standard When requested, Parker can supply Series 3H cylinders with standard modifications that make the cylinders more nearly suitable for use with water as the fluid medium. The modifications include chrome-plated cylinder bore; a electroless nickel-plated, non-wearing internal surface; fluorocarbon piston rod seal and chrome-plated, stainless steel piston rod. On orders for water-service cylinders, be sure to specify the maximum operating pressure or the load and speed conditions. (These factors must be taken into account because of the lower tensile strength of stainless steels available for use in piston rods.)

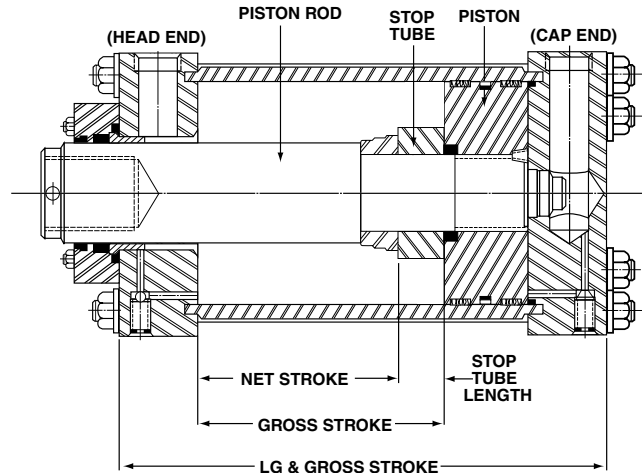
Warranty Parker will warrant Series 3H cylinders modified for water service to be free of defects in materials or workmanship. However, Parker cannot accept responsibility for premature failure of cylinder function, where failure is caused by corrosion, electrolysis or mineral deposits within the cylinder.

Fire-Resistant Fluids

See Section C, Operating Fluids and Seals for further data and information.

Stop Tubing

Stop tube is recommended to lengthen the distance between the gland and piston to reduce bearing loads when the cylinder is fully extended. This is especially true of horizontally mounted and long stroke cylinders. Long stroke cylinders achieve additional stability through the use of a stop tube. The drawing below shows stop tube construction for Series 3H cylinders. Refer to Engineering Section to determine stop tube length. To order, specify gross stroke and length of stop tube.



Stroke Data

Series "3H" cylinders are available in any practical stroke length. The following information should prove helpful to you in selecting the proper stroke for your cylinder application.

Stroke Tolerances Stroke length tolerances are required due to buildup of tolerances of piston, head, cap and cylinder body. Standard production stroke tolerances run +1/32" to -1/16".

For closer tolerances on stroke length, it is necessary to specify the required tolerance plus the operating pressure and temperature at which the cylinder will operate. Stroke tolerances smaller than .015" are not generally practical due to elasticity of cylinders

Long Strokes When considering the use of long stroke cylinders, it is necessary that the rod diameter be of such dimension so as to provide the necessary column strength. For tension (pull) loads, a correct rod size is easily selected by specifying standard cylinders with standard rod diameters, and using them at rated or lower pressures.

For compression (push) loads, the column strength must be carefully considered. This involves the stroke length, the length of the piston rod extension, the support received from the rod end connection and gland and piston bearings, the style of mounting and the mounting attitude. It is also necessary to consider the bearing loads on pistons and glands, and to keep bearing pressures within proper limits by increasing the bearing length and the distance between piston and gland bearings. This is economically accomplished by various means. Commonly, separation of the bearings is effected with a stop tube on the piston rod much like a large diameter cushion sleeve. Other designs are provided according to the application requirements. The 3H Piston Rod-Stroke Selection Chart at the end of this 3H section will guide you where requirements call for unusually long strokes.

When specifying cylinders with long stroke and stop tube, be sure to call out the net stroke and the length of the stop tube. Machine design can be continued without delay by laying in a cylinder equivalent in length to the NET STROKE PLUS STOP TUBE LENGTH, which is referred to as GROSS STROKE.



Cylinder Accessories

Parker offers a complete range of cylinder accessories to assure you of greatest versatility in present or future cylinder applications.

Rod End Accessories

Accessories offered for the rod end of the cylinder include Rod Clevis, Eye Bracket, and Pivot Pin. For dimensions and ordering details consult factory.

Acceleration and Deceleration Force Determination

The uniform acceleration force factor chart and the accompanying formula can be used to rapidly determine the forces required to accelerate and decelerate a cylinder load. To determine these forces, the following factors must be known: total weight to be moved, maximum piston speed, distance available to start or stop the weight (load), direction of movement i.e. horizontal or vertical, and load friction. By use of the known factors and the "g" factor from chart, the force necessary to accelerate or decelerate a cylinder load may be found by solving the formula (as shown in chart below) application to a given set of conditions.

Nomenclature

- V = Velocity in feet per minute
- S = Distance in inches
- F = Force in lbs.
- W = Weight of load in lbs.
- g = Force factor
- f = Friction of load on machine ways in pounds

To determine the force factor "g" from the chart, locate the intersection of the maximum piston velocity line and the line representing the available distance. Project downward to locate

"g" on the horizontal axis. To calculate the "g" factor for distances and velocities exceeding those shown on the chart, the following formula can be used:

$$g = v^2/s \times .0000517$$

Example: Horizontal motion of a free moving 25,000 lb. load is required with a distance of 1/2" to a maximum speed of 120 feet per minute.

Formula (1) $F = Wg$ should be used.

$$F = 25,000 \text{ pounds} \times 1.50 \text{ (from chart)} = 37,500 \text{ lbs.}$$

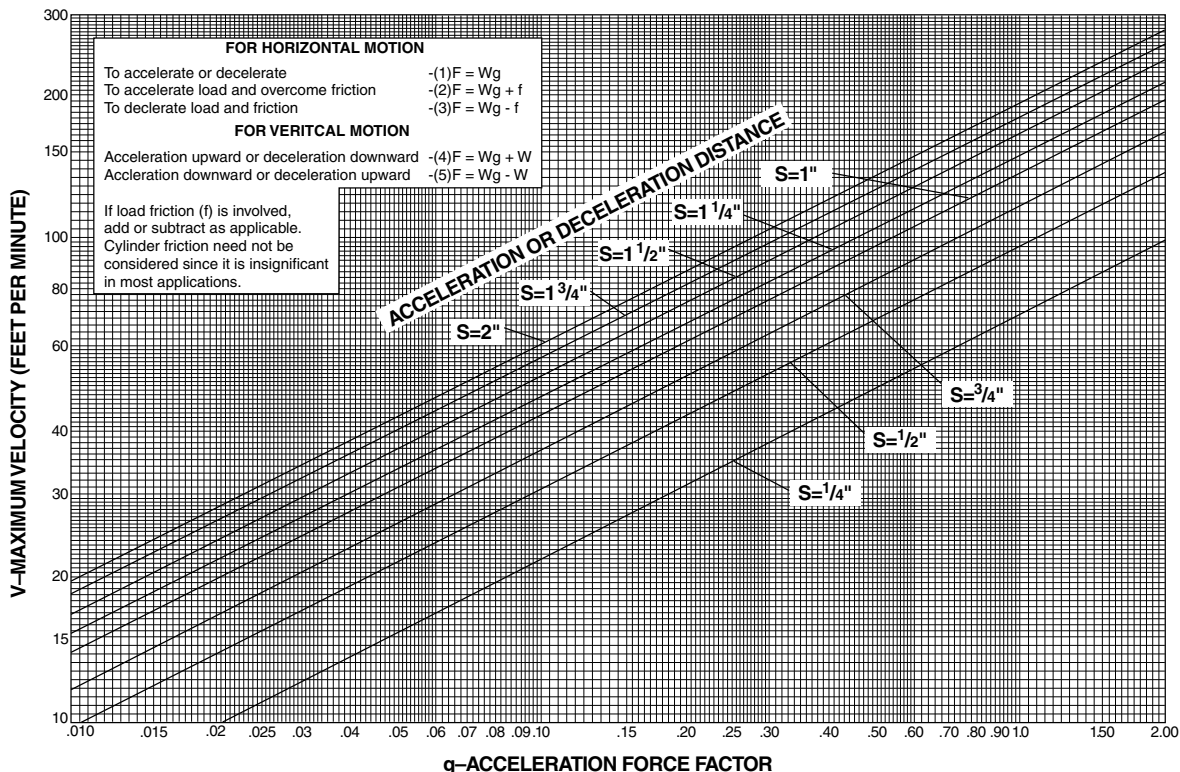
Assuming a maximum available pump pressure of 750 psi, a 10" bore cylinder should be selected, operating on push stroke at approximately 500 psi pressure at the cylinder.

Assume the same load to be sliding on ways with a coefficient of friction of 0.15. The resultant friction load would be $2,500 \times 0.15 = 3,750 \text{ lbs.}$

Formula (2) $F = Wg + f$ should be used.

$$F = 25,000 \text{ lbs.} \times 1.5 \text{ (from chart)} + 3,750 = 41,250 \text{ lbs.}$$

Again allowing 500 psi pressure at the cylinder, a 12" bore cylinder is indicated.



For additional information – call your local Parker Cylinder Distributor.

Series 3H Large Bore High Pressure Hydraulic Cylinders

Push and Pull Forces
Flow Velocity
Cylinder Weights

Theoretical Push and Pull Forces for Hydraulic Cylinders — Push Force and Displacement

Cylinder Bore Size (Inches)	Piston Area (Sq. In.)	Cylinder Push Stroke Force in Pounds at Various Pressures							Displacement Per Inch of Stroke (Gallons)
		100	250	500	1000	1500	2000	3000	
10	78.54	7854	19635	39270	78540	117810	157080	235620	.3400
12	113.10	11310	28275	56550	113100	169650	226200	339300	.4896
14	153.94	15394	38485	76970	153940	230910	307880	461820	.6664
16	201.06	20106	50265	100530	201060	301590	402120	603180	.8704
18	254.47	25447	63620	127230	254470	381700	508940	763410	1.1016
20	314.16	31416	78540	157080	314160	471240	628320	942480	1.3600

Deductions for Pull Force and Displacement

Piston Rod Diameter (Inches)	Piston Rod Area (Sq. In.)	Piston Diameter Force in Pounds at Various Pressures							Displacement Per Inch of Stroke (Gallons)
		100	250	500	1000	1500	2000	3000	
4 1/2	15.90	1590	3976	7950	15900	23860	31810	47700	.0688
5	19.63	1963	4908	9815	19630	29445	39260	58890	.0850
5 1/2	23.76	2376	5940	11880	23760	35640	47520	71280	.1028
7	38.48	3848	9620	19240	38480	57730	76970	115440	.1666
8	50.26	5026	12570	25130	50270	75400	100530	150780	.2176
9	63.62	6362	15900	31810	63620	95430	127230	190860	.2754
10	78.54	7854	19635	39270	78540	117810	157080	235620	.3400

Flow Velocity and Pressure Drop Data for Hydraulic Systems

The chart below may be used to calculate pressure loss in connecting lines at various flow velocities. The data is useful when determining hydraulic cylinder size and port size for applications where cylinder force and speed requirements are known.

S = Standard (Schedule 40) Pipe
H = Extra Strong (Schedule 80) Pipe
EH = Double Extra Strong Pipe

Tabulations based on a hydraulic oil having a viscosity of 155 SSU at 100°F — specific gravity of .87.

To determine tubing or hose losses, use I.D. closest to tubing or hose I.D.

Pressure drop does not vary with operating pressure. Avoid high pressure losses in low pressure systems. Use largest pipe size practical. Avoid flow velocities greater than 15 Ft./Sec. to reduce hydraulic line shock.

Clean Steel Pipe					Pressure Loss (Pounds Per Square Inch Per Foot Length) in Pipes at Average Flow Velocity (Feet Per Second) of												Equivalent Straight Pipe Length (Feet) for Circuit Components*							
Nominal Size Inches	O.D. Inches	I.D. Inches	Wall Thickness Inch	I.D. Area Sq. In.	5		7		10		15		20		25		30		Tee Elbow					
					Loss	Gal. Min.	Loss	Gal. Min.	Loss	Gal. Min.	Loss	Gal. Min.	Loss	Gal. Min.	Loss	Gal. Min.	Loss	Gal. Min.	Loss	Gal. Min.	Std.	Sq.	45°	
1	1.315	1.049	.133	.863	.10	13.45	.13	18.85	.34	26.90	.57	40.35	1.42	53.80	1.64	67.25	2.24	80.70	5.7	1.7	5.7	2.6	5.7	1.2
					.11	11.21	.15	15.70	.24	22.42	.62	33.63	1.23	44.84	1.84	56.05	2.93	67.26	5.2	1.6	5.2	2.5	5.2	1.1
					.26	4.39	.37	6.16	.53	8.78	.67	13.17	2.25	17.56	3.29	21.95	3.30	26.34	3.0	1.0	3.0	1.5	3.0	.75
1 1/4	1.660	1.380	.140	1.496	.05	23.35	.08	31.68	.25	46.70	.39	70.05	.78	93.40	1.18	116.75	1.47	140.10	7.5	2.4	7.5	3.7	7.5	1.6
					.07	19.95	.09	28.06	.26	39.90	.44	58.85	.85	79.80	1.27	99.75	1.80	119.70	7.0	2.1	7.0	3.5	7.0	1.5
					.13	9.83	.16	13.75	.24	19.66	.71	29.49	1.35	39.32	2.01	49.15	2.76	58.98	4.9	1.5	4.9	2.3	4.9	1.05
1 1/2	1.900	1.610	.145	2.036	.04	31.75	.11	44.49	.19	63.50	.33	95.25	.64	127.00	.96	158.75	1.26	190.50	9.0	2.8	9.0	4.3	9.0	2.0
					.04	27.55	.08	38.62	.21	55.10	.36	82.65	.71	110.20	1.06	137.75	1.36	145.30	8.2	2.6	8.2	4.0	8.2	1.8
					.09	14.81	.09	20.75	.32	29.62	.51	44.43	1.05	59.24	1.51	74.05	2.14	88.86	6.5	2.0	6.5	3.0	6.5	1.4
2	2.375	2.067	.154	3.355	.04	52.30	.08	73.45	.14	104.60	.24	159.20	.48	209.20	.69	261.50	.85	313.80	11.0	3.5	11.0	5.5	11.0	2.5
					.03	46.00	.09	64.60	.15	92.00	.26	138.00	.52	184.00	.73	230.00	.98	276.00	10.8	3.4	10.8	5.0	10.8	2.4
					.04	27.65	.12	38.78	.21	55.30	.36	82.95	.72	110.60	1.34	138.25	1.36	165.90	8.2	2.6	8.2	4.0	8.2	1.8
2 1/2	2.875	2.469	.203	4.788	.03	74.75	.07	104.80	.11	149.50	.20	224.25	.37	299.00	.53	373.75	.72	448.50	14.0	4.2	14.0	6.5	14.0	3.0
					.04	66.11	.07	92.60	.12	132.22	.21	198.33	.39	264.44	.57	330.55	.87	396.66	13.0	4.0	13.0	6.1	13.0	2.9
					.03	38.45	.10	53.40	.17	76.90	.30	115.35	.59	153.80	.79	192.25	1.15	230.70	10.3	3.1	10.3	4.8	10.3	2.2

*Consult valve manufacturer for pressure drops in a particular type of valve and port-to-port flow pattern.

Cylinder Weights, In Lbs., for Series 3H High Pressure Large Bore Hydraulic Cylinders

Bore Size	Rod Dia. (In.)	Rod Code	Single Rod Cylinders					Add Per In. of Stroke	Double Rod Cylinders	
			Basic Wt. Zero Stroke						Basic Wt. Zero Stroke Add to All Mtg. Styles	Add Per In. of Stroke
			D, DB	DD, JJ, HH	JB, HB	BB, C, E				
10	4 1/2	1	562	646	684	607	15	43	20	
	5	3	574	656	695	619	16	50	21	
	5 1/2	4	583	667	705	628	17	64	24	
	7	2	620	704	742	665	21	101	32	
12	5 1/2	1	924	1057	1136	1000	22	64	29	
	7	3	961	1094	1173	1036	26	101	37	
	8	2	1022	1155	1234	1097	29	162	43	
14	7	1	1335	1520	1582	1485	28	101	39	
	8	3	1396	1581	1643	1546	31	162	45	
	10	2	1496	1681	1743	1646	39	262	61	
				JJ, HH	JB, HB	BB				
16	8	1	2073	2257	2226	2226	35	149	49	
	9	3	2122	2305	2275	2275	39	198	57	
	10	4	2181	2364	2334	2334	43	257	65	
18	9	1	3165	3256	3330	3330	45	198	63	
	10	3	3224	3315	3390	3390	50	257	72	
20	10	1	4231	4406	4551	4551	57	257	79	

The weights shown at left are for standard Series 3H hydraulic cylinders equipped with various diameter piston rods. To determine the net weights of a cylinder, first select the proper basic weight for zero stroke, then calculate the weight of the cylinder stroke and add the result to the basic weight.

Extra weight for longer than standard rod extensions can be calculated from table below.

Rod Diameter	Weight Per Inch
4 1/2	4.50
5	5.56
5 1/2	6.72
7	10.89
8	14.22
10	22.23

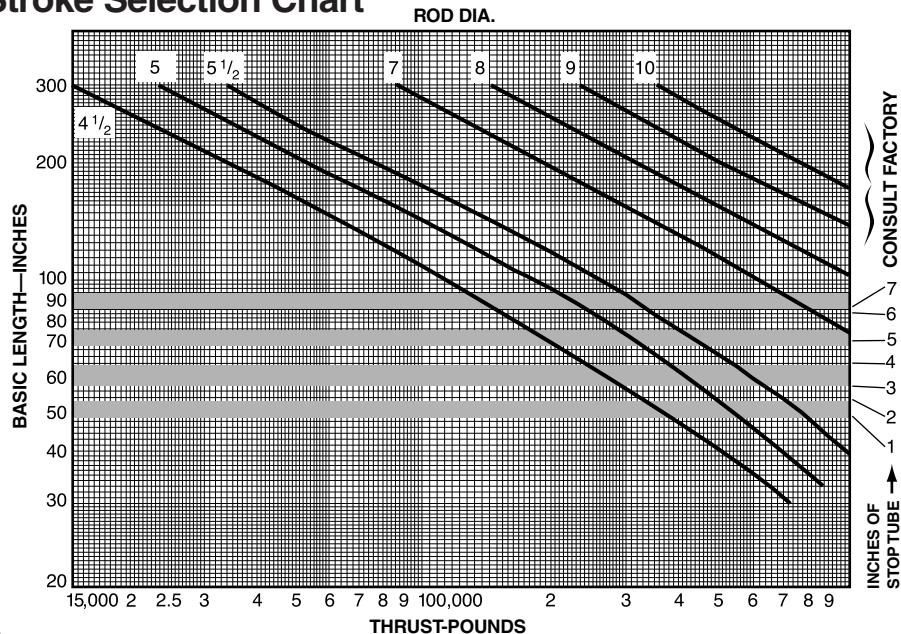
For Cylinder Division Plant Locations – See Page II.



Series 3H Large Bore High Pressure Hydraulic Cylinders

Cylinder Stroke Chart

Piston Rod — Stroke Selection Chart



How to Use the Chart

The selection of a piston rod for thrust (push) conditions requires the following steps:

1. Determine the type of cylinder mounting style and rod end connection to be used. Then consult the chart below and find the "stroke factor" that corresponds to the conditions used.
2. Using this stroke factor, determine the "basic length" from the equation:

$$\text{Basic Length} = \frac{\text{Actual Stroke}}{\text{Stroke Factor}} \times \text{Stroke}$$

The graph is prepared for standard rod extensions beyond the face of the gland retainers. For rod extensions greater than standard, add the increase to the stroke in arriving at the "basic length."

3. Find the load imposed for the thrust application by multiplying the full bore area of the cylinder by the system pressure.
4. Enter the graph along the values of "basic length" and "thrust" as found above and note the point of intersection:
 - A) The correct piston rod size is read from the diagonally curved line labeled "Rod Diameter" next above the point of intersection.
 - B) The required length of stop tube is read from the right of the graph by following the shaded band in which the point of intersection lies.

C) If required length of stop tube is in the region labeled "consult factory," submit the following information for an individual analysis:

- 1) Cylinder mounting style.
- 2) Rod end connection and method of guiding load.
- 3) Bore, required stroke, length of rod extension (Dim. "LA") if greater than standard, and series of cylinder used.
- 4) Mounting position of cylinder. (Note: If at an angle or vertical, specify direction of piston rod.)
- 5) Operating pressure of cylinder if limited to less than standard pressure for cylinder selected.

Warning ⚠

Piston rods are not normally designed to absorb bending moments or loads which are perpendicular to the axis of piston rod motion. These additional loads can cause the piston rod end to fail. If these types of additional loads are expected to be imposed on the piston rods, their magnitude should be made known to our Engineering Department so they may be properly addressed. Additionally, cylinder users should always make sure that the piston rod is securely attached to the machine member.

Recommended Mounting Styles for Maximum Stroke and Thrust Loads	Rod End Connection	Case	Stroke Factor
Class 1 — Groups 1 or 3 Long stroke cylinders for thrust loads should be mounted using a heavy-duty mounting style at one end, firmly fixed and aligned to take the principal force. Additional mounting should be specified at the opposite end, which should be used for alignment and support. An intermediate support may also be desirable for long stroke cylinders mounted horizontally.	Fixed and Rigidly Guided	I	.50
	Pivoted and Rigidly Guided	II	.70
	Supported but not Rigidly Guided	III	2.00
Class 2 — Group 2 Heavy-Duty Style D — Trunnion on Head Heavy-Duty Style DD — Intermediate Trunnion Heavy-Duty Style DB — Trunnion on Cap or Style BB — Clevis on Cap	Pivoted and Rigidly Guided	IV	1.00
	Pivoted and Rigidly Guided	V	1.50
	Pivoted and Rigidly Guided	VI	2.00

For additional information – call your local Parker Cylinder Distributor.

Hydraulic and Pneumatic Cylinders

Storage

At times cylinders are delivered before a customer is ready to install them and must be stored for a period of time. When storage is required the following procedures are recommended.

1. Store the cylinders in an indoor area which has a dry, clean and noncorrosive atmosphere. Take care to protect the cylinder from both internal corrosion and external damage.
2. Whenever possible cylinders should be stored in a vertical position (piston rod up). This will minimize corrosion due to possible condensation which could occur inside the cylinder. This will also minimize seal damage.
3. Port protector plugs should be left in the cylinder until the time of installation.
4. If a cylinder is stored full of hydraulic fluid, expansion of the fluid due to temperature changes must be considered. Installing a check valve with free flow out of the cylinder is one method.

Installation

1. Cleanliness is an important consideration, and Parker Hannifin cylinders are shipped with the ports plugged to protect them from contaminants entering the ports. These plugs should not be removed until the piping is to be installed. Before making the connection to the cylinder ports, piping should be thoroughly cleaned to remove all chips or burrs which might have resulted from threading or flaring operations.
2. Cylinders operating in an environment where air drying materials are present such as fast-drying chemicals, paint, or weld splatter, or other hazardous conditions such as excessive heat, should have shields installed to prevent damage to the piston rod and piston rod seals.
3. Proper alignment of the cylinder piston rod and its mating component on the machine should be checked in both the extended and retracted positions. Improper alignment will result in excessive rod gland and/or cylinder bore wear. On fixed mounting cylinders attaching the piston rod while the rod is retracted will help in achieving proper alignment.

Mounting Recommendations

1. Always mount cylinders using the largest possible high tensile alloy steel socket head screws that can fit in the cylinder mounting holes and torque them to the manufacturer's recommendations for their size.
2. Side-Mounted Cylinders – In addition to the mounting bolts, cylinders of this type should be equipped with thrust keys or dowel pins located so as to resist the major load.
3. Tie Rod Mounting – Cylinders with tie rod mountings are recommended for applications where mounting space is limited. The standard tie rod extension is shown as BB in dimension tables. Longer or shorter extensions can be supplied. Nuts used for this mounting style should be torqued to the same value as the tie rods for that bore size.
4. Flange Mount Cylinders – The controlled diameter of the rod gland extension on head end flange mount cylinders can be used as a pilot to locate the cylinders in relation to the machine. After alignment has been obtained, the flanges may be drilled for pins or dowels to prevent shifting.
5. Trunnion Mountings – Cylinders require lubricated bearing blocks with minimum bearing clearances. Bearing blocks should be carefully aligned and rigidly mounted so the trunnions will not be subjected to bending moments. The rod end should also be pivoted with the pivot pin in line and parallel to axis of the trunnion pins.
6. Clevis Mountings – Cylinders should be pivoted at both ends with centerline of pins parallel to each other. After cylinder is mounted, be sure to check to assure that the cylinder is free to swing through its working arc without interference from other machine parts.

Cylinder Trouble Shooting

External Leakage

1. Rod seal leakage can generally be traced to worn or damaged seals. Examine the piston rod for dents, gouges or score marks, and replace piston rod if surface is rough.

Rod seal leakage could also be traced to gland bearing wear. If clearance is excessive, replace rod gland and seal. Rod seal leakage can also be traced to seal deterioration. If seals are soft or gummy or brittle, check compatibility of seal material with lubricant used if air cylinder, or operating fluid if hydraulic cylinder. Replace with seal material, which is compatible with these fluids. If the seals are hard or have lost elasticity, it is usually due to exposure to temperatures in excess of 165°F. (+74°C). Shield the cylinder from the heat source to limit temperature to 350°F. (+177°C.) and replace with fluorocarbon seals.
2. Cylinder body seal leak can generally be traced to loose tie rods. Torque the tie rods to manufacturer's recommendation for that bore size.

Excessive pressure can also result in cylinder body seal leak. Determine maximum pressure to rated limits. Replace seals and retorque tie rods as in paragraph above. Excessive pressure can also result in cylinder body seal leak. Determine if the pressure rating of the cylinder has been exceeded. If so, bring the operating pressure down to the rating of the cylinder and have the tie rods replaced.

Pinched or extruded cylinder body seal will also result in a leak. Replace cylinder body seal and retorque as in paragraph above.

Cylinder body seal leakage due to loss of radial squeeze which shows up in the form of flat spots or due to wear on the O.D. or I.D. – Either of these are symptoms of normal wear due to high cycle rate or length of service. Replace seals as per paragraph above.

Internal Leakage

1. Piston seal leak (by-pass) 1 to 3 cubic inches per minute leakage is considered normal for piston ring construction. Virtually no static leak with lipseal type seals on piston should be expected. Piston seal wear is a usual cause of piston seal leakage. Replace seals as required.
2. With lipseal type piston seals excessive back pressure due to over-adjustment of speed control valves could be a direct cause of rapid seal wear. Contamination in a hydraulic system can result in a scored cylinder bore, resulting in rapid seal wear. In either case, replace piston seals as required.
3. What appears to be piston seal leak, evidenced by the fact that the cylinder drifts, is not always traceable to the piston. To make sure, it is suggested that one side of the cylinder piston be pressurized and the fluid line at the opposite port be disconnected. Observe leakage. If none is evident, seek the cause of cylinder drift in other component parts in the circuit.

Cylinder Fails to Move the Load

1. Pneumatic or hydraulic pressure is too low. Check the pressure at the cylinder to make sure it is to circuit requirements.
2. Piston Seal Leak – Operate the valve to cycle the cylinder and observe fluid flow at valve exhaust ports at end of cylinder stroke. Replace piston seals if flow is excessive.
3. Cylinder is undersized for the load – Replace cylinder with one of a larger bore size.
4. Piston rod broken. Bring the operating conditions of the cylinder to the attention of our engineering department and have our factory repair the cylinder.

Erratic or Chatter Operation

1. Excessive friction at gland or piston bearing due to load misalignment – Correct cylinder-to-load alignment.
2. Cylinder sized too close to load requirements – Reduce load or install larger cylinder.
3. Erratic operation could be traced to the difference between static and kinetic friction. Install speed control valves to provide a back pressure to control the stroke.

For Cylinder Division Plant Locations – See Page II.

Safety Guide for Selecting and Using Hydraulic, Pneumatic Cylinders and Their Accessories

WARNING: ⚠ FAILURE OF THE CYLINDER, ITS PARTS, ITS MOUNTING, ITS CONNECTIONS TO OTHER OBJECTS, OR ITS CONTROLS CAN RESULT IN:

- Unanticipated or uncontrolled movement of the cylinder or objects connected to it.
- Falling of the cylinder or objects held up by it.
- Fluid escaping from the cylinder, potentially at high velocity.

THESE EVENTS COULD CAUSE DEATH OR PERSONAL INJURY BY, FOR EXAMPLE, PERSONS FALLING FROM HIGH LOCATIONS, BEING CRUSHED OR STRUCK BY HEAVY OR FAST MOVING OBJECTS, BEING PUSHED INTO DANGEROUS EQUIPMENT OR SITUATIONS, OR SLIPPING ON ESCAPED FLUID.

Before selecting or using Parker Hannifin Corporation (the Company) cylinders or related accessories, it is important that you read, understand and follow the following safety information. Training is advised before selecting and using the Company's products.

1.0 General Instructions

1.1 Scope – This safety guide provides instructions for selecting and using (including assembling, installing, and maintaining) cylinder products. This safety guide is a supplement to and is to be used with the specific Company publications for the specific cylinder products that are being considered for use.

1.2 Fail Safe – Cylinder products can and do fail without warning for many reasons. All systems and equipment should be designed in a fail-safe mode so that if the failure of a cylinder product occurs people and property won't be endangered.

1.3 Distribution – Provide a free copy of this safety guide to each person responsible for selecting or using cylinder products. Do not select or use the Company's cylinders without thoroughly reading and understanding this safety guide as well as the specific Company publications for the products considered or selected.

1.4 User Responsibility – Due to very wide variety of cylinder applications and cylinder operating conditions, the Company does not warrant that any particular cylinder is suitable for any specific application. This safety guide does not analyze all technical parameters that must be considered in selecting a product. The hydraulic and pneumatic cylinders outlined in this catalog are designed to the Company's design guidelines and do not necessarily meet the design guideline of other agencies such as American Bureau of Shipping, ASME Pressure Vessel Code etc. The user, through its own analysis and testing, is solely responsible for:

- Making the final selection of the cylinders and related accessories.
- Determining if the cylinders are required to meet specific design requirements as required by the Agency(s) or industry standards covering the design of the user's equipment.
- Assuring that the user's requirements are met, OSHA requirements are met, and safety guidelines from the applicable agencies such as but not limited to ANSI are followed and that the use presents no health or safety hazards.
- Providing all appropriate health and safety warnings on the equipment on which the cylinders are used.

1.5 Additional Questions – Call the appropriate Company technical service department if you have any questions or require any additional information. See the Company publication for the product being considered or used, or call 1-847-298-2400, or go to www.parker.com, for telephone numbers of the appropriate technical service department.

2.0 Cylinder and Accessories Selection

2.1 Seals – Part of the process of selecting a cylinder is the selection of seal compounds. Before making this selection, consult the "seal information page(s)" of the publication for the series of cylinders of interest.

The application of cylinders may allow fluids such as cutting fluids, wash down fluids etc. to come in contact with the external area of the cylinder. These fluids may attack the piston rod wiper and or the primary seal and must be taken into account when selecting and specifying seal compounds.

Dynamic seals will wear. The rate of wear will depend on many operating factors. Wear can be rapid if a cylinder is mis-aligned or if the cylinder has been improperly serviced. The user must take seal wear into consideration in the application of cylinders.

2.2 Piston Rods – Possible consequences of piston rod failure or separation of the piston rod from the piston include, but are not limited to are:

- Piston rod and or attached load thrown off at high speed.
- High velocity fluid discharge.
- Piston rod extending when pressure is applied in the piston retract mode.

Piston rods or machine members attached to the piston rod may move suddenly and without warning as a consequence of other conditions occurring to the machine such as, but not limited to:

- Unexpected detachment of the machine member from the piston rod.

- Failure of the pressurized fluid delivery system (hoses, fittings, valves, pumps, compressors) which maintain cylinder position.
- Catastrophic cylinder seal failure leading to sudden loss of pressurized fluid.
- Failure of the machine control system.

Follow the recommendations of the "Piston Rod Selection Chart and Data" in the publication for the series of cylinders of interest. The suggested piston rod diameter in these charts must be followed in order to avoid piston rod buckling.

Piston rods are not normally designed to absorb bending moments or loads which are perpendicular to the axis of piston rod motion. These additional loads can cause the piston rod to fail. If these types of additional loads are expected to be imposed on the piston rod, their magnitude should be made known to our engineering department.

The cylinder user should always make sure that the piston rod is securely attached to the machine member.

On occasion cylinders are ordered with double rods (a piston rod extended from both ends of the cylinder). In some cases a stop is threaded on to one of the piston rods and used as an external stroke adjuster. On occasions spacers are attached to the machine member connected to the piston rod and also used as a stroke adjuster. In both cases the stops will create a pinch point and the user should consider appropriate use of guards. If these external stops are not perpendicular to the mating contact surface, or if debris is trapped between the contact surfaces, a bending moment will be placed on the piston rod, which can lead to piston rod failure. An external stop will also negate the effect of cushioning and will subject the piston rod to impact loading. Those two (2) conditions can cause piston rod failure. Internal stroke adjusters are available with and without cushions. The use of external stroke adjusters should be reviewed with our engineering department.

The piston rod to piston and the stud to piston rod threaded connections are secured with an anaerobic adhesive. The strength of the adhesive decreases with increasing temperature. Cylinders which can be exposed to temperatures above +250°F (+121°C) are to be ordered with a non studded piston rod and a pinned piston to rod joint.

2.3 Cushions – Cushions should be considered for cylinder applications when the piston velocity is expected to be over 4 inches/second.

Cylinder cushions are normally designed to absorb the energy of a linear applied load. A rotating mass has considerably more energy than the same mass moving in a linear mode. Cushioning for a rotating mass application should be reviewed by our engineering department.

2.4 Cylinder Mountings – Some cylinder mounting configurations may have certain limitations such as but not limited to minimum stroke for side or foot mounting cylinders or pressure de-ratings for certain mounts. Carefully review the catalog for these types of restrictions.

Always mount cylinders using the largest possible high tensile alloy steel socket head cap screws that can fit in the cylinder mounting holes and torque them to the manufacturer's recommendations for their size.

2.5 Port Fittings – Hydraulic cylinders applied with meter out or deceleration circuits are subject to intensified pressure at piston rod end.

The rod end pressure is approximately equal to:

$$\frac{\text{operating pressure} \times \text{effective cap end area}}{\text{effective rod end piston area}}$$

Contact your connector supplier for the pressure rating of individual connectors.

3.0 Cylinder and Accessories Installation and Mounting

3.1 Installation

3.1.1 – Cleanliness is an important consideration, and cylinders are shipped with the ports plugged to protect them from contaminants entering the ports. These plugs should not be removed until the piping is to be installed. Before making the connection to the cylinder ports, piping should be thoroughly cleaned to remove all chips or burrs which might have resulted from threading or flaring operations.

For additional information – call your local Parker Cylinder Distributor.

3.1.2 – Cylinders operating in an environment where air drying materials are present such as fast-drying chemicals, paint, or weld splatter, or other hazardous conditions such as excessive heat, should have shields installed to prevent damage to the piston rod and piston rod seals.

3.1.3 – Proper alignment of the cylinder piston rod and its mating component on the machine should be checked in both the extended and retracted positions. Improper alignment will result in excessive rod gland and/or cylinder bore wear. On fixed mounting cylinders attaching the piston rod while the rod is retracted will help in achieving proper alignment.

3.1.4 – Sometimes it may be necessary to rotate the piston rod in order to thread the piston rod into the machine member. This operation must always be done with zero pressure being applied to either side of the piston. Failure to follow this procedure may result in loosening the piston to rod-threaded connection. In some rare cases the turning of the piston rod may rotate a threaded piston rod gland and loosen it from the cylinder head. Confirm that this condition is not occurring. If it does, re-tighten the piston rod gland firmly against the cylinder head.

For double rod cylinders it is also important that when attaching or detaching the piston rod from the machine member that the torque be applied to the piston rod end of the cylinder that is directly attaching to the machine member with the opposite end unrestrained. If the design of the machine is such that only the rod end of the cylinder opposite to where the rod attaches to the machine member can be rotated, consult the factory for further instructions.

3.2 Mounting Recommendations

3.2.1 – Always mount cylinders using the largest possible high tensile alloy steel socket head screws that can fit in the cylinder mounting holes and torque them to the manufacturer's recommendations for their size.

3.2.2 – Side-Mounted Cylinders – In addition to the mounting bolts, cylinders of this type should be equipped with thrust keys or dowel pins located so as to resist the major load.

3.2.3 – Tie Rod Mounting – Cylinders with tie rod mountings are recommended for applications where mounting space is limited. The standard tie rod extension is shown as BB in dimension tables. Longer or shorter extensions can be supplied. Nuts used for this mounting style should be torqued to the same value as the tie rods for that bore size.

3.2.4 – Flange Mount Cylinders – The controlled diameter of the rod gland extension on head end flange mount cylinders can be used as a pilot to locate the cylinders in relation to the machine. After alignment has been obtained, the flanges may be drilled for pins or dowels to prevent shifting.

3.2.5 – Trunnion Mountings – Cylinders require lubricated bearing blocks with minimum bearing clearances. Bearing blocks should be carefully aligned and rigidly mounted so the trunnions will not be subjected to bending moments. The rod end should also be pivoted with the pivot pin in line and parallel to axis of the trunnion pins.

3.2.6 – Clevis Mountings – Cylinders should be pivoted at both ends with centerline of pins parallel to each other. After cylinder is mounted, be sure to check to assure that the cylinder is free to swing through its working arc without interference from other machine parts.

4.0 Cylinder and Accessories Maintenance, Troubleshooting and Replacement

4.1 Storage – At times cylinders are delivered before a customer is ready to install them and must be stored for a period of time. When storage is required the following procedures are recommended.

4.1.1 – Store the cylinders in an indoor area which has a dry, clean and noncorrosive atmosphere. Take care to protect the cylinder from both internal corrosion and external damage.

4.1.2 – Whenever possible cylinders should be stored in a vertical position (piston rod up). This will minimize corrosion due to possible condensation which could occur inside the cylinder. This will also minimize seal damage.

4.1.3 – Port protector plugs should be left in the cylinder until the time of installation.

4.1.4 – If a cylinder is stored full of hydraulic fluid, expansion of the fluid due to temperature changes must be considered. Installing a check valve with free flow out of the cylinder is one method.

4.1.5 – When cylinders are mounted on equipment that is stored outside for extended periods, exposed unpainted surfaces, e.g. piston rod, must be coated with a rust-inhibiting compound to prevent corrosion.

4.2 Cylinder Trouble Shooting

4.2.1 – External Leakage

4.2.1.1 – Rod seal leakage can generally be traced to worn or damaged seals. Examine the piston rod for dents, gouges or score marks, and replace piston rod if surface is rough.

Rod seal leakage could also be traced to gland wear. If clearance is excessive, replace rod bushing and seal. Rod seal leakage can also be traced to seal deterioration. If seals are soft or gummy or brittle, check compatibility of seal material with lubricant used if air cylinder, or operating fluid if hydraulic cylinder. Replace with seal material, which is compatible with these fluids. If the seals are hard or have lost elasticity, it is usually due to exposure to temperatures in excess of 165°F. (+74°C). Shield the cylinder from the heat source to limit temperature to 350°F. (+177°C.) and replace with fluorocarbon seals.

4.2.1.2 – Cylinder body seal leak can generally be traced to loose tie rods. Torque the tie rods to manufacturer's recommendation for that bore size.

Excessive pressure can also result in cylinder body seal leak. Determine maximum pressure to rated limits. Replace seals and retorque tie rods as in paragraph above. Excessive pressure can also result in cylinder body seal leak. Determine if the pressure rating of the cylinder has been exceeded. If so, bring the operating pressure down to the rating of the cylinder and have the tie rods replaced.

Pinched or extruded cylinder body seal will also result in a leak. Replace cylinder body seal and retorque as in paragraph above.

Cylinder body seal leakage due to loss of radial squeeze which shows up in the form of flat spots or due to wear on the O.D. or I.D. – Either of these are symptoms of normal wear due to high cycle rate or length of service. Replace seals as per paragraph above.

4.2.2 – Internal Leakage

4.2.2.1 – Piston seal leak (by-pass) 1 to 3 cubic inches per minute leakage is considered normal for piston ring construction. Virtually no static leak with lipseal type seals on piston should be expected. Piston seal wear is a usual cause of piston seal leakage. Replace seals as required.

4.2.2.2 – With lipseal type piston seals excessive back pressure due to over-adjustment of speed control valves could be a direct cause of rapid seal wear. Contamination in a hydraulic system can result in a scored cylinder bore, resulting in rapid seal wear. In either case, replace piston seals as required.

4.2.2.3 – What appears to be piston seal leak, evidenced by the fact that the cylinder drifts, is not always traceable to the piston. To make sure, it is suggested that one side of the cylinder piston be pressurized and the fluid line at the opposite port be disconnected. Observe leakage. If none is evident, seek the cause of cylinder drift in other component parts in the circuit.

4.2.3 – Cylinder Fails to Move the Load

4.2.3.1 – Pneumatic or hydraulic pressure is too low. Check the pressure at the cylinder to make sure it is to circuit requirements.

4.2.3.2 – Piston Seal Leak – Operate the valve to cycle the cylinder and observe fluid flow at valve exhaust ports at end of cylinder stroke. Replace piston seals if flow is excessive.

4.2.3.3 – Cylinder is undersized for the load – Replace cylinder with one of a larger bore size.

4.3 Erratic or Chatter Operation

4.3.1 – Excessive friction at rod gland or piston bearing due to load misalignment – Correct cylinder-to-load alignment.

4.3.2 – Cylinder sized too close to load requirements – Reduce load or install larger cylinder.

4.3.3 – Erratic operation could be traced to the difference between static and kinetic friction. Install speed control valves to provide a back pressure to control the stroke.

4.4 Cylinder Modifications, Repairs, or Failed Component – Cylinders as shipped from the factory are not to be disassembled and or modified. If cylinders require modifications, these modifications must be done at company locations or by the Company's certified facilities. The Cylinder Division Engineering Department must be notified in the event of a mechanical fracture or permanent deformation of any cylinder component (excluding seals). This includes a broken piston rod, tie rod, mounting accessory or any other cylinder component. The notification should include all operation and application details. This information will be used to provide an engineered repair that will prevent recurrence of the failure.

It is allowed to disassemble cylinders for the purpose of replacing seals or seal assemblies. However, this work must be done by strictly following all the instructions provided with the seal kits.

Training Courses

Involvement Training

- Industrial Hydraulic Technology 1
- Industrial Hydraulic Technology 2
- Hydraulic Component Sizing
- Hydraulic Maintenance Technology
- Hydraulic Pumps & Controls
- Introduction to Electrohydraulics
- Electrohydraulic Feedback Systems
- Cartridge Valve Systems
- Mobile Hydraulic Technology
- Basic Pneumatic Technology
- Pneumatic Technology

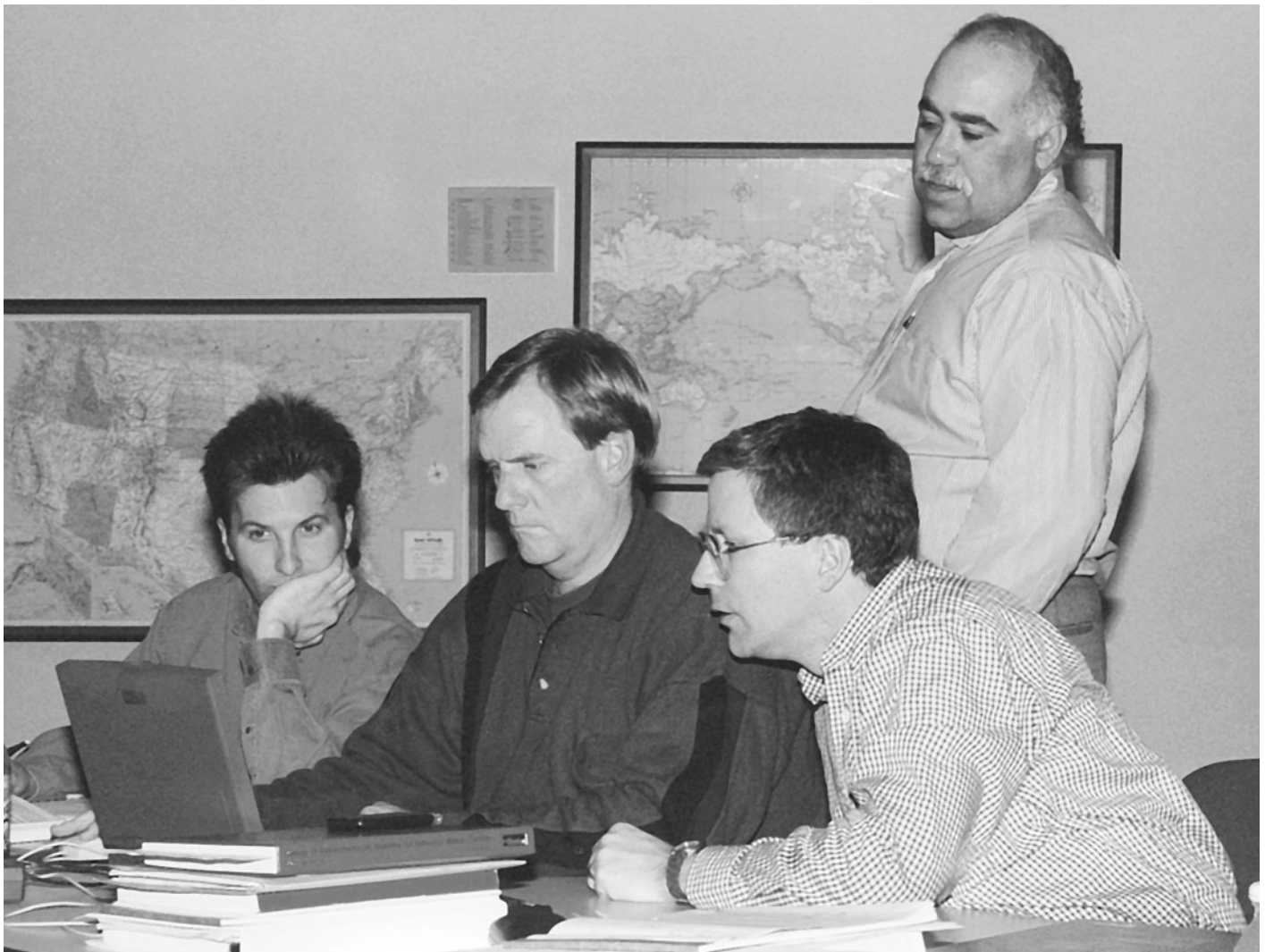
Video Tape Programs, CD-ROMs

- Hydraulic & Pneumatic Video Tapes & CDs

Motion Control Training Materials

Portable Hydraulic Trainer Stand

- Operates on 115 volt AC
- Standard Industrial Components
- No loose components to misplace
- Easy to move
- Quiet operation



For more information contact the Motion Control
Training Dept., phone 216-896-2495, fax 216-514-6738,
e-mail mctrain@parker.com



What is Involvement Training?

The Motion Control Training Department was established in the early seventies. It was at this time that the department's charter was written. In this document it was stated that the general area of activity would include all phases of technical training for the hydraulic and pneumatic industries. This training would be noncommercial, involving state of the art technology.

The Parker approach is one of involvement training. In its full scope, involvement training is active participation. This participation results in excellent student retention, plus a very comfortable way of learning. It has been received with great enthusiasm.

Our present efforts involve eleven continually running courses. They are:

- Industrial Hydraulic Technology 1
- Industrial Hydraulic Technology 2
- Hydraulic Component Sizing
- Hydraulic Maintenance Technology
- Hydraulic Pumps and Controls
- Mobile Hydraulic Technology
- Introduction to Electrohydraulics
- Electrohydraulic Feedback Systems
- Cartridge Valve Systems
- Basic Pneumatic Technology
- Pneumatic Circuitry

All the above courses have associated texts or visual aids. Also, sets of video tapes and CD-ROMs are available.

The success of any training endeavor is difficult to measure. However, a few concrete statistics will show that involvement training is working. For one, customer enrollment has our class registration backlogged. In addition, 500 colleges, universities and technical institutions are using our text materials; educational institutions such as Ohio State University, Purdue University and Maine Maritime Academy.

Many corporations and government agencies have adopted our courses to be used in plant to train their ever changing work force. Names like Chrysler, General Motors, Ford, IBM, and Virginia Department of Highways have all used these programs successfully.

If you feel that any of the training materials and/or training developed here at Parker could be of use to you, we welcome your inquiry. We stand ready to become INVOLVED WITH YOU.



**For more information contact the Motion Control
Training Dept., phone 216-896-2495, fax 216-514-6738,
e-mail mctrain@parker.com**

Parker Involvement Training Courses

Industrial Hydraulic Technology 1 and 2

Parker Hannifin's **Industrial Hydraulic Technology 1 and 2** (IHT1) are completely integrated 3-day programs during which you discuss and work with fundamental fluid power principles and formulas, and actually experience the functional characteristics of the complete spectrum of hydraulic components.

You will be studying and using pumps, flow valves, pressure valves, directional valves, hydraulic motors, filters, cylinders and accumulators. And, because its divisions actually manufacture and market all of these products, Parker Hannifin is uniquely qualified to give you an in-depth practical knowledge of how to best use them in your field. You will receive the broadest and deepest exposure possible during a five-day period.

At least 25% of the time you will be working at the Parker Hannifin Portable Hydraulic Trainer Stands. These units were designed and built by Parker Hannifin expressly for this program. They supply you with all the necessary components – valves, pumps, motor, cylinders, filters, power unit, hoses and gauges – to hook up to working hydraulic circuits and then check flows, pressure and velocity. Unlike most other training apparatus, the Parker Hannifin stands operate at pressures up to 500 psi so that you can closely simulate real system conditions.

The balance of your time will be devoted to classroom sessions. But, these are designed for maximum interest and involvement. There is plenty of lively discussion, questions, answers and practical problem solving.

The **Industrial Hydraulic Technology 1 and 2** courses are conducted at these Parker Hannifin locations: Elyria, OH; Irvine, CA; Troy, MI; Milton, ONT, Canada and Calgary, AB, Canada. The course fee includes the textbooks and use of special equipment. Your meals, transportation and lodging are not included. However, Parker Hannifin will be glad to assist you with lodging arrangements.

Further information can be obtained by contacting the Parker Hannifin Motion Control Training Dept., 6035 Parkland Blvd., Cleveland, OH 44124-4141 (216) 896-2495, or visit our website at www.parker.com/training.

Hydraulic Component Sizing

Hydraulic Component Sizing (HCS) is ideally suited for the new designer and the maintenance and service individual who needs that important step beyond fundamental circuit design; that step that provides a more comprehensive understanding of efficient power transmission.

This program, using standard catalog data and standard formulas creates a benchmark that allows the student to objectively analyze the quality of the circuit in terms of efficiency and energy conservation. You will learn how to overcome problem areas and also become aware of the proper conditions for selecting components such as pressure compensated valves and fixed vs. compensated pumps.

Parker Hannifin has written a special textbook for this course, which you will use during the program as the basis for your discussions and practical problem solving.

Since **Hydraulic Component Sizing** is an analytical course, we want to ensure that all participants have a solid, relatively equal background in basic fluid power technology. Completion of Parker's **Industrial Hydraulic Technology 1 and 2** courses are an ideal foundation for understanding and further pursuing the maximum energy savings approach that is key to the **Hydraulic Component Sizing** subject matter.

The Hydraulic Component Sizing course is conducted at these Parker Hannifin locations: Elyria, OH; Troy, MI; Irvine, CA; and Milton, ONT, Canada.

Further information can be obtained by contacting the Parker Hannifin Motion Control Training Dept., 6035 Parkland Blvd., Cleveland, OH 44124-4141 (216) 896-2495, or visit our website at www.parker.com/training.

Hydraulic Maintenance Technology

Hydraulic Maintenance Technology (HMT) is ideally suited for maintenance personnel, engineers, first-line supervisors and anyone desiring an in-depth understanding and appreciation of hydraulic system component operation and troubleshooting techniques. Participants should have completed the **Industrial Hydraulic Technology 1 and 2** courses or equivalent.

The topics covered in this four-day program are graphic symbols of hydraulic components, in which we utilize the International Standards Organization (ISO) System; troubleshooting common hydraulic components such as pumps, cylinders, valves, rotary actuators, hydraulic motors; hose and tube fittings maintenance and assembly; and maintenance of fluid power systems.

The **Hydraulic Maintenance Technology** course is conducted at the Parker Hannifin location in Elyria, OH. The course fee includes the textbook, template and use of special equipment. Your meals, transportation and lodging are not included. However, Parker Hannifin will be glad to assist you with lodging arrangements.

For more information contact the Motion Control
Training Dept., phone 216-896-2495, fax 216-514-6738,
e-mail mctrain@parker.com



Further information can be obtained by contacting the Parker Hannifin Motion Control Training Dept., 6035 Parkland Blvd., Cleveland, OH 44124-4141 (216) 896-2495, or visit our website at www.parker.com/training.

Hydraulic Pumps and Controls

In **Hydraulic Pumps and Controls** (HPC) the students learn a logical procedure for designing circuits, not just from the standpoint to make them work, but to make them work efficiently. This is done by approaching the entire design with a view toward power transmission and ultimate circuit efficiency. This is accomplished by concentrating on the power unit. That is, the various variable volume pressure compensated pumps and numerous pump controls are examined in detail.

An important result of this new Parker design method is that the student can always obtain a very efficient circuit. Therefore, it is possible for a group of designers to develop very similar circuits for each set of mechanical requirements. The only variance will be in the sequential logic and the appearance, which depends upon which components are selected.

System design is aided by Parker's hands-on approach to learning. The course attendees will receive ample opportunity to practice their newly acquired skills. Approximately 40% of the class time is spent in the training lab using the Parker hydraulic power units and trainer stands. This familiarization with typical styles of variable volume pressure compensated pumps and their controls, ties together the lecture material and the design problem. This practical approach to efficient hydraulic systems is easily followed by the attendees as the instructor presents the course text material. The instructor supplements this material with many years of fluid power industrial involvement. Your final benefit is in economy. As we proceed in **Hydraulic Pumps and Controls**, we demonstrate that circuits designed with the new method are less expensive to operate and maintain. Also included is the Parker *Design Engineers Handbook*.

To get the most from this course, it is necessary to establish prerequisites for attendance. This assures that everyone participating has approximately equal knowledge of fluid power and can work at a compatible pace. You should have a working knowledge in the fluid power field and have previously completed Parker's **Hydraulic Component Sizing** course.

The **Hydraulic Pumps and Controls** course is conducted at the Elyria, OH; and Irvine, CA locations. The course fee includes class manual, textbook and use of special equipment. Your meals, transportation

and lodging are not included. However, Parker Hannifin will assist you with lodging arrangements.

Further information can be obtained by contact the Parker Hannifin Motion Control Training Dept., 6035 Parkland Blvd., Cleveland, OH 44124-4141 (216) 896-2495, or visit our website at www.parker.com/training.

Introduction to Electrohydraulics

The **Introduction to Electrohydraulics** (EHD) course is designed for the individual who requires an increased understanding of the rapidly emerging field of electrohydraulic proportional control valves and the electronics used to operate these valves. The individual must have completed the **Industrial Hydraulic Technology** and the **Hydraulic Component Sizing** courses or equivalent. Basic DC theory knowledge is helpful but not necessary, as the topic is covered in the course.

In this five-day course we present fundamental electronic theory applicable to electrohydraulic proportional valves; help participants understand how electrohydraulic proportional valves operate; examine in detail a typical circuit board used with a typical electrohydraulic proportional valve.

Approximately 50% of the class time is spent in the lab where the individual is familiarized with lab instrumentation and various circuits on the printed circuit board are examined in detail.

The **Introduction to Electrohydraulics** course is conducted at the Elyria, OH; and Irvine, CA, locations. The course fee includes the textbook and use of special equipment. Your meals, transportation and lodging are not included. However, Parker Hannifin will assist you with lodging arrangements.

Further information can be obtained by contacting the Parker Hannifin Motion Control Training Dept., 6035 Parkland Blvd., Cleveland, OH 44124-4141 (216) 896-2495, or visit our website at www.parker.com/training.

Electrohydraulic Feedback Systems

Electrohydraulic Feedback Systems (EFS) course is designed for engineering oriented individuals requiring an in-depth understanding of electrohydraulic feedback control systems. Attendees should have completed the Parker Introduction to Electrohydraulics prior to attending this advanced course.

The following topics are covered in this course: servo valve sizing, basic positional servo valve systems, position transducers, speed transducers, frequency response curves, transfer functions and speed control loops.

**For more information contact the Motion Control
Training Dept., phone 216-896-2495, fax 216-514-6738,
e-mail mctrain@parker.com**

Approximately 50% of the class time is spent in the lab working with various feedback control systems to gain a better understanding of their operating characteristics.

The **Electrohydraulic Feedback Systems** course is conducted at the Parker Hannifin locations in Elyria, OH; and Irvine, CA. The course fee includes the textbook and use of special equipment. Your meals, transportation and lodging are not included. Parker Hannifin will be glad to assist you with lodging arrangements.

Further information can be obtained by contacting the Parker Hannifin Motion Control Training Dept., 6035 Parkland Blvd., Cleveland, OH 44124-4141 (216) 896-2495, or visit our website at www.parker.com/training.

Cartridge Valve Systems

Cartridge Valve Systems (CVS) course is an integrated three-day course where the student will work with and discuss the principles, applications, formulas and functional characteristics of “insert” or “DIN” style cartridge valves.

The student will learn the practical aspects of “insert” and “screw-in” style cartridge valves as they apply to industrial machinery. Principles of operation, functional characteristics, and typical applications for these valves are presented. The student also uses performance characteristics and fluid power formulas in realistic design problems. Valves studied include spool and poppet types, pilot operated valves, direct acting types, and multistage valves, as well as proportional types.

Cartridge Valve Systems is recommended for maintenance personnel, technicians and engineering personnel. It is also suitable for sales and non-technical personnel who want to increase their knowledge and understanding of cartridge valve systems.

Parker’s **Cartridge Valve Systems** course integrates classroom sessions with lab activities to give the student practical knowledge and skills that can be used in a workplace setting. In the labs students get hands-on experience with typical valves, and the circuits which use them.

The **Cartridge Valve Systems** course is conducted at the Parker Hannifin location in Elyria, OH. The course fee includes class manual and use of special equipment. Your meals, transportation and lodging are not included. Parker Hannifin will be glad to assist you with lodging arrangements.

Further information can be obtained by contacting the Parker Hannifin Motion Control Training Dept., 6035 Parkland Blvd., Cleveland, OH 44124-4141 (216) 896-2495, or visit our website at www.parker.com/training.

Mobile Hydraulic Technology

Mobile Hydraulic Technology (MHT) is a new course being developed. Please contact us for details and class availability at Parker Hannifin Corporation, Motion Control Training Dept., 6035 Parkland Blvd., Cleveland, OH 44124-4141 (216) 896-2495, or visit our website at www.parker.com/training.

Basic Pneumatic Technology

Parker Hannifin’s **Basic Pneumatic Technology** (IPT) course is a completely integrated three-day program during which you discuss and work with fundamental fluid power principles and formulas, and actually experience the functional characteristics of the complete spectrum of pneumatic components.

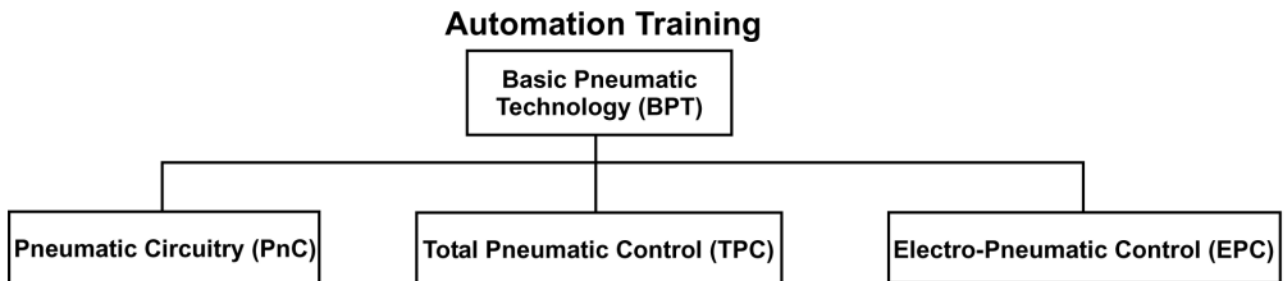
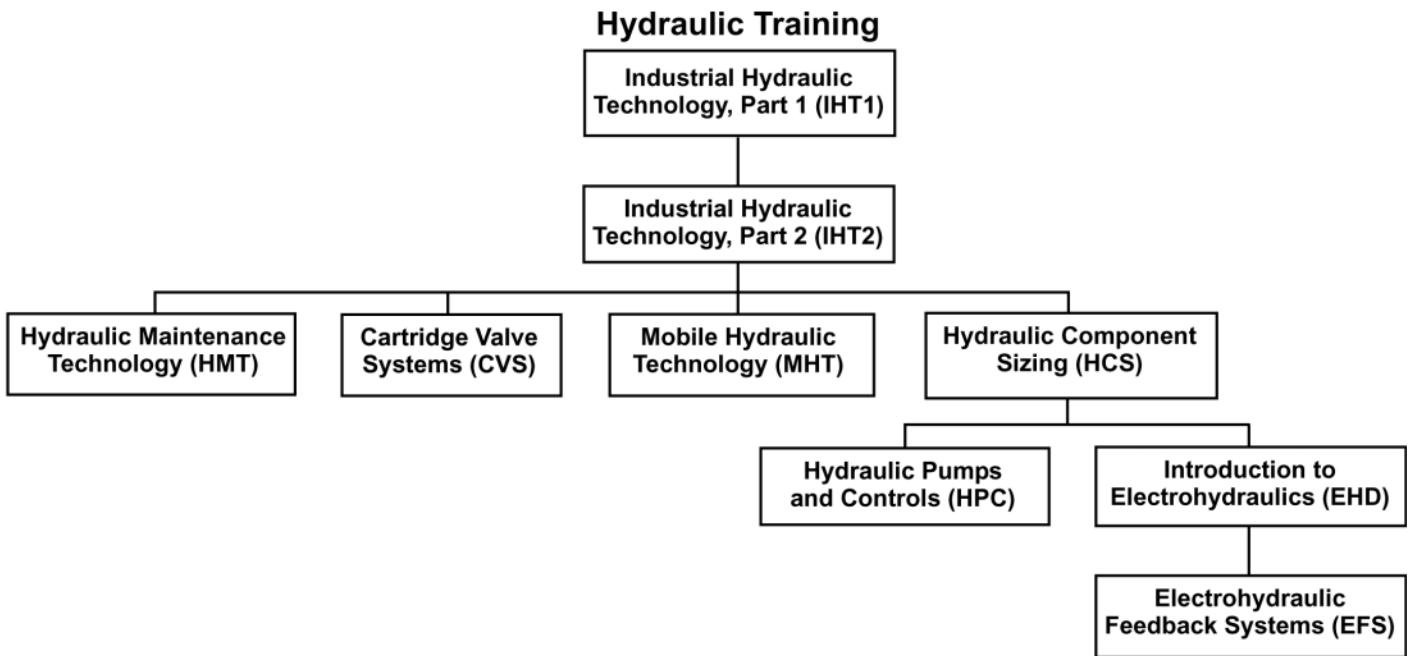
You will learn about dryers, air receivers, flow valves, filters, pressure valves, regulators, lubricators, directional valves, silencers, quick exhaust valves, and actuators. And because Parker Hannifin divisions actually manufacture and market most of these products, it is uniquely qualified to give you an in-depth, practical knowledge of how to best use them in your field. You will receive the broadest and deepest exposure possible during a three-day period.

At least 25% of the time you will be working at the Parker Hannifin pneumatic trainer boards. These units were developed and built by Parker Hannifin expressly for this program. They supply you with all the necessary components to hook up working pneumatic circuits.

The balance of your time will be devoted to classroom sessions. But these too are designed for maximum interest and involvement. There is plenty of lively discussion, questions, answers and practical problem solving.

The **Basic Pneumatic Technology** is conducted at these Parker Hannifin locations: Troy, MI; Atlanta, GA; Irvine, CA; Toronto, Canada.

For further information please contact the Motion Control Training Dept., 6035 Parkland Blvd., Cleveland, OH 44124-4141 (216) 896-2495 or visit our website at www.parker.com/training.



**For more information contact the Motion Control
Training Dept., phone 216-896-2495, fax 216-514-6738,
e-mail mctrain@parker.com**

Video Tape Instruction and CD-ROMs



Industrial Hydraulic Technology

14 Video Tapes, 1 Textbook, 1 Instructor's Guide
Bulletin 0299-T1

The Industrial Hydraulic Technology course material is available using an audio-visual tape training method. The various tapes aid in the instruction of basic hydraulics. With all the training information stored on the cassette tapes, the training sessions can be repeated as often as necessary, allowing each student to acquire technical knowledge at his or her own pace. Tapes are available as a set or individually.



Basic Pneumatic Technology CD-ROM

Bulletin 0298-P4

With years of product expertise and worldwide resources, Parker has developed the Basic Pneumatic Technology CD. It is the equivalent of countless textbooks, videos and classroom lectures covering the subject of basic pneumatic components and systems technology. Using the latest computer based training techniques, along with state-of-the-art animated and video motion visuals, Basic Pneumatic Technology is designed to maximize information retention while reducing student's time and related educational expenses. This CD is also available in Spanish and German.



Industrial Pneumatic Technology Video Training Library

Bulletin 0299-T7

The pneumatic Video Training Library consists of 4 video tapes on pneumatic systems, compressed air, air preparation and pneumatic directional control valves. Available as a set or individually.



IHT Computer Transparencies

Bulletin 0232-B3/CD

All graphics from the Industrial Hydraulic Technology textbook, Bul. 0232-B1, have been placed on one convenient, easy to use CD-ROM.

For more information contact the Motion Control
Training Dept., phone 216-896-2495, fax 216-514-6738,
e-mail mctrain@parker.com

Parker
Cylinder



Portable Hydraulic Trainer Stand

General Description – The Parker Portable Hydraulic Trainer Stand is designed to be a tool for learning hydraulic technology principles and circuitry. It has been engineered for ruggedness, portability and ease of operation. For detailed information, request Bulletin 0203.

Features

- Self-contained stand
- Operates on 115 volt AC
- Standard industrial components
- Rugged construction
- Vertical panel
- Quick hose disconnects
- 0-500 psi (0-34 bar) operation
- 3000 psi (207 bar) rated components
- Hose storage rack
- Components panel mounted
- Quiet operation
- Ball valve
- Needle valve
- Parker filtration
- CE Compliant conversion available

Benefits

- All necessary components readily accessible
- Plugs into standard 110 volt outlet
- Familiarization with “real world” components
- Long, trouble-free operation
- Allows easy access to components
- Facilitates faster circuit hook up; no tools required
- Safe operating pressure
- Safer operation, longer component life
- Safe, convenient storage
- No loose components to misplace
- Great for classroom learning
- Can simulate sound of cavitation
- Can simulate sound of aeration
- 2 year warranty on hydraulic components
- CE compliant version available

For more information contact the Motion Control
Training Dept., phone 216-896-2495, fax 216-514-6738,
e-mail mctrain@parker.com

Offer of Sale

The items described in this document and other documents and descriptions provided by Parker Hannifin Corporation, Hydraulics Group, and its authorized distributors ("Seller") are hereby offered for sale at prices to be established by Seller. This offer and its acceptance by any customer ("Buyer") shall be governed by all of the following Terms and Conditions. Buyer's order for any item described in its document, when communicated to Seller verbally, or in writing, shall constitute acceptance of this offer. All goods or work described will be referred to as "Products".

1. Terms and Conditions. Seller's willingness to offer Products, or accept an order for Products, to or from Buyer is expressly conditioned on Buyer's assent to these Terms and Conditions and to the terms and conditions found on-line at www.parker.com/sale/terms/. Seller objects to any contrary or additional term or condition of Buyer's order or any other document issued by Buyer.

2. Price Adjustments; Payments. Prices stated on the reverse side or preceding pages of this document are valid for 30 days. After 30 days, Seller may change prices to reflect any increase in its costs resulting from state, federal or local legislation, price increases from its suppliers, or any change in the rate, charge, or classification of any carrier. The prices stated on the reverse or preceding pages of this document do not include any sales, use, or other taxes unless so stated specifically. Unless otherwise specified by Seller, all prices are F.O.B. Seller's facility, and payment is due 30 days from the date of invoice. After 30 days, Buyer shall pay interest on any unpaid invoices at the rate of 1.5% per month or the maximum allowable rate under applicable law.

3. Delivery Dates; Title and Risk; Shipment. All delivery dates are approximate and Seller shall not be responsible for any damages resulting from any delay. Regardless of the manner of shipment, title to any products and risk of loss or damage shall pass to Buyer upon tender to the carrier at Seller's facility (i.e., when it's on the truck, it's yours). Unless otherwise stated, Seller may exercise its judgment in choosing the carrier and means of delivery. No deferment of shipment at Buyers' request beyond the respective dates indicated will be made except on terms that will indemnify, defend and hold Seller harmless against all loss and additional expense. Buyer shall be responsible for any additional shipping charges incurred by Seller due to Buyer's changes in shipping, product specifications or in accordance with Section 13, herein.

4. Warranty. Seller warrants that the Products sold hereunder shall be free from defects in material or workmanship for a period of eighteen months from the date of delivery to Buyer. The prices charged for Seller's products are based upon the exclusive limited warranty stated above, and upon the following disclaimer: **DISCLAIMER OF WARRANTY: THIS WARRANTY COMPRISES THE SOLE AND ENTIRE WARRANTY PERTAINING TO PRODUCTS PROVIDED HEREUNDER. SELLER DISCLAIMS ALL OTHER WARRANTIES, EXPRESS AND IMPLIED, INCLUDING MERCHANTABILITY AND FITNESS FOR A PARTICULAR PURPOSE.**

5. Claims; Commencement of Actions. Buyer shall promptly inspect all Products upon delivery. No claims for shortages will be allowed unless reported to the Seller within 10 days of delivery. No other claims against Seller will be allowed unless asserted in writing within 60 days after delivery or, in the case of an alleged breach of warranty, within 30 days after the date within the warranty period on which the defect is or should have been discovered by Buyer. Any action based upon breach of this agreement or upon any other claim arising out of this sale (other than an action by Seller for any amount due to Seller from Buyer) must be commenced within thirteen months from the date of tender of delivery by Seller or, for a cause of action based upon an alleged breach of warranty, within thirteen months from the date within the warranty period on which the defect is or should have been discovered by Buyer.

6. LIMITATION OF LIABILITY. UPON NOTIFICATION, SELLER WILL, AT ITS OPTION, REPAIR OR REPLACE A DEFECTIVE PRODUCT, OR REFUND THE PURCHASE PRICE. IN NO EVENT SHALL SELLER BE LIABLE TO BUYER FOR ANY SPECIAL, INDIRECT, NC DENTAL OR CONSEQUENTIAL DAMAGES ARISING OUT OF, OR AS THE RESULT OF, THE SALE, DELIVERY, NON-DELIVERY, SERVICING, USE OR LOSS OF USE OF THE PRODUCTS OR ANY PART THEREOF, OR FOR ANY CHARGES OR EXPENSES OF ANY NATURE INCURRED WITHOUT SELLER'S WRITTEN CONSENT, EVEN IF SELLER HAS BEEN NEGLIGENT, WHETHER IN CONTRACT, TORT OR OTHER LEGAL THEORY. IN NO EVENT SHALL SELLER'S LIABILITY UNDER ANY CLAIM MADE BY BUYER EXCEED THE PURCHASE PRICE OF THE PRODUCTS.

7. Contingencies. Seller shall not be liable for any default or delay in performance if caused by circumstances beyond the reasonable control of Seller.

8. User Responsibility. The user, through its own analysis and testing, is solely responsible for making the final selection of the system and Product and assuring that all performance, endurance, maintenance, safety and warning requirements of the application are met. The user must analyze all aspects of the application and follow applicable industry standards and Product information. If Seller provides Product or system options, the user is responsible for determining that such data and specifications are suitable and sufficient for all applications and reasonably foreseeable uses of the Products or systems.

9. Loss to Buyer's Property. Any designs, tools, patterns, materials, drawings, confidential information or equipment furnished by Buyer or any other items which become Buyer's property, may be considered obsolete and may be destroyed by Seller after two consecutive years have elapsed without Buyer placing an order for the items which are manufactured using such property. Seller shall not be responsible for any loss or damage to such property while it is in Seller's possession or control.

10. Special Tooling. A tooling charge may be imposed for any special tooling, including without limitation, dies, fixtures, molds and patterns, acquired to manufacture Products. Such special tooling shall be and remain Seller's property notwithstanding payment of any charges by Buyer. In no event will Buyer acquire any interest in apparatus belonging to Seller which is utilized in the manufacture of the Products, even if such apparatus has been specially converted or adapted for such manufacture and notwithstanding any charges paid by Buyer. Unless otherwise agreed, Seller shall have the right to alter, discard or otherwise dispose of any special tooling or other property in its sole discretion at any time.

11. Buyer's Obligation; Rights of Seller. To secure payment of all sums due or otherwise, Seller shall retain a security interest in the goods delivered and this agreement shall be deemed a Security Agreement under the Uniform Commercial Code. Buyer authorizes Seller as its attorney to execute and file on Buyer's behalf all documents Seller deems necessary to perfect its security interest. Seller shall have a security interest in, and lien upon, any property of Buyer in Seller's possession as security for the payment of any amounts owed to Seller by Buyer.

12. Improper Use and Indemnity. Buyer shall indemnify, defend, and hold Seller harmless from any claim, liability, damages, lawsuits, and costs (including attorney fees), whether for personal injury, property damage, patent, trademark or copyright infringement or any other claim, brought by or incurred by Buyer, Buyer's employees, or any other person, arising out of: (a) improper selection, improper application or other misuse of Products purchased by Buyer from Seller; (b) any act or omission, negligent or otherwise, of Buyer; (c) Seller's use of patterns, plans, drawings, or specifications furnished by Buyer to manufacture Product; or (d) Buyer's failure to comply with these terms and conditions. Seller shall not indemnify Buyer under any circumstance except as otherwise provided.

13. Cancellations and Changes. Orders shall not be subject to cancellation or change by Buyer for any reason, except with Seller's written consent and upon terms that will indemnify, defend and hold Seller harmless against all direct, incidental and consequential loss or damage. Seller may change product features, specifications, designs and availability with notice to Buyer.

14. Limitation on Assignment. Buyer may not assign its rights or obligations under this agreement without the prior written consent of Seller.

15. Entire Agreement. This agreement contains the entire agreement between the Buyer and Seller and constitutes the final, complete and exclusive expression of the terms of the agreement. All prior or contemporaneous written or oral agreements or negotiations with respect to the subject matter are herein merged.

16. Waiver and Severability. Failure to enforce any provision of this agreement will not waive that provision nor will any such failure prejudice Seller's right to enforce that provision in the future. Invalidation of any provision of this agreement by legislation or other rule of law shall not invalidate any other provision herein. The remaining provisions of this agreement will remain in full force and effect.

17. Termination. This agreement may be terminated by Seller for any reason and at any time by giving Buyer thirty (30) days written notice of termination. In addition, Seller may by written notice immediately terminate this agreement for the following: (a) Buyer commits a breach of any provision of this agreement (b) the appointment of a trustee, receiver or custodian for all or any part of Buyer's property (c) the filing of a petition for relief in bankruptcy of the other Party on its own behalf, or by a third party (d) an assignment for the benefit of creditors, or (e) the dissolution or liquidation of the Buyer.

18. Governing Law. This agreement and the sale and delivery of all Products hereunder shall be deemed to have taken place in and shall be governed and construed in accordance with the laws of the State of Ohio, as applicable to contracts executed and wholly performed therein and without regard to conflicts of laws principles. Buyer irrevocably agrees and consents to the exclusive jurisdiction and venue of the courts of Cuyahoga County, Ohio with respect to any dispute, controversy or claim arising out of or relating to this agreement. Disputes between the parties shall not be settled by arbitration unless, after a dispute has arisen, both parties expressly agree in writing to arbitrate the dispute.

19. Indemnity for Infringement of Intellectual Property Rights. Seller shall have no liability for infringement of any patents, trademarks, copyrights, trade dress, trade secrets or similar rights except as provided in this Section. Seller will defend and indemnify Buyer against allegations of infringement of U.S. patents, U.S. trademarks, copyrights, trade dress and trade secrets ("Intellectual Property Rights"). Seller will defend at its expense and will pay the cost of any settlement or damages awarded in an action brought against Buyer based on an allegation that a Product sold pursuant to this Agreement infringes the Intellectual Property Rights of a third party. Seller's obligation to defend and indemnify Buyer is contingent on Buyer notifying Seller within ten (10) days after Buyer becomes aware of such allegations of infringement, and Seller having sole control over the defense of any allegations or actions including all negotiations for settlement or compromise. If a Product is subject to a claim that it infringes the Intellectual Property Rights of a third party, Seller may, at its sole expense and option, procure for Buyer the right to continue using the Product, replace or modify the Product so as to make it noninfringing, or offer to accept return of the Product and return the purchase price less a reasonable allowance for depreciation. Notwithstanding the foregoing, Seller shall have no liability for claims of infringement based on information provided by Buyer, or directed to Products delivered hereunder for which the designs are specified in whole or part by Buyer, or infringements resulting from the modification, combination or use in a system of any Product sold hereunder. The foregoing provisions of this Section shall constitute Seller's sole and exclusive liability and Buyer's sole and exclusive remedy for infringement of Intellectual Property Rights.

20. Taxes. Unless otherwise indicated, all prices and charges are exclusive of excise, sales, use, property, occupational or like taxes which may be imposed by any taxing authority upon the manufacture, sale or delivery of Products.

21. Equal Opportunity Clause. For the performance of government contracts and where dollar value of the Products exceed \$10,000, the equal employment opportunity clauses in Executive Order 11246, VEVRAA, and 41 C.F.R. §§ 60-1.4(a), 60-741.5(a), and 60-250.4, are hereby incorporated.



Parker Hannifin Corporation
Industrial Cylinder Division
500 South Wolf Road
Des Plaines, IL 60016 USA
phone (847) 298-2400
fax (800) 892-1008
www.parker.com/cylinder

Parker Hannifin Corporation
Motion and Control Division
160 Chisholm Drive
Milton, ON Canada L9T 3G9
direct (905) 693-3000
fax (905) 876-1958
www.parker.com