



# Pressure Gauge Accessories

## Instrument Grade Block & Bleed Needle Valves

Type 910.11.200

### Accessories, Mechanical

---

#### Application

Intended to isolate the pressure gauge from the measured fluid or to provide a means of throttling or dampening pressure pulsation. Allows pressure to be bled-off prior to instrument removal or replacement.

#### Pressure Rating

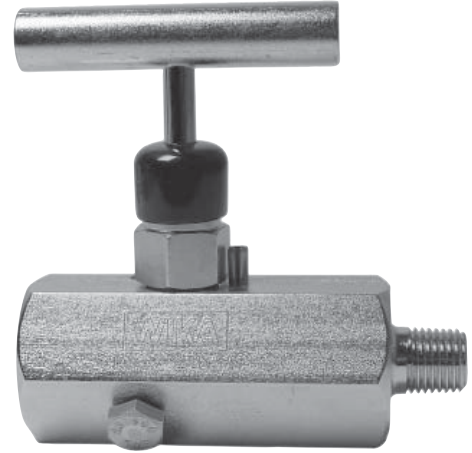
Hard seat models 10,000 psi @ 200°F  
Soft seat models 6,000 psi @ 200°F

#### Operating Temperature

Media: max. 200°F (+93°C)  
min. 0°F (-18°C)

#### Flow Rate

Hard seat models Max.  $C_v$  .44  
Soft seat models Max.  $C_v$  .76



### Standard Features

#### Valve Body

12L14 carbon steel, nickel plated, or 316 stainless steel, electro-polished

#### Bonnet

12L14 carbon steel or 316 stainless steel

#### Valve Stem

316 stainless steel (hard chromed on hard seat models)

#### Handle

12L14 carbon steel or 316 stainless steel

#### Handle Bolt

12L14 carbon steel or 18-8 stainless steel

#### Stem Seals

Viton o-ring with PTFE back-up ring

#### Stem Seal Lock (soft seat model)

12L14 carbon steel or 316 stainless steel

#### Stem Seat (soft seat model)

Delrin

#### Orifice Size

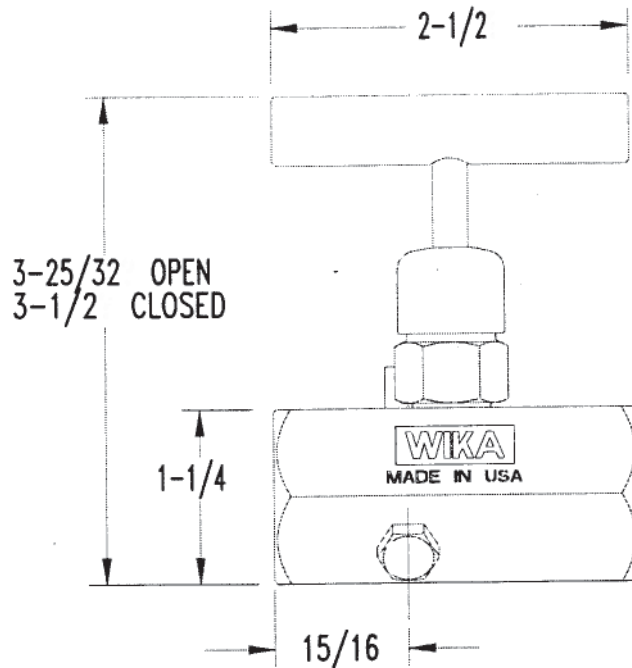
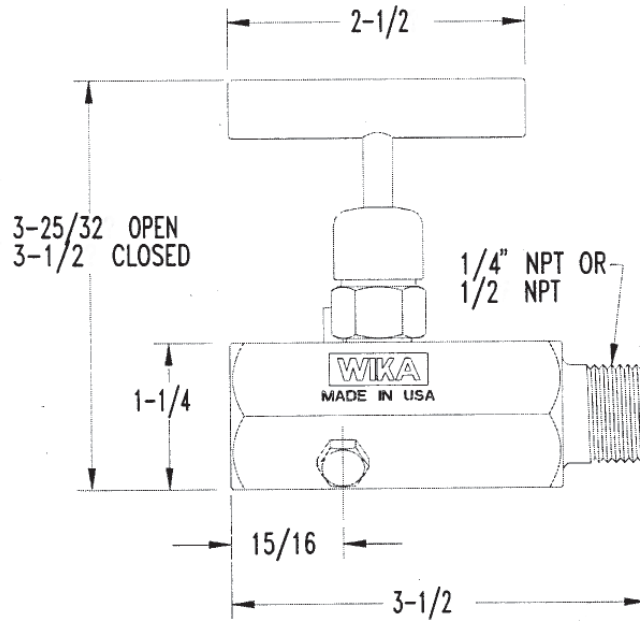
0.187 inches (4.75 mm)

#### Order Options

Panel mounting bracket

**AAM 910.11.200**  
(AAM 09.02)

WIKA Type  
910.11.200  
Hard & Soft Seat



THE MEASURE OF  
**Total Performance™**

**Ordering Information:**

State computer part number (if available) / model number / size / range / connection size and location / options required.

Specifications given in this price list represent the state of engineering at the time of printing. Modifications may take place and the specified materials may change without prior notice



**WIKA Instrument Corporation**  
1000 Wiegand Boulevard  
Lawrenceville, Georgia 30043-5868  
Tel: 770-513-8200 Fax: 770-338-5118  
<http://www.wika.com> e-mail: [info@wika.com](mailto:info@wika.com)