

SR-12iA



Max. load capacity
at wrist: 12 kg



Max. reach:
900 mm

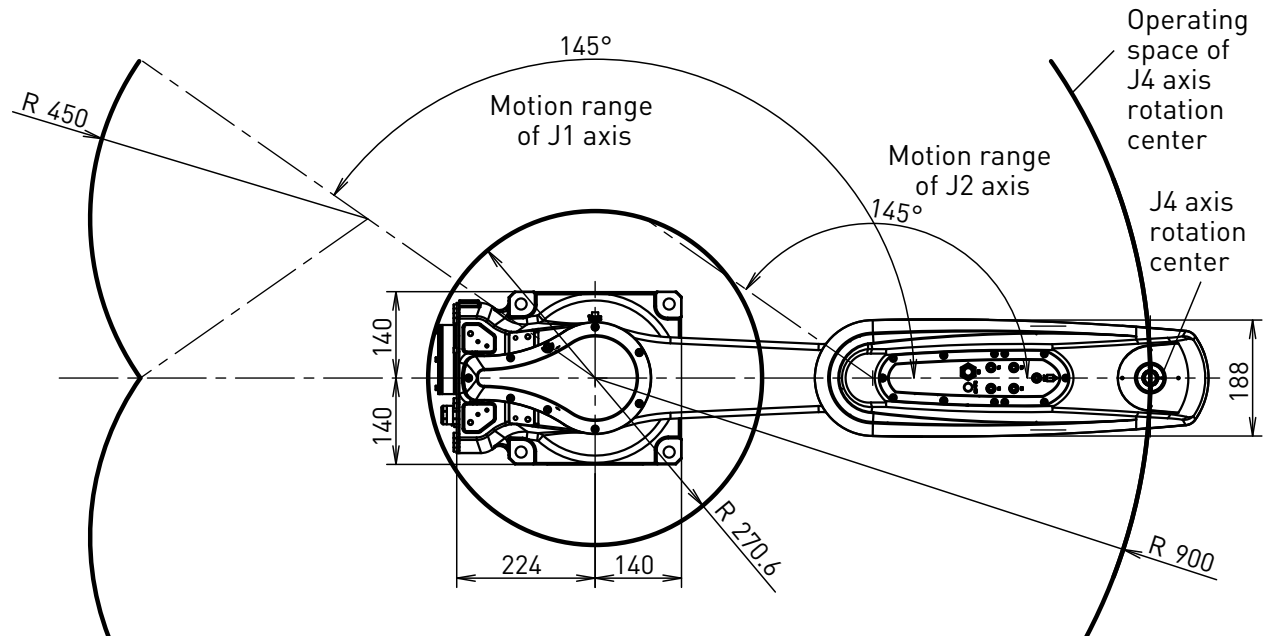
FANUC

Robot			Max. load capacity at wrist (kg)	Reach (mm)	Controlled axes	Repeatability (mm)	Mechanical weight (kg)	Motion range [°]						Maximum speed [°/s]						J4 Moment/Inertia	J5 Moment/Inertia	J6 Moment/Inertia	Average Power consumption (kW)	Protection	
Series	Version	Type						J1	J2	J3	J4	J5	J6	J1	J2	J3	J4	J5	J6					Body standard/optional	Wrist & J3 arm standard/optional
SR	iA	12	12	900	4	±0.015 [J1, 2] ±0.01 [J3] ±0.005° [J4]	53	±145	±145	300 mm* (450 option)	±720	-	-	440	510	2800 mm/s	2500	-	-	--/0.3**	'	'	NA	IP20***	IP20***

- not available * z axis **kgm² ***IP65 option

SR-12iA

4-axis



SR-12iA