

Bourdon Tube Pressure Gauge Type 111.11RF Refrigeration Gauge Standard Series

Datasheet 111.11RF

Application

- Refrigeration test manifolds
- Compressed air systems
- Suitable for fluid medium which does not clog connection port or corrode copper alloy

Product Features

- Durable red or blue ABS case
- Zero-adjustment screw on dial
- Silicone dampened movement

Specifications

Design

ASME B40.100

Sizes

2½" (68 mm)

Accuracy Class

± 1/2/5% of span
1% at zero pressure
2% in the first 75% of the scale
5% in the last 25% of the scale

Ranges

-30 InHg / 120 psi, retard to 350 psi / 0 / 500 psi
Additional Ranges / Consult Factory

Working Pressure

Steady:	3/4 of full scale value
Fluctuating:	2/3 of full scale value
Short Time:	full scale value

Operating Temperature

Ambient:	-40°F to 140°F (-40°C to 65°C)
Media:	140°F (+65°C) maximum

Temperature Error

Additional error when temperature changes from reference temperature of 68°F (20°C) ±0.4% of span for every 18°F (10°K) rising or falling.



Bourdon Tube Pressure Gauge Type 111.11RF

Pressure Connection

Material: Copper alloy
Lower Mount (LM) 1/8" or 1/4" NPT

Bourdon Tube

Material: Copper alloy
15 psi to 800 psi: C-shape

Movement

Copper alloy, silicone dampened

Dial

White aluminum with stop pin and black lettering.
Zero-adjustment screw on dial

Pointer

Black aluminum

Case

Red or Blue ABS

Window

Twist-lock clear polycarbonate

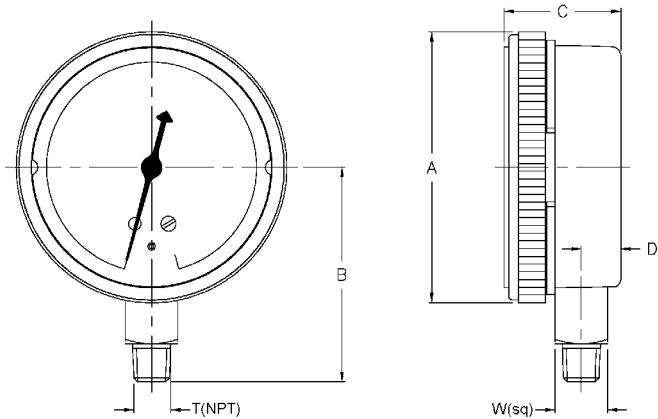
Restrictor

Brass restrictor press - 0.5mm

Optional Extras

- Black ABS Case
- Refrigeration scales
- Other pressure scales available: Bar, kPa, MPa, kg/cm² and dual scales
- Red and blue steel case

Dimensions



Size

		A	B	C	D	T	W	
1.5"	mm	72.4	57	31	10.6		14	
	in	2.85	2.24	1.22	0.42	1/8"	0.55	0.25 lb.

Specifications and dimensions provided in this data sheet represent the state of engineering at the time of printing. Modifications may take place and materials specified may be replaced by others without prior notice.



WIKAI Instrument Corporation
 1000 Weigand Boulevard
 Lawrenceville, Georgia 30043-5868
 Tel: 770-513-8200 Fax: 770-338-5118
 wika.com e-mail: info@wika.com