

# Bourdon Tube Pressure Gauge Type 111.25CT Contractor Gauge Standard Series

WIKA Datasheet 111.25CT

## Applications

- HVAC & plumbing contractors
- Suitable for all media that will not obstruct the pressure system or attack copper alloy parts

## Product Features

- Stainless steel case
- $\pm 1\%$  accuracy
- Reliable and economical



Bourdon Tube Pressure Gauge Type 111.25CT

## Specifications

### Design

ASME B40.100

### Sizes

4½" (115 mm)

### Accuracy class

$\pm 1\%$  of span (ASME B40.100 Grade 1A)

### Ranges

Vacuum / Compound to 200 psi (16 bar)

Pressure from 15 psi (1 bar) to 600 psi (40 bar)  
or other equivalent units of pressure or vacuum

### Working pressure

Steady:  $\frac{3}{4}$  of full-scale value

Fluctuating:  $\frac{2}{3}$  of full-scale value

Short time: full-scale value

### Operating temperature

Ambient: -40°F to 140°F (-40°C to 60°C)

Media: 140°F (+60°C) maximum

### Temperature error

Additional error when temperature changes from reference temperature of 68°F (20°C)  $\pm 0.4\%$  of span for every 18°F (10°K) rising or falling.

### Pressure connection

Material: Copper alloy

¼" NPT lower mount (LM)

### Bourdon tube

Material: copper alloy

C-shape

### Movement

Copper alloy

### Dial

White aluminum with stop pin and black lettering

### Pointer

Black aluminum

### Case

Stainless steel, matte finish

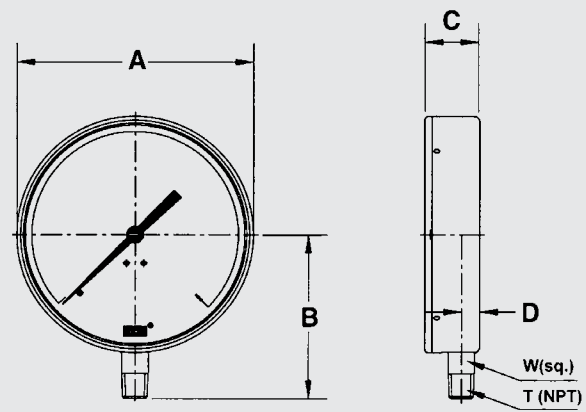
### Window

Snap-in polycarbonate

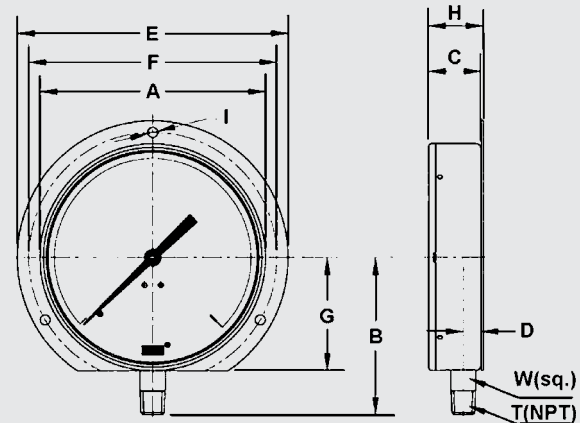
## Optional Extras

- Stainless steel rear flange
- Brass restrictor
- Nickel-plated connection
- Custom dial layout
- Other pressure scales available:  
bar, kPa, MPa, kg/cm<sup>2</sup> and dual scales

## Dimensions



111.25CT 4.5" LM



111.25CT 4.5" LM / RF

Size		A	B	C	D	E	F	G	H	I	T	W	Weight
4.5"	mm	124	86	29.2	9.8	149	137	62	30.5	5.6		14	
	in	4.88	3.38	1.15	0.39	5.87	5.37	2.44	1.20	0.22	1/4"	0.55	0.80 lb.

### Ordering information

Pressure gauge model / Nominal size / Scale range / Size of connection / Optional extras required  
 Specifications and dimensions given in this leaflet represent the state of engineering at the time of printing.  
 Modifications may take place and materials specified may be replaced by others without prior notice.



**WIKA Instrument Corporation**  
 1000 Wiegand Boulevard  
 Lawrenceville, GA 30043-5868  
 Tel: 888-WIKA-USA • 770-513-8200  
 Fax: 770-338-5118  
 E-Mail: info@wika.com  
 www.wika.com