

Bourdon Tube Pressure Gauge Type 113.13 - ABS Case with Liquid Filling Standard Series

WIKA Datasheet 113.13

Applications

- Intended for severe service conditions where pulsation or vibration exist
- Suitable for all gaseous and liquid media that will not obstruct the pressure system or attack copper alloy parts
- Hydraulic systems and compressors

Product features

- Vibration and shock resistant
- Ranges up to 6,000 psi
- Reliable and economical

Specifications

Design

EN 837-1 & ASME B40.100

Sizes

1½", 2" & 2½" (40, 50 & 63 mm)

Accuracy class

± 3/2/3% of span (ASME B40.100 Grade B)

Ranges (All ranges not stocked)

Vacuum / Compound to 200 psi (16 bar)

Pressure from 15 psi (1 bar) to 6,000 psi (400 bar)

Working pressure

Steady: 3/4 of full scale value

Fluctuating: 2/3 of full scale value

Short time: full scale value

Operating temperature

Ambient: -4°F to 140°F (-20°C to 60°C)

Media: 140°F (+60°C) maximum

Temperature error

Additional error when temperature changes from reference temperature of 68°F (20°C) ±0.4% of span for every 18°F (10°K) rising or falling.

Weather protection

Weather tight (IP 66), NEMA 4X



Bourdon Tube Pressure Gauge Type 113.13

Pressure connection

Material: copper alloy

1/8" or 1/4" NPT (1/4" not available in 1½" case size)

Lower mount (LM) or center back mount (CBM)

(1½" size only available with CBM connection)

Bourdon tube

Material: copper alloy

≤ 870 psi (60 bar): C-shape

> 870 psi (60 bar): Helical

Movement

Copper Alloy

Dial

White ABS with stop pin and black lettering

Pointer

Black ABS

Case

1½": black ABS

2" & 2½": black ABS with integral profile ring

O-ring seal between case and socket

Window

Acrylic, ultrasonically welded to case

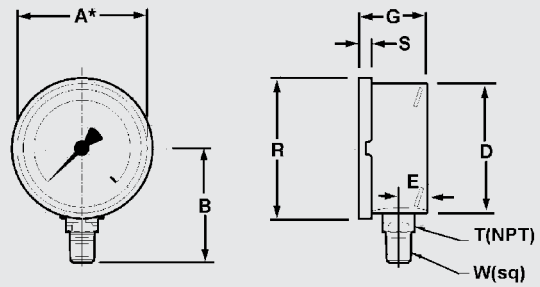
Case fill

Glycerine 99.7%

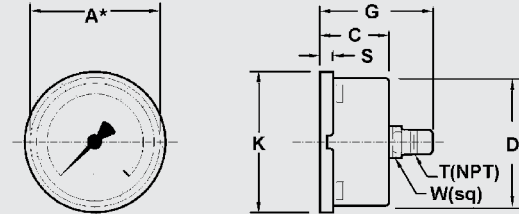
Optional Extras

- Front flange
- U-clamp bracket (CBM only)
- Brass restrictor
- Special threaded connection
- Custom dial layout
- Other pressure scales available:
bar, kPa, MPa, kg/cm² and dual scales

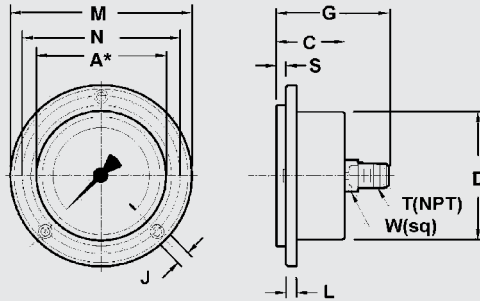
Dimensions



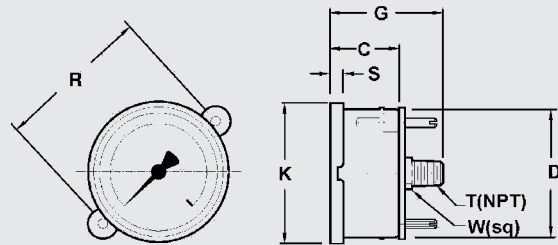
113.13 LM



113.13 CBM



113.13 CBM/FF



113.13 CBM/UC

Size		A	B	C	D	E	G	J	K	L	M	N	R	S	T	W	Weight ¹
1.5"	mm	40	-	26.5	41	-	42.5	-	-	-	-	-	-	-	-	12	
	in	1.5	-	1.04	1.61	-	1.67	-	-	-	-	-	-	-	1/8"	0.47	0.30 lb.
2"	mm	50	48	29	51	11.5	48.5	3.6	55	4	71	62	58	6	14		
	in	2.0	1.89	1.14	2.01	0.45	1.91	0.14	2.17	0.16	2.80	2.44	2.28	0.23	1/4"	0.55	0.40 lb.
2.5"	mm	63	54	29	63	11.5	54	3.6	68	4	85	75	72	6	14		
	in	2.5	2.13	1.14	2.48	0.45	2.12	0.14	2.68	0.16	3.35	2.95	2.83	0.23	1/4"	0.55	0.50 lb.

¹ Weight without optional accessories

Ordering information

Pressure gauge model / Nominal size / Scale range / Size of connection / Optional extras required
 Specifications and dimensions given in this leaflet represent the state of engineering at the time of printing.
 Modifications may take place and materials specified may be replaced by others without prior notice.



WIKAI Instrument Corporation

1000 Wiegand Boulevard
 Lawrenceville, GA 30043
 Tel (770) 513-8200 Toll-free 1-888-WIKA-USA
 Fax (770) 338-5118
 E-Mail info@wika.com
 www.wika.com