

# Bourdon Tube Pressure Gauges Stainless Steel Case / Liquid-Filled Type 113.53

WIKA Data Sheet APM 113.53

## Applications

- Liquid filled case for applications with high dynamic pressure pulsations or vibration.
- Suitable for corrosive environments and gaseous or liquid media that will not obstruct the pressure system.

## Special features

- Stainless steel case
- Copper alloy wetted parts
- Liquid-filled case
- Compound pressure ranges to 200 PSI
- Positive pressure ranges to 5000 PSI

## Description

### Design

EN 837-1

### Nominal Size

1.5" (40 mm)

### Accuracy class

± 2.5% of span

### Scale Ranges

0/30 to 0/5000 PSI

or other equivalent units of pressure or vacuum

### Working Pressure

Steady: 3/4 of full scale value

Fluctuating: 2/3 of full scale value

Short time: full scale value

### Operating Temperature

Ambient: -4°F to +140°F (-20°C to +60°C)

Medium: +140°F (+60°C)



Bourdon Tube Pressure Gauge Model 113.53

### Temperature effect

When temperature of the pressure element deviates from reference temperature (+70°F / +20°C):

max. ±0.4%/18°F

### Weather protection

IP 65 per EN 60 529 / IEC 529

## Standard features

### Pressure connection

Material: copper alloy  
 Lower mount (LM) or center back mount (CBM)  
 1/8" NPT (male), 14 mm wrench flats

### Pressure element

Material: copper alloy  
 < 1000 PSI: C-type  
 ≥ 1000 PSI: helical type

### Movement

Copper alloy

### Dial

White aluminum

### Pointer

Black aluminum

### Case

Natural finish stainless steel, with pressure relief in top of case

### Window

Acrylic

### Crimp ring

Natural finish stainless steel

### Case filling

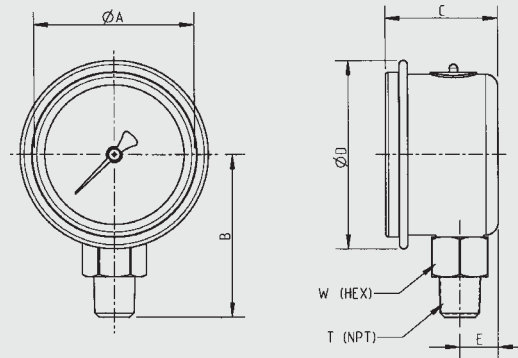
Glycerine 99.7%

## Optional extras

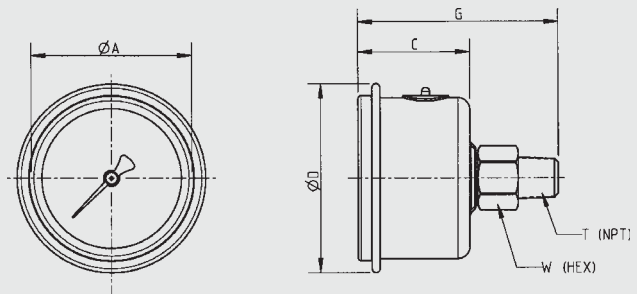
- Other pressure connection
- U-clamp assembly for panel mounting (CBM only)
- Restrictor in connection
- Alternate case fill liquids

## Dimensions

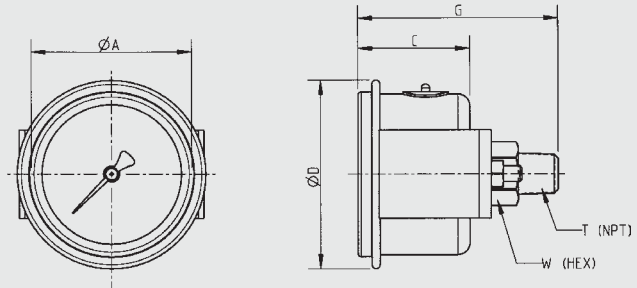
### Lower mount (LM) connection



### Center back mount (CBM) connection



### Center back mount (CBM) connection with u-clamp



Size		$\phi A$	B	C	D	E	G	T	W
1.5"	mm	40	40.5	28	47	9.5	50		14
	in	1.5	1.59	1.10	1.85	0.37	1.97	1/8"	0.55

### Ordering information

Pressure gauge model / Nominal size / Scale range / Size of connection / Optional extras required  
 Specifications and dimensions given in this leaflet represent the state of engineering at the time of printing.  
 Modifications may take place and materials specified may be replaced by others without prior notice.

### WIKA Instrument Corporation

1000 Wiegand Boulevard  
 Lawrenceville, GA 30045  
 Tel (770) 513-8200 Toll-free 1-888-WIKA-USA  
 Fax (770) 338-5118  
 E-Mail info@wika.com  
 www.wika.com