

# Bourdon Tube Pressure Gauges Industrial Series Gauge Type 212.20

WIKA Datasheet 212.20

## Applications

- Sturdy industrial pressure gauges designed in compliance with operational safety requirements of EN 837-1 and ASME B40.100
- Reliable pressure gauge for machine and plant construction industry
- Suitable for gaseous or liquid media that will not obstruct the pressure system or corrode
- copper alloy wetted parts

## Product features

- Long service life, robust
- Cost effective and reliable
- Pressure ranges up to 15,000 psi (100 bar)

## Specifications

### Design

ASME B40.100 & EN 837-1

### Sizes

4" (100 mm), 6" (160 mm)

### Accuracy class

± 1% of span (ASME B40.100 Grade 1A)

### Ranges

Vacuum / Compound to 200 psi (16 bar)  
Pressure from 15 psi (1 bar) to 15,000 psi (1000 bar)  
or other equivalent units of pressure or vacuum

### Working pressure

Steady: full scale value  
Fluctuating: 0.9 x full scale value  
Short time: 1.3 x full scale value

### Operating temperature

Ambient: -40°F to +140°F (-40°C to +60°C)  
Medium: +140°F (+60°C) maximum

### Temperature error

Additional error when temperature changes from reference temperature of 68°F (20°C) ±0.4% of span for every 18°F (10°K) rising or falling.



Bourdon Tube Pressure Gauge Model 212.20

### Weather protection

Weather resistant (NEMA 3 / IP 54)

### Pressure connection

Material: copper alloy  
Lower mount (LM) or lower back mount (LBM)  
1/2" NPT

### Bourdon tube

Material: copper alloy  
≤ 1000 psi (70 bar): C-shape copper alloy  
> 1000 psi (70 bar): Helical 316L stainless steel

### Movement

Brass

### Dial

White aluminum with black lettering

### Pointer

Black aluminum

### Case

304 stainless steel with stainless steel bayonet ring

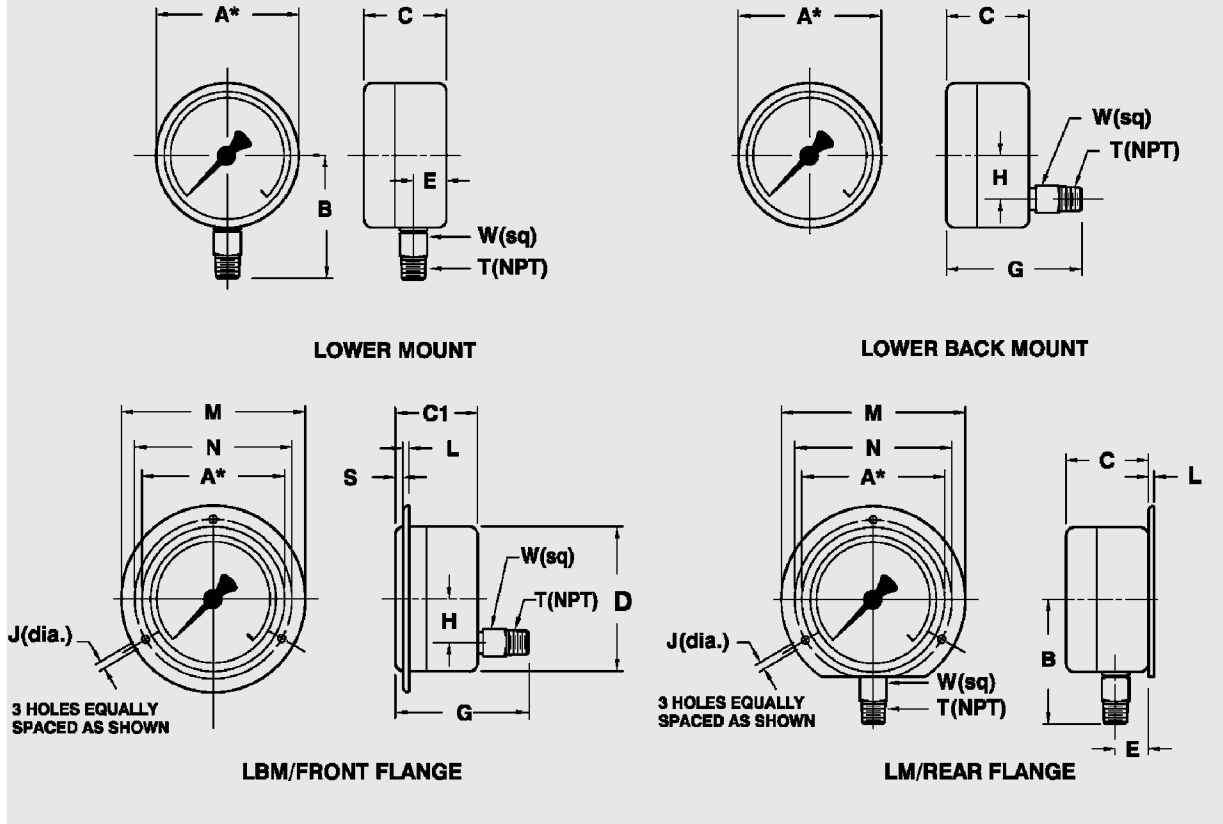
### Window

Flat instrument glass

### Optional extras

- Brass restrictor
- Stainless steel front or rear flange
- Liquid filled case: No (use Model 233.50)
- U-clamp panel mounting
- Integral alarm contacts
- Extended media temperature to +392°F (+200°C)
- Special connections limited to wrench flat area
- Custom dial layout
- Other pressure scales available
  - bar, kPa, MPa, kg/cm<sup>2</sup> and dual scales

### Dimensions



Size		A	B	C <sup>1</sup>	D	E	G	H	J	L	M	N	S	T	W	Weight
4"	mm	100	85	49.5	99	15.5	81	30	4.8	3	132	116	5		22	
	in	4.0	3.35	1.95	3.90	0.61	3.19	1.18	0.19	0.12	5.2	4.57	0.20	1/2"	0.86	1.32 lb.
6"	mm	161	116	49.5	159	15.5	81	50	5.8	3	196	178	5		22	
	in	6.34	4.57	1.95	6.26	0.61	3.19	1.97	0.23	0.12	7.72	7.0	0.20	1/2"	0.86	2.42 lb.

<sup>1</sup> For LM range 20,000 psi and LBM ranges above 1,000 psi, C dimension changes to 66.5 mm / 2.58"

Recommended panel cutout is dimension D + 1.5 mm

