

Duplex Pressure Gauges with Bourdon Tube, Parallel Entry Model 712.25DX, Measuring System Cu-alloy

WIKA Data Sheet 712.25DX

Applications

- Measurement of differential pressures or of two different pressures applied
- Heating, ventilation and air-conditioning
- For gaseous and liquid media that are not highly viscous or crystallising

Special Features

- Scale ranges from 0 ... 15 psi
- Aluminum case with integrated surface mounting flange.



Duplex Pressure Gauge Model 712.25DX

Description

Design

2 independent measuring systems
(parallel next to each other)

Nominal size

4½ & 6

Accuracy

+/- 2/1/2% of full span per ASME B40.100 Grade A

Pressure ranges

0 ... 15psi to 0 ... 1000 psi

Pressure limitation

Steady: full scale value

Fluctuating: 0.9 x full scale value

Short time: 1.3 x full scale value

Operating temperature

Ambient: (-20 ... +60 °C) -4°F... 140°F

Media: 140°F

Temperature effect

Additional error when temperature deviates from reference temperature of 68°F (20°C): +/- 0.4% of span for every 18°F (10°C) rising or falling.

Ingress protection

Dust resistant NEMA2 (IP 33 per EN 60 529 / IEC 529)

Standard features

Process connection

Copper alloy
2 x 1/4" NPT male
plus-connection right, minus-connection left
(with + and - identified on dial)

Bourdon tube elements

C-type, copper alloy

Movement

Copper alloy

Dial

Aluminium, white, lettering black

Pointer

Top pointer aluminum black,
bottom pointer aluminum red

Operating principle

The left connector (marked + on the dial) operates the black pointer on top. The right connector (marked minus - on the dial) operates the bottom red pointer.

Case

Black cast aluminum with integrated surface mounting flange

Window

Instrument glass

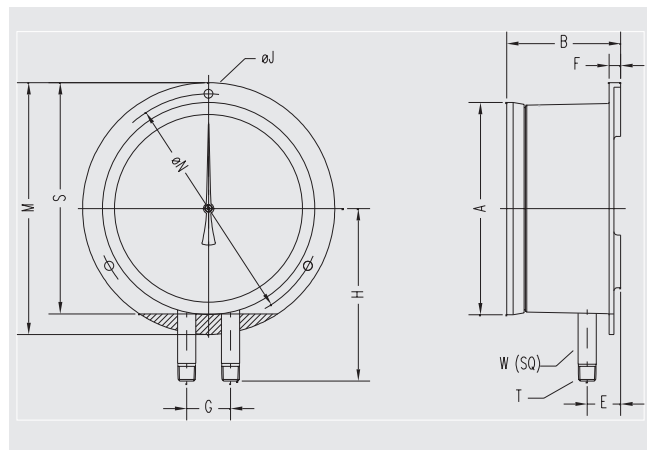
Bezel ring

Threaded, aluminum black

Options

- Differential Pressure Gauge (Model 712.25DP)
- Brass restrictor
- Custom dial layout
- Other pressure scales available (bar, kPa, kg/cm² & dual scales)

Dimensions



TYPE	WEIGHT	KEY	A	D	E	G	H	J	M	N	S
712.25DX 4.5"	3 lbs.	in	4.93	4.19	0.86	1.50	3.78	0.22	5.81	5.38	5.34
		mm	125.2	106.4	22	38	96	6	147.6	137	135.6
712.25DX 6"	4 lbs.	in	6.41	5.67	0.94	1.65	4.33	0.28	7.69	7	--
		mm	162.8	144	24	42	110	7	195	178	--

Process connection per EN 837-1 / 7.3

Modifications may take place and materials specified may be replaced by others without prior notice.
Specifications and dimensions given in this leaflet represent the state of engineering at the time of printing.



WIKAI Instrument, LP
1000 Wiegand Boulevard
Lawrenceville, GA 30043-5868
Tel: 888-WIKA-USA • 770-513-8200
Fax: 770-338-5118
E-Mail: info@wika.com
www.wika.com