

Overpressure Protector Type 910.13

WIKA Datasheet 910.13

Applications

- Adjustable overpressure protectors are intended to protect pressure gauges against the effect of pressures exceeding their maximum pressure rating
- Stainless steel version for corrosive pressure media, even in corrosive ambience
- Process industry: mechanical engineering and plant construction, chemical/petro-chemical, power stations, mining, on- and offshore, environmental technology

Special Features

- 7 different setting ranges selectable
- Minimum pressure to 6 psi (0.4 bar)
- Maximum pressure to 8700 psi (600 bar)
- Overpressure safe up to 14,500 psi (1000 bar)
- Vacuum safe

Description

The overpressure protector consists of a spring loaded piston valve. Under normal pressure conditions the spring holds the valve open. When the system pressure exceeds the set pressure, the force exerted by the spring is overcome and the valve closes. The valve will remain closed until the system pressure drops approximately 25% below the closing pressure, where-upon the force of the spring will open the valve.

To change pressure setting:

Turn adjusting screw clockwise ⇒ closing pressure higher

Turn adjusting screw counter clockwise ⇒ closing pressure lower.

*Overpressure protectors must not be used as process control devices.

*Before/after adjusting, the set screw (lock screw) has to be opened/closed.



Overpressure protector - male inlet, female outlet

Standard Features

Pressure Connection

1/2" NPT male inlet, female outlet

1/2" NPT to 1/4" NPT adaptors available

Body

316Ti SS

Piston Valve

316Ti SS

O-Ring

FPM (Viton)

Operating Temperature (Media)

176 °F (80 °C maximum)

Optional Extras (by special order)

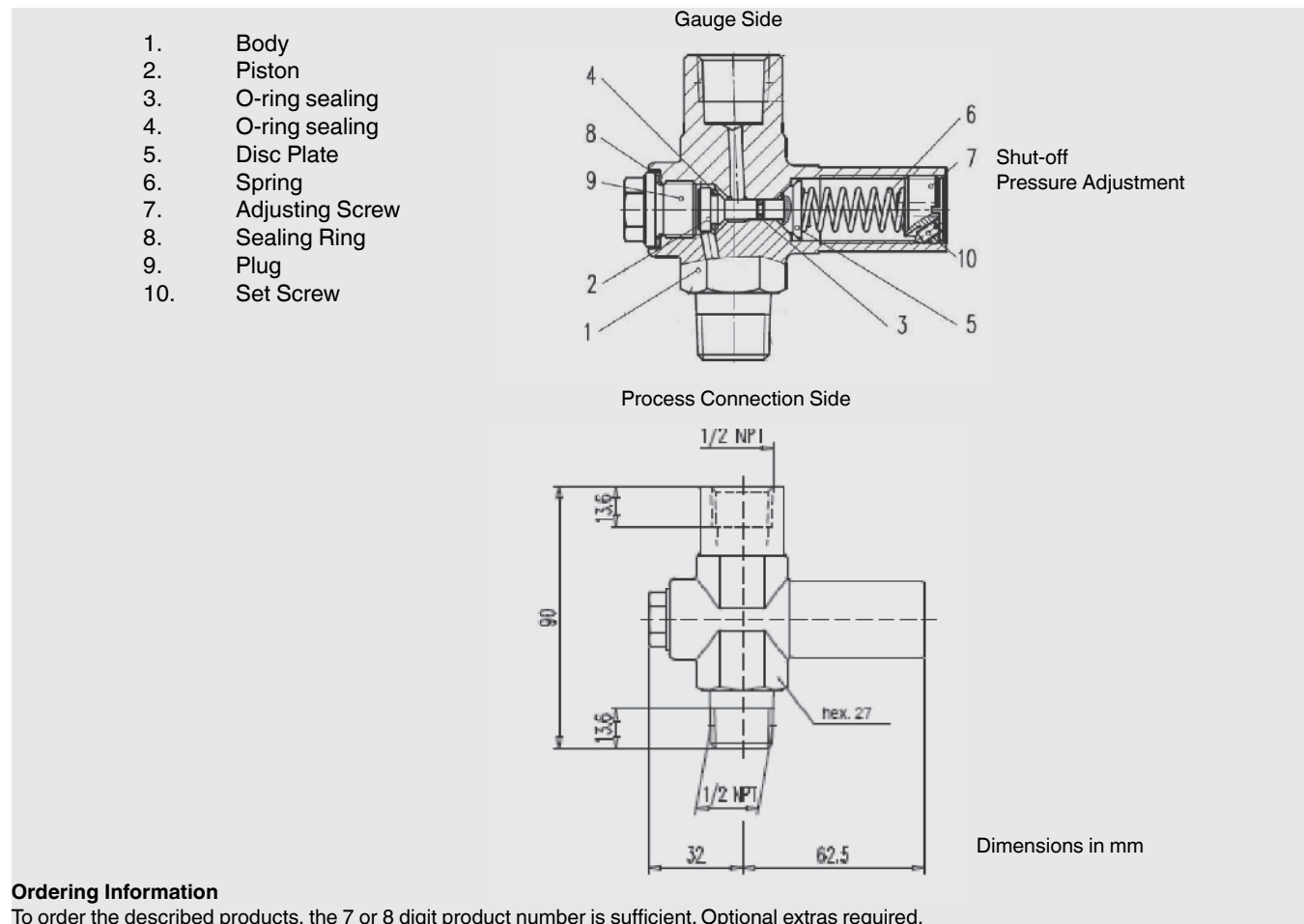
- Other thread connections: 1/4" NPT, G1/4B and G1/2B
- Other materials: Brass, Monel® 400
- Material Certificate (3.1 acc. to EN 10 204)
- Nace Certificate (2.2 acc. to EN 10 204)
- Oxygen service (oil and grease free)
- Mounted on pressure gauge with customer specifications, includes SS tag (note 2)
- Overpressure protector set to customer specifications, includes SS tag (note 2)

Selectable versions

Range (bar)	0.4 to 2.5	2 to 6	5 to 25	20 to 60	50 to 250	240 to 400	400 to 600
Range (psi)	6 to 35	30 to 85	85 to 365	290 to 870	725 to 3625	3500 to 5800	5800 to 8700
Standard Part Number ¹	9091963	9091971	9091980	0690600	0690619	1615130	50311115
Factory Set Part Number ²	50681222	50681231	50681249	50681257	50681265	50681273	50681281

Note 1: Standard items do not come pre-set from factory.

Note 2: Items come pre-set from factory. Customer must specify set or closing pressure. Choose factory set part numbers for pressure gauge mounting and/or factory pre-set.



Ordering Information

To order the described products, the 7 or 8 digit product number is sufficient. Optional extras required.

