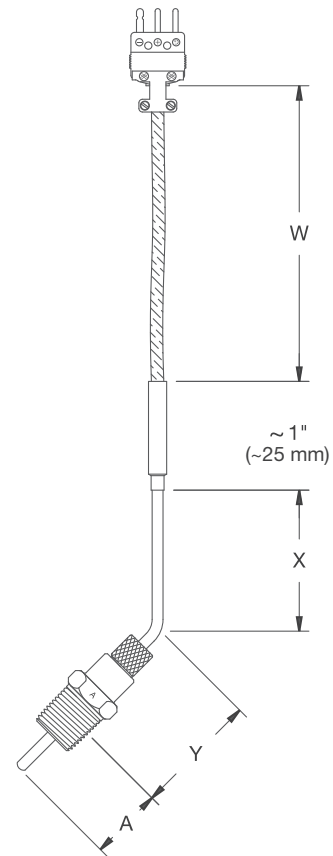


# TR40 Industrial RTD Sensor



## TR40 Industrial RTD Sensor

TR40 series resistance temperature detectors (RTDs) are custom industrial sensors designed to suit applications that require accurate, precise and repeatable temperature measurement. An extensive range of elements, terminations, and process connections can be individually selected for the appropriate application. Fast-responding sensors are also available for situations requiring immediate process temperature measurement.



### Applications:

TR40 series sensors are suitable for all industrial and commercial applications including:

- Air-conditioning and refrigeration systems
- Automotive industries
- Chemical and petrochemical industries
- Electronics and semiconductor industries
- Engine cylinder heads and oil sumps
- Energy and power plant technology
- Machinery, plant and tank measurement
- Plastics and rubber industries
- Power and utilities
- Pulp and paper
- Turbines
- Water and wastewater treatment

# Resistance Temperature Detectors

## TR40 - Industrial RTD Sensor

Sensor Element:	Pt100, Pt1000, Pt10, Cu10, or Ni120
Measuring range:	-200 °C to +1000 °C (depending upon element)
Wiring configuration:	2, 3, and 4 wire (single or dual)
Classification tolerance:	<ul style="list-style-type: none"> <li>■ Class B to DIN EN 60751</li> <li>■ Class A to DIN EN 60751</li> <li>■ 1/3 of DIN Class B</li> <li>■ 1/10 of DIN Class B</li> <li>■ Less than class B</li> </ul>
Electrical approvals:	ATEX/IEC, NAMUR
Options:	<ul style="list-style-type: none"> <li>■ Lengths and diameters standard or customer specific</li> <li>■ Calibration - single point, multiple points, and to Callendar-Van Dusen coefficients</li> <li>■ Material traceability of the conductors, metal sheath and mineral insulation</li> <li>■ Selectable accuracy tolerance</li> <li>■ Special designs and materials</li> <li>■ Intrinsically safe version: ATEX, NAMUR (EEx-i)</li> <li>■ Non-sparking version: ATEX (EEx-n)</li> <li>■ Inline transition</li> <li>■ Retractable cord</li> <li>■ Strain relief spring</li> </ul>

## Features:

- The sensor can be mounted into a process with the use of a fixed fitting, compression fitting, union nut, swivel nut or a spring-loaded bushing.
- The sensor has electrical approvals for intrinsic safety, ingress protection and general purpose areas.
- Electrical authorities that have registered these approvals include ATEX/IEC and NAMUR.
- Sheath materials available include stainless steels, corrosion resistant and high temperature oxidation resistant alloys. For temperatures greater than 600°C it is advisable to utilize an Inconel 600 sheath in place of stainless steel.
- RTD diameters range from 0.125 inch to 0.250 inch and 2 mm to 8 mm.
- RTD temperature ranges are dependent on the RTD element sheath material, element accuracy and the tip construction:
  - General purpose, the temperature range is -200°C to 1000°C
  - Fast response copper tip, the temperature range is -200°C to 250°C
  - Tip sensitive thin film, the temperature range is -50°C to 1000°C
  - Fast response/tip sensitive copper tip, including the vibration proof construction the temperature range is -50°C to 250°C
- Terminations include stripped leads, 3-pin plugs, Tegam/Keithley plugs, spade lugs, or Lemosia plugs.
- Termination accessories include cord grip, braze adapter, cable or wire clamps, hex crimp adapters, or compression adapters.
- If required the metal sheath can be formed during manufacture or by the installer.
- Extension cable is available in a variety of insulation and jacket materials. These include interlocking flexible armour, braided stainless steel, fibreglass, PTFE (Teflon®), PVC and Silicon



Create your product part number by selecting the appropriate assembly items from each of the categories below. Enter the item code into the applicable box to generate the part number.

# TR40



1 2 3 4 5 6 7 8 9 10 11 12

Part Number	TR40-XXXXXXXX-XXX-XXXX-XXXXXXXXXXXXXXXXXXXX-XX
-------------	--

<b>1 Unit of measure</b>	
Code	
I	Imperial
M	Metric

<b>2 Electrical approval</b>	
A	EEx-i (ATEX) gas, acc. to directive 94/9/EC
B	EEx-i (ATEX) gas/dust, acc. to directive 94/9/EC
H	EEx-n (ATEX) acc. to directive 94/9/EC
D	EEx-i, confirmation NAMUR NE24
Z	Without

<b>3 Sensor design</b>	
0	Straight
4	45 degree bend
9	90 degree bend

<b>4 Fitting style</b>	
A	Fixed fitting, threaded hex bushing
B	Compression fitting with stainless steel ferrule
C	Compression fitting with Teflon® ferrule
D	Compression fitting, spring loaded, with stainless steel ferrule
I	Fixed fitting, double threaded hex bushing
L	Spring loaded bushing without oil seal
K	Spring loaded bushing with oil seal
G	Union nut
H	Swivel nut
Z	Without

<b>5 Thread size</b>	
K	1/2 NPT
J	3/4 NPT
N	1/4 NPT
X	3/8 NPT
W	1/8 NPT
F	G 1/2 B
C	G 3/4 B
R	G 1/4 B
D	G 1/8 B
P	M14 x 1.5
O	M18 x 1.5
Z	Without

<b>6 Fitting material</b>	
A	Stainless steel 316 (1.4401)
B	Stainless steel 316 Ti (1.4571)
Z	Without

<b>7 Sensor diameter</b>	
1	1/4 inch / 0.250 inch (6.35 mm)
4	3/16 inch / 0.188 inch (4.75 mm)
2	1/8 inch / 0.125 inch (3.17 mm)
J	1/4 inch / 0.250 inch (6.35 mm) reduced to 1/8 inch / 0.125 inch (3.17 mm)
3	0.215 inch (5.46 mm)
A	2.0 mm
B	3.0 mm
D	6.0 mm
E	8.0 mm

<b>8 Sheath material</b>	
P	Stainless steel 316 / 316 L (1.4401 / 1.4435)
O	Stainless steel 310 (1.4841)
J	Inconel® 600 (2.4816)
Q	Stainless steel 316 Ti (1.4571)

<b>9 Tip construction</b>	
C	General purpose
G	Tip sensitive (thin-film)
T	Fast response tip sensitive (copper tip)
F	Fast response (copper tip)
V	Vibration proof tip (max. 10 g force)

<b>10 Element</b>	
D	Pt100, class B
C	Pt100, class A
F	Pt100, 1/10 DIN of class B at 0°C
E	Pt10, class A
A	Cu10, class B
B	Ni120, class B
K	Pt1000, class B
J	Pt1000, class A
L	Pt100, accuracy less than class B
I	Pt100, 1/3 DIN of class B at 0 °C

<b>11 Wiring configuration</b>	
A	Single 2-wire
B	Single 3-wire
C	Single 4-wire
D	Single 4B-wire
E	Dual 2-wire
F	Dual 3-wire
G	Dual 4-wire
H	Dual 4B-wire

<b>12 Temperature range</b>	
K	-50...+250 °C
S	-50...+450 °C
M	-200...+250 °C
T	-200...+450 °C
H	-200...+600 °C
L	0...+850 °C
5	0...+1000 °C

Note: Some configurations are unavailable.  
Your WIKA sales person will notify you if you have made an incorrect selection



13 14 15 16 17 18 19 20 21 22

### 13 Lead wire insulation

N	PVC jacket
O	PVC jacket, shielded
D	PVC armour over Teflon®
J	Silicon jacket
M	Silicon jacket, shielded
T	Teflon® jacket
L	Teflon® jacket, shielded
S	Stainless steel braid over Teflon®
G	Teflon® armour over Teflon®
F	Individual Teflon® leads
B	Armoured Teflon®
H	Fibreglass jacket
E	Teflon® armour over fibreglass
K	Stainless steel braid over fibreglass
C	Individual fibreglass leads
A	Armoured fibreglass
P	MI-cable conductor wire

### 14 Termination

1	Stripped leads
2	Spade lugs
D	3-pin-plug
K	3-pin-plug DIN Barnant (male)
S	3-pin DIN Tegam/Keithley
T	4-pin DIN Tegam/Keithley
M	Miniature 3-pin-plug (male)
F	Lemosa plug size 1 S (male)
G	Lemosa plug size 2 S (male)
I	Lemosa plug size 1 S (female)
J	Lemosa plug size 2 S (female)
L	Screw-in-plug (male)

### 15 Termination accessories

F	Cord grip
A	Braze adapter
C	Cable clamp
D	Cable clamp and weatherproof boot
E	Dual compression adapter
G	Hex crimp adapter
H	Hex crimp adapter and weatherproof boot
I	Compression adapter
J	Compression adapter and weatherproof boot
K	Wire clamp
L	Wire clamp and weatherproof boot
M	Mini wire clamp
Z	Without

### 16 Miscellaneous options

S	Strain relief spring
R	Retractable cord
I	Inline transition
Z	Without

### 17 W-Dimension (W)

*****	Please specify (e.g. 84 mm = 00084) (e.g. 9.5 inch = 00095)
ZZZZZ	Without

### 18 X-Dimension (X)

****	Please specify (e.g. 84 mm = 0084) (e.g. 9.5 inch = 0950)
ZZZZ	Without

### 19 Y-Dimension (Y)

****	Please specify (e.g. 84 mm = 0084) (e.g. 9.5 inch = 0095)
ZZZZ	Without

### 20 A-Dimension (A)

*****	Please specify (e.g. 84 mm = 00084) (e.g. 9.5 inch = 00950)
-------	--

### 21 Certificates

1	Quality certificates
Z	Without

### 22 Additional order details

T	Additional text
Z	Without

# WIKA worldwide

## North America

### Canada

WIKA Instruments Canada Ltd.  
Edmonton, Alberta  
Tel.: (+1) 780 463 7035  
Fax: (+1) 780 462 0017  
E-mail: info@wika.ca  
www.wika.ca

### Mexico

Instrumentos WIKA México,  
S.A. de C.V.  
Álvaro Obregón  
Tel.: (+52) 55 5020 5300  
Fax: (+52) 55 5020 5301  
E-mail: ventas@wika.com  
www.wika.com.mx

### USA

WIKA Instrument Corporation  
Lawrenceville, Georgia  
Tel.: (+1) 770 513 8200  
Fax: (+1) 770 338 5118  
E-mail: info@wika.com  
www.wika.com

### USA

WIKA Instrument Corporation  
Houston Facility  
Deer Park, Texas  
Tel.: (+1) 713 475 0022  
Fax: (+1) 713 475 0011  
E-mail: info@wikahouston.com  
www.wika.com

## South America

### Argentina

WIKA Argentina S.A.  
Buenos Aires  
Tel.: (+54) 11 4730-1800  
Fax: (+54) 11 4761-0050  
E-mail: info@wika.com.ar  
www.wika.com.ar

### Brazil

WIKA DO BRASIL  
Iperó - SP  
Tel.: (+55) 15 3459 9700  
Fax: (+55) 15 3266 1650  
E-mail: marketing@wika.com.br  
www.wika.com.br

## Europe

### Austria

WIKA Meßgerätevertrieb  
Ursula Wiegand GmbH & Co. KG  
Wien  
Tel.: (+43) 1-8 69 16 31  
Fax: (+43) 1-8 69 16 34  
E-mail: info@wika.at  
www.wika.at

### Benelux

WIKA Benelux  
Echt  
Tel.: (+31) 475 53 55 00  
Fax: (+31) 475 53 54 46  
E-mail: info@wika.nl  
www.wika.nl

### Bulgaria

WIKA Bulgaria EOOD  
Sofia  
Tel.: (+359) 2 82138-10  
Fax: (+359) 2 82138-13  
E-mail: t.antonov@wika.bg  
www.wika.bg

### Finland

WIKA Finland Oy  
Helsinki  
Tel.: (+358) 9-682 49 20  
Fax: (+358) 9-682 49 270  
E-mail: info@wika.fi  
www.wika.fi

### France

WIKA Instruments s.a.r.l.  
Eragny-sur-Oise  
Tel.: (+33) 1/34 30 84 84  
Fax: (+33) 1/34 30 84 94  
E-mail: info@wika.fr  
www.wika.fr

### Germany - Head Office

WIKA Alexander Wiegand  
GmbH & Co. KG  
Klingenberg  
Tel.: (+49) 9372 132-0  
Fax: (+49) 9372 132-406  
E-mail: info@wika.de  
www.wika.de

### Italy

WIKA Italiana SRL  
Arese (Milano)  
Tel.: (+39) 02-93 86 11  
Fax: (+39) 02-93 86 174  
E-mail: info@wika.it  
www.wika.it

### Poland

Kujawska Fabryka Manometrow  
Wloclawek  
Tel.: (+48) 54230 11 00  
Fax: (+48) 54230 11 01  
E-mail: info@manometry.com.pl  
www.manometry.com.pl

### Romania

WIKA Instruments Romania S.R.L.  
Bucuresti  
Tel.: (+40) 21-456 31 38  
Fax: (+40) 21-456 31 37  
E-mail: m.anghel@wika.ro  
www.wika.ro

### Russia

ZAO "WIKA MERA"  
Moskau  
Tel.: (+7) 495-648 01 80  
Fax: (+7) 495-648 01 81  
E-mail: info@wika.ru  
www.wika.ru

### Serbia

WIKA Merna Tehnika d.o.o.  
Beograd  
Tel.: (+381) 11 2763 722  
Fax: (+381) 11-753 674  
E-mail: info@wika.co.yu  
www.wika.co.yu

### Spain

Instrumentos WIKA, S.A.  
Sabadell (Barcelona)  
Tel.: (+34) 902 902 577  
Fax: (+34) 933 938 666  
E-mail: info@wika.es  
www.wika.es

### Switzerland

MANOMETER AG  
Hitzkirch  
Tel.: (+41) 41 919 72 72  
Fax: (+41) 41 919 72 73  
E-mail: info@manometer.ch  
www.manometer.ch

### Ukraine

WIKA Pribor GmbH  
Donetsk  
Tel.: (+38) 062 345-34-16  
Fax: (+38) 062 345-34-17  
E-mail: info@wika.donetsk.ua  
www.wika.donetsk.ua

### United Kingdom

WIKA Instruments Limited  
Merstham, Redhill  
Tel.: (+44) (0) 1737 644 008  
Fax: (+44) (0) 1737 644 403  
E-mail: info@wika.co.uk  
www.wika.co.uk

## Asia

### China

WIKA International Trading  
(Shanghai) Co., Ltd.  
Shanghai  
Tel.: (+86) 21 53 85 25 72  
Fax: (+86) 21 53 85 25 75  
E-mail: wikash@online.sh.cn

### India

WIKA Instruments India Pvt. Ltd.  
Wagholi, Pune  
Tel.: (+91) 20-66293200  
Fax: (+91) 20-66293325  
E-mail: sales@wika.co.in  
www.wika.co.in

### Japan

WIKA Japan K.K.  
Minato-ku, Tokyo  
Tel.: (+81) 3-5439-6673  
Fax: (+81) 3-5439-6674  
E-mail: t-shimane@wika.co.jp

### Kazakhstan

TOO WIKA Kazakhstan  
Almaty  
Tel.: (+7) 3272 33 08 48  
Fax: (+7) 3272 78 99 05  
E-mail: info@wika.kz  
www.wika.kz

### Korea

WIKA Korea Ltd.  
Seoul  
Tel.: (+82) 2-869 05 05  
Fax: (+82) 2-869 05 25  
E-mail: info@wika.co.kr  
www.wika.co.kr

### Malaysia

WIKA Instrumentation (M) Sdn Bhd  
Puchong, Selangor  
Tel.: (+03) 80631080  
Fax: (+03) 80631070  
E-mail: info@wika.com.my  
www.wika.com.my

### Singapore

WIKA Instrumentation PTE. LTD.  
Singapore  
Tel.: (+65) 6844 55 06  
Fax: (+65) 6844 55 07  
E-mail: info@wika.com.sg  
www.wika.com.sg

### Taiwan

WIKA Instrumentation Taiwan Ltd.  
Pinjen, Taoyuan  
Tel.: (+886) 3 420 6052  
Fax: (+886) 3 490 0080  
E-mail: info@wika.com.tw  
www.wika.com.tw

## Africa/Middle East

### Egypt

WIKA Alexander Wiegand  
GmbH & Co. KG  
Nasr City, Cairo  
Tel.: (+20) 2-227 33 140  
Fax: (+20) 2-227 33 140  
E-mail: Ahmed.Azab@wika.de

### Iran

WIKA Instrumentation Pars  
Kish Ltd.  
Tehran  
Tel.: (+98) 21- 8852 6730 3  
Fax: (+98) 21- 8875 7413  
E-mail: info@wika.ir  
www.wika.ir

### South Africa

WIKA Instruments (Pty.) Ltd.  
Gardenview, Johannesburg  
Tel.: (+27) 11-621 00 00  
Fax: (+27) 11-621 00 59  
E-mail: sales@wika.co.za  
www.wika.co.za

### United Arab Emirates

WIKA Middle East FZE  
Jebel Ali, Dubai  
Tel.: (+971) 4-883 90 90  
Fax: (+971) 4-883 91 98  
E-mail: wikame@emirates.net.ae

## Australia

### Australia

WIKA Australia Pty. Ltd.  
Rydalmere NSW  
Tel.: (+61) 2 8845 5222  
Fax: (+61) 2 9684 4767  
E-mail: sales@wika.com.au  
www.wika.com.au

**WIKAI**

Part of your business