

# Twin-Temp Thermometer

## Twin-Temp Transmitting Accessories and Options

### Models TT.32 & TT.52

WIKA Datasheet TT.32/TT.52

#### Application

Designed for applications requiring local readability using a mechanical measuring element while affording an additional means of electronic data acquisition from the same instrument.

#### Sizes

3" (76.2 mm) - Type TT.32

5" (127 mm) - Type TT.52

#### Accuracy

± 1.0% of measurement range

#### Ranges

-40 °F to 550 °F (and equivalent °C)

\* 0 °F to 750 °F with T/C K

#### Over/Under Range Protection

Temporary over or under range of 50% (maximum exposure 500 °F)

\* Accept high temp T/C K option

#### Standard Features

##### Connection

Material: 304 SS

Type TT.32 and TT.52 - All angle

1/2" NPT standard

##### Stem

Material: 304 SS

Diameter: 1/4" (6.35 mm)

Length: T/C : 2 1/2" to 48" (63.5 mm to 1,219.2 mm)

RTD: 4" to 48" (63.5 mm to 1,219.2 mm)

##### Measuring Element (Mechanical)

Bi-metal helix

##### Measuring Element (Electrical)

###### Thermocouple

Type J, K, E, T Grounded Junction Thermocouple standard

Ungrounded T/C available

###### RTD

Platinum 100-ohm, DIN curve (0.00385 Ohm/Ohm/°C)

(3 wire standard configuration)

##### Case

Material: 304 stainless steel

External reset slotted hex head on back of case

##### Dial

White aluminum, dished, with black markings

##### Pointer

Black aluminum

##### Standard Scales

Single: Fahrenheit or °C

Dual: Fahrenheit (outer) and °C (inner)



Twin-Temp Model TT.52 shown

##### Window

Flat instrument glass

##### Order Options

###### Weather-proof Housing and Plug

7/8-20 UNEF threaded barrel with bushing and compression nut. Provides environmental protection to thermocouple/RTD connection.

###### Electrical Connection With Lead Wire (1/2 NPT)

Available in thermocouple or RTD in 6" increments. Allows for site installation using other enclosures or piping systems.

###### Thermocouple Enclosure Head

A protective enclosure threads onto the optional 1/2 NPT electrical connection. The housing protects electrical connections from the environment. Houses a 4-20 mA transmitter or terminal block. Aluminum housing is standard.

###### Terminal Block

Provides a connection point for the thermocouple or RTD. Mounts in thermocouple head with 2 screws.

###### 4-20 mA Transmitter

Refer to transmitter specifications

##### Additional Options

Thermowells

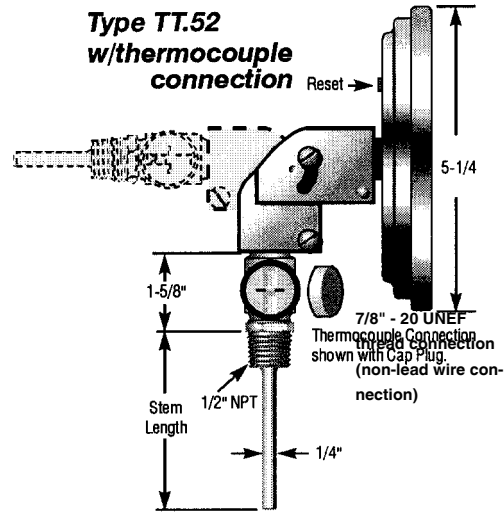
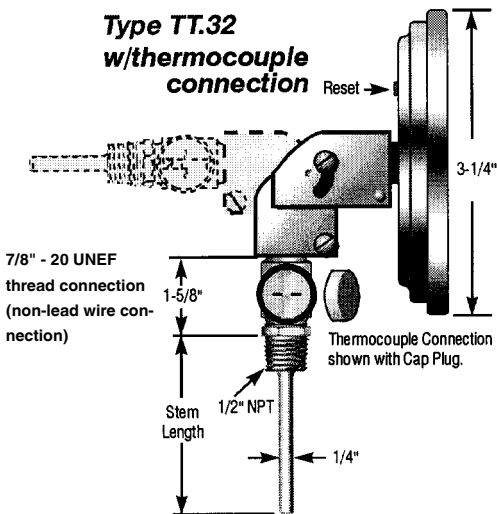
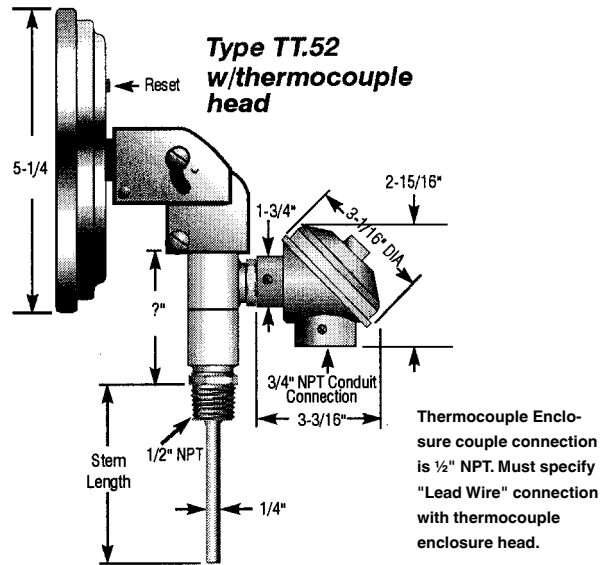
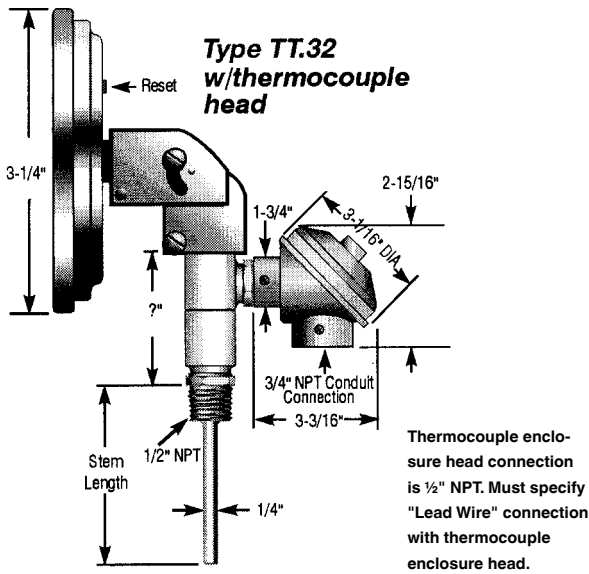
Acrylic, Lexan, and safety glass window

Calibration certification traceable to NIST

##### Warranty

Limited one year warranty as stated in WIKA's Terms & Conditions of Sale

**Dimensions:**



RTD connection not shown

(RTD connection not shown)

